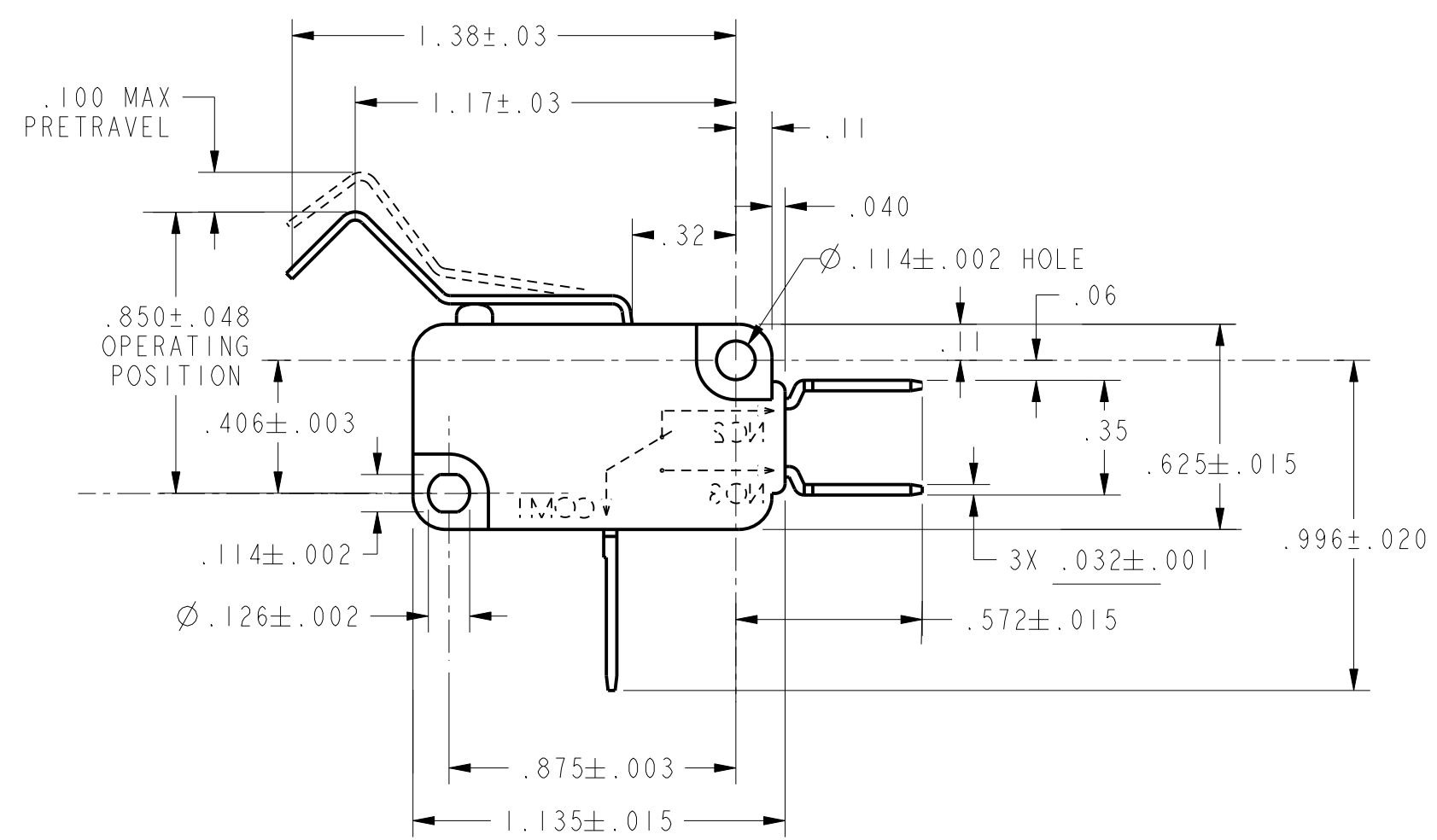
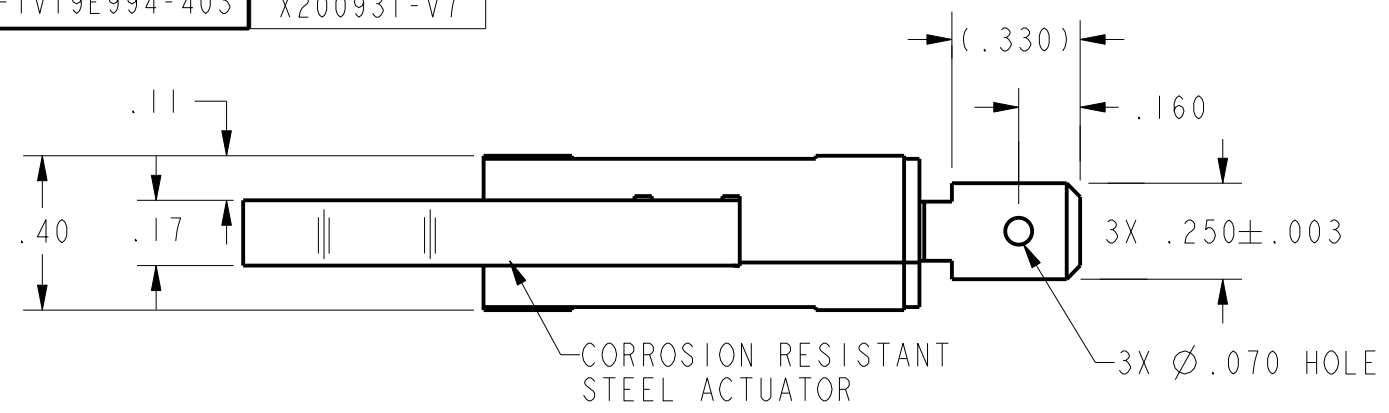


HONEYWELL
PART NUMBER
V7-1V19E994-403

CW-B9071
SUPERCEDES:
X200931-V7

REV	DOCUMENT	CHANGED BY	CHECK
A	0033781	MST 14SEP07	PSR



CHARACTERISTICS	
OPERATING FORCE	118 GRAMS MAX
RELEASE FORCE	8 GRAMS MIN
DIFFERENTIAL TRAVEL	.022 MAX
OVERTRAVEL	.058 MIN
RELEASE TRAVEL	.013 MIN

ELECTRICAL DATA	
CONTACT ARRANGEMENT S P D T	
21A 1HP 125, 250, 277 VAC 2HP 250, 277 VAC	

DESIGN UNITS: INCH			
TOLERANCES UNLESS NOTED:			
NO PLACES	X	±	0.400
ONE PLACE	.X	±	0.03
TWO PLACE	.XX	±	0.015
THREE PLACE	.XXX	±	0.005
FOUR PLACE	.XXXX	±	0.0005
ANGLES	X	±	3
THIRD ANGLE PROJECTION			

DRAWN	SJS	08AUG07
CHECK	-	08AUG07
THIS DRAWING COVERS A PROPRIETARY ITEM AND IS THE PROPERTY OF HONEYWELL. THIS DRAWING IS NOT TO BE COPIED OR USED WITHOUT THE PERMISSION OF HONEYWELL.		
INTERPRET PER ASME Y14.5M-1994 OTHER HONEYWELL ENGINEERING STANDARDS MAY APPLY		
Pro/ENGINEER	2D	

Honeywell			
TITLE SWITCH - BASIC			
SIZE	TYPE	DRAWING NAME	REV
B	I	V7-1V19E994-403	A
SCALE	2:1	SHEET	1 OF 1