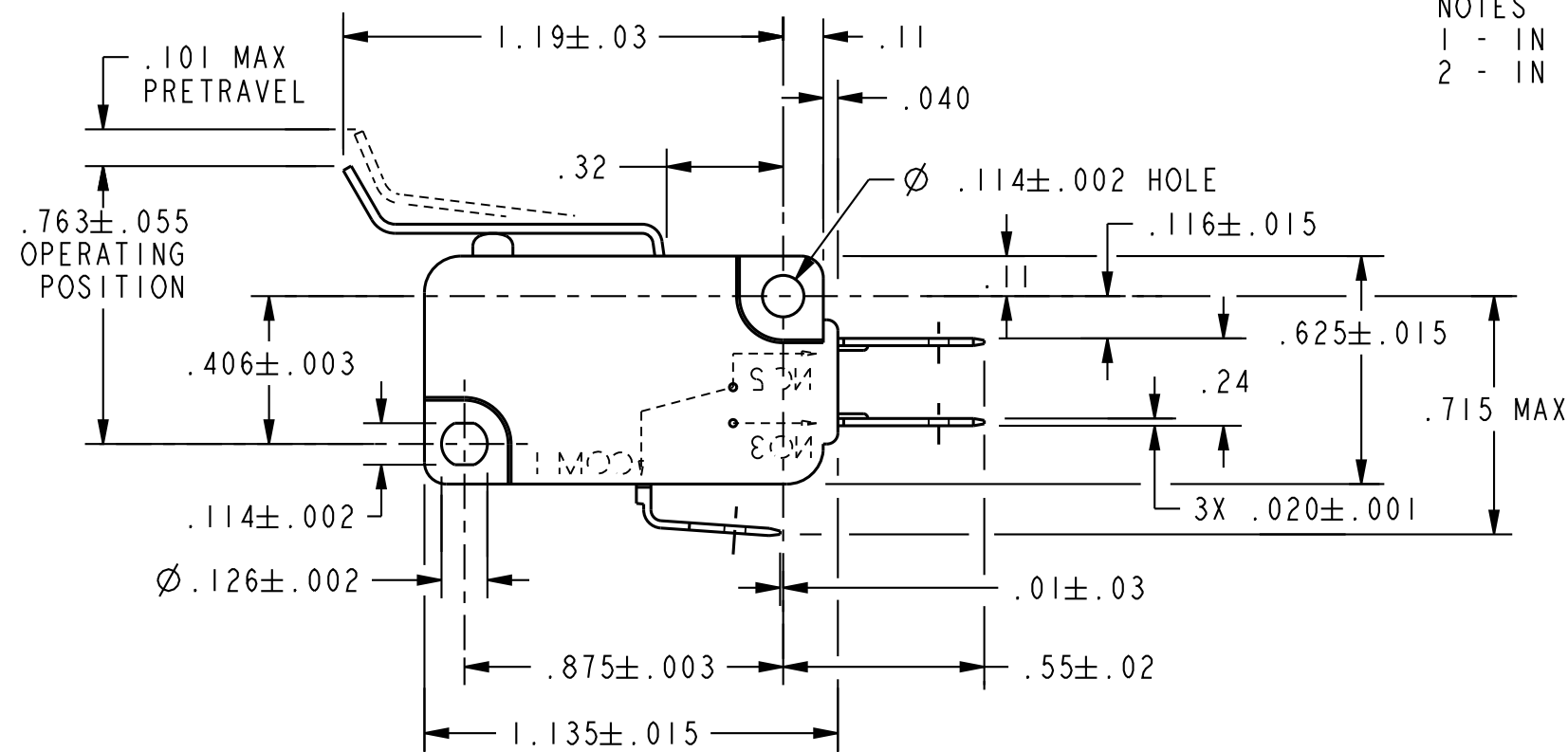
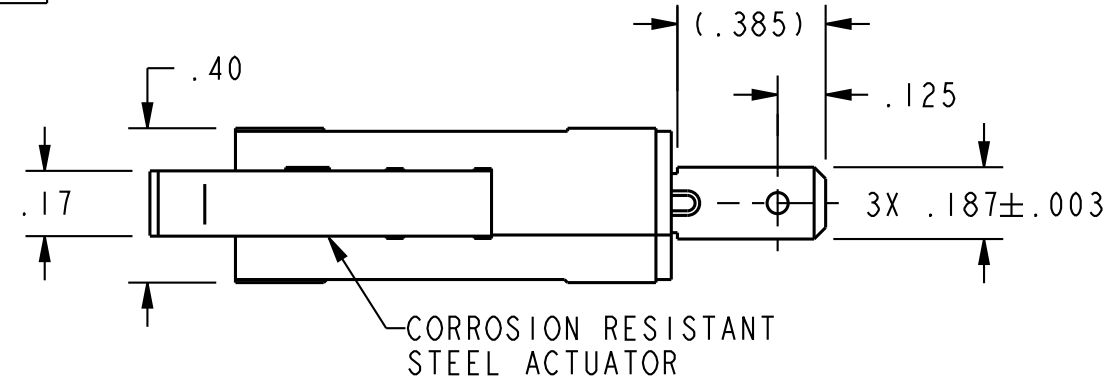


REV	DOCUMENT	CHANGED BY	CHECK
3	0085964	SBH 27JAN12	CMH



- NOTES  
 1 - IN INSPECTION, DO NOT BURN OUT - GOLD CONTACTS  
 2 - IN INSPECTION, DO NOT EXCEED 10 VDC, .1A RESISTIVE LOAD

CHARACTERISTICS	
OPERATING FORCE-----	101 GRAMS MAX
RELEASE FORCE-----	10 GRAMS MIN
DIFFERENTIAL TRAVEL-----	.022 MAX
OVERTRAVEL-----	.058 MIN
RELEASE TRAVEL-----	.013 MIN

ELECTRICAL DATA	
CONTACT ARRANGEMENT S P D T	
L142	
0.1A 125 VAC	

UNLESS OTHERWISE SPECIFIED TOLERANCES ARE:			
	<input checked="" type="checkbox"/> US (inch) CUSTOMARY	<input type="checkbox"/> SI (mm) METRIC	
NO PLACE	X	±.040	±1
ONE PLACE	.X	±.030	±0,4
TWO PLACE	.XX	±.015	±0,15
THREE PLACE	.XXX	±.005	±
ANGLES		±	±
RAW MATERIAL-COMMERCIAL STANDARD			
THIRD ANGLE PROJECTION			

DRAWN	TSM	25JAN01
CHECK	SAV	25JAN01
THIS DRAWING COVERS A PROPRIETARY ITEM AND IS THE PROPERTY OF HONEYWELL. THIS DRAWING IS NOT TO BE COPIED OR USED WITHOUT THE PERMISSION OF HONEYWELL.		
SIZE	DWG TYPE	DRAWING NAME
<b>B</b>	<b>I</b>	<b>V7-1S19D8-369</b>
PTC 2D	ASME Y14.5M-1994	

<b>Honeywell</b>			
TITLE <b>SWITCH, BASIC</b>			
REV	DRAWING NAME		REV
<b>3</b>	<b>V7-1S19D8-369</b>		<b>3</b>
SCALE	NONE	WEIGHT	SHEET 1 OF 1