

**MICRO SWITCH**  
a Honeywell Division

FED. MFG. CODE 91929

SWITCH-BASIC

CATALOG LISTING

V7-1E15D8-022-1

CW-B5930

CATALOG LISTING  
V7-1E15D8-022-1

REPLACES X88688-V7

RELEASE NO. PR-18960

ISSUE  
**M**

3

REVISIONS

A	CO-176296	30 JAN 12	CHECK
	LJF	18 NOV 93	
B	0085964	30 JAN 12	CHECK
	SBH		

CHECK

30 JAN 12

CMH

CHECK

JAN 91

CHECK

JAN 91

CHECK

JAN 91

CHECK

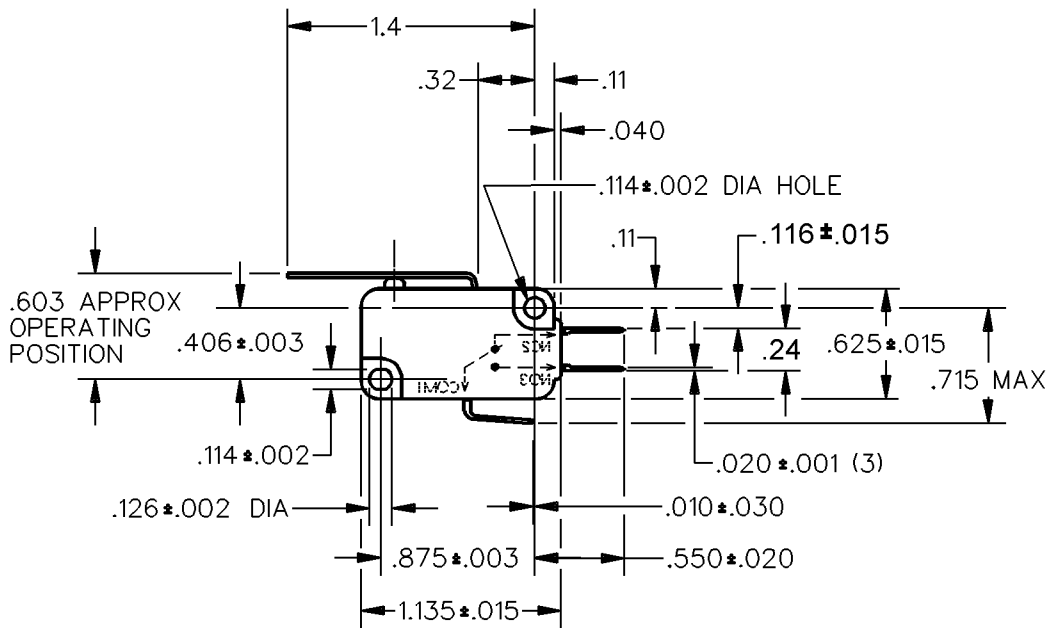
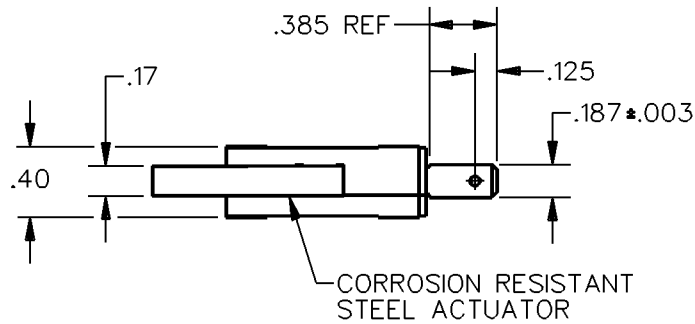
JAN 91

CHECK

JAN 91

CHECK

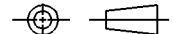
RASTER  
DRAWN



NOTES  
1 - NO BRANDING ON SWITCH

THIS DRAWING COVERS A PROPRIETARY ITEM AND IS THE PROPERTY OF MICRO SWITCH, A DIVISION OF HONEYWELL. THIS DRAWING IS NOT TO BE COPIED OR USED WITHOUT THE APPROVAL OF MICRO SWITCH.

THIRD ANGLE PROJECTION



CHARACTERISTICS

ELECTRICAL DATA

SCALE NONE

DO NOT SCALE PRINT

OPERATING FORCE — — — 82 GRAMS (APPROX)

CONTACT ARRANGEMENT  
S P D T

UNLESS OTHERWISE SPECIFIED TOLERANCES ARE

ONE PLACE (.0) ± .030

TWO PLACE (.00) ± .015

THREE PLACE (.000) ± .005

ANGLES ±

WEIGHT