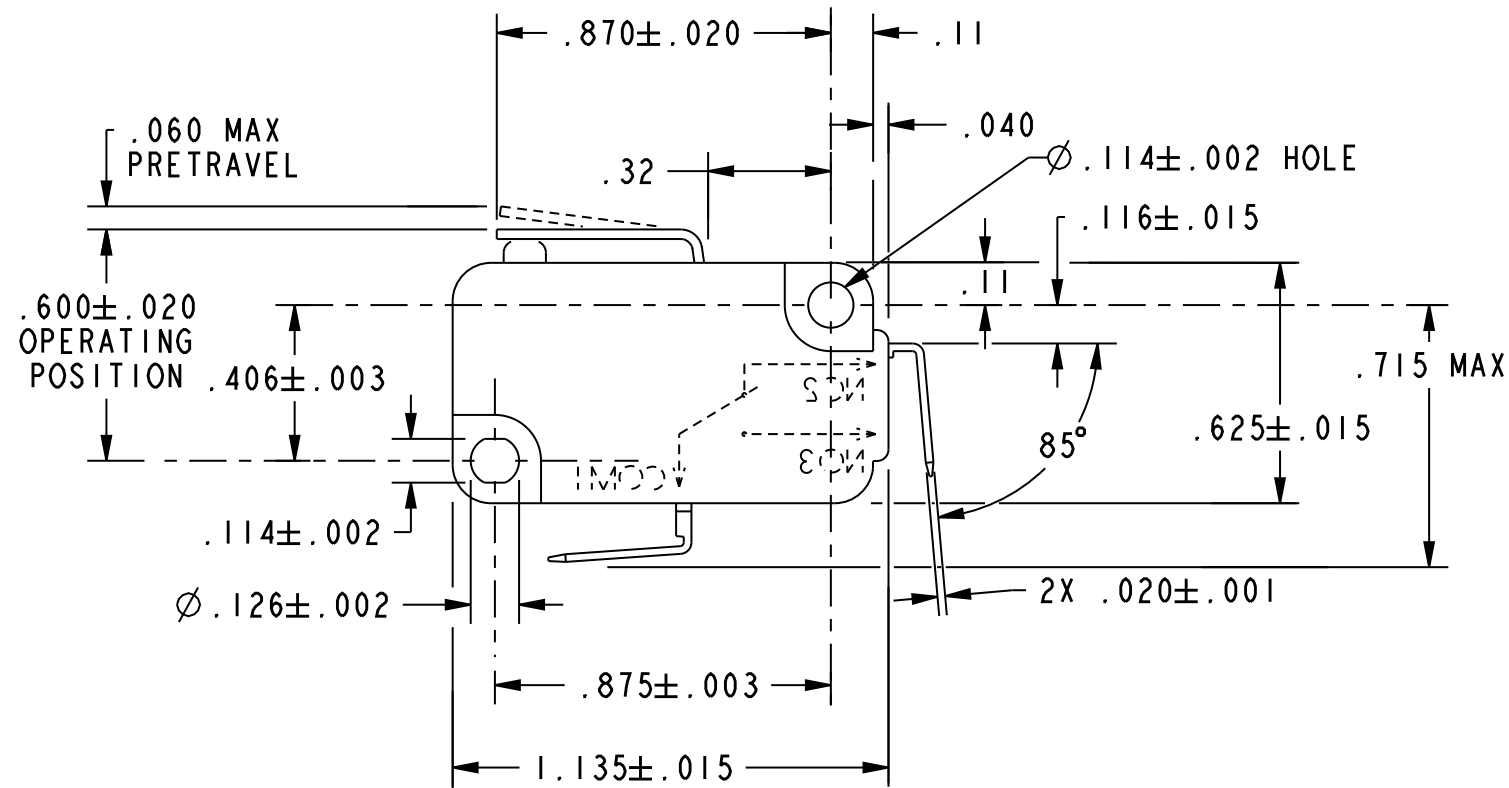
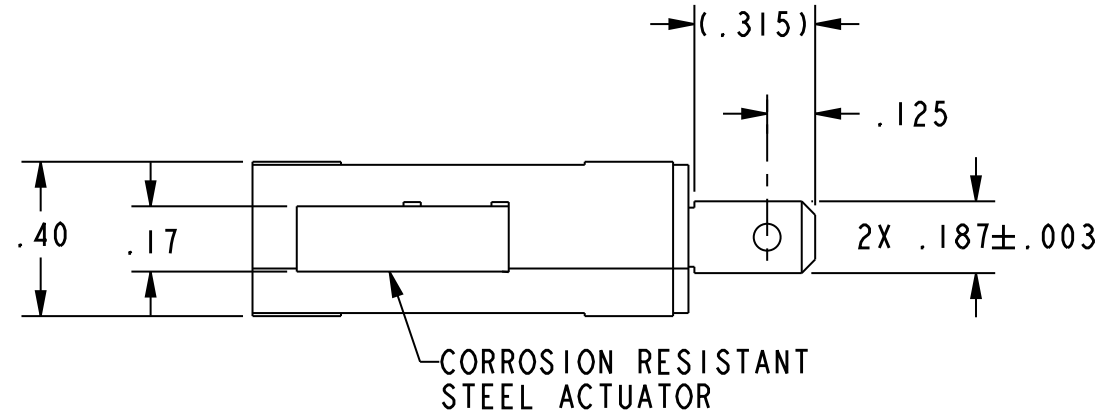


CW-B5618

| REV | DOCUMENT | CHANGED BY | CHECK |
|-----|----------|------------|-------|
| 5 | 0059959 | LK 23DEC09 | CMH |



| CHARACTERISTICS | |
|---------------------|---------------|
| OPERATING FORCE | 160 GRAMS MAX |
| RELEASE FORCE | 15 GRAMS MIN |
| DIFFERENTIAL TRAVEL | .015 MAX |
| OVERTRAVEL | .035 MIN |
| RELEASE TRAVEL | .010 MIN |

| ELECTRICAL DATA | |
|---------------------|---------------------------------|
| CONTACT ARRANGEMENT | |
| S P N C | |
| L215 | 15.1A 1/2HP 125, 250 OR 277 VAC |
| | 1/2A 125 VDC |
| | 1/4A 250 VDC; 5A 125 VAC "L" |

UNLESS OTHERWISE SPECIFIED TOLERANCES ARE:

| | | |
|------------------------------------|---|---|
| | <input checked="" type="checkbox"/> US (inch) CUSTOMARY | <input type="checkbox"/> SI (mm) METRIC |
| NO PLACE | X | ±.040 ±1 |
| ONE PLACE | .X | ±.030 ±0.4 |
| TWO PLACE | .XX | ±.015 ±0.15 |
| THREE PLACE | .XXX | ±.005 ± |
| ANGLES | | ± |
| RAW MATERIAL - COMMERCIAL STANDARD | | |
| THIRD ANGLE PROJECTION | | |

| | | |
|--|------------------|--------|
| DRAWN | TSM | IAPR03 |
| CHECK | SAV | IAPR03 |
| THIS DRAWING COVERS A PROPRIETARY ITEM AND IS THE PROPERTY OF HONEYWELL. THIS DRAWING IS NOT TO BE COPIED OR USED WITHOUT THE PERMISSION OF HONEYWELL. | | |
| DIMENSIONS ARE TO BE MET BEFORE PROTECTIVE COATINGS ARE APPLIED | | |
| PTC 2D | ASME Y14.5M-1994 | |

| | | | |
|-------------------------------|----------|------------------------|--------------|
| Honeywell | | | |
| TITLE SWITCH, BASIC | | | |
| SIZE | DWG TYPE | DRAWING NAME | REV |
| B | I | V7-1C37D855-002 | 5 |
| SCALE | NONE | WEIGHT | SHEET 1 OF 1 |