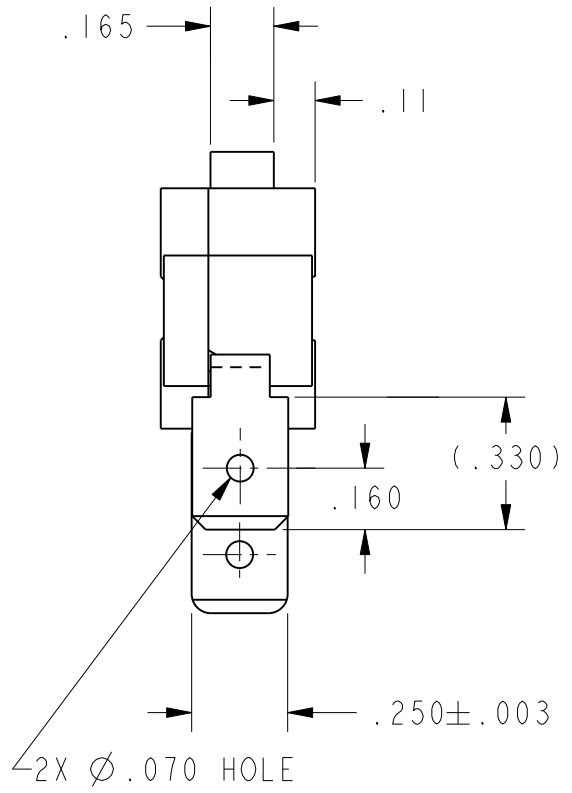
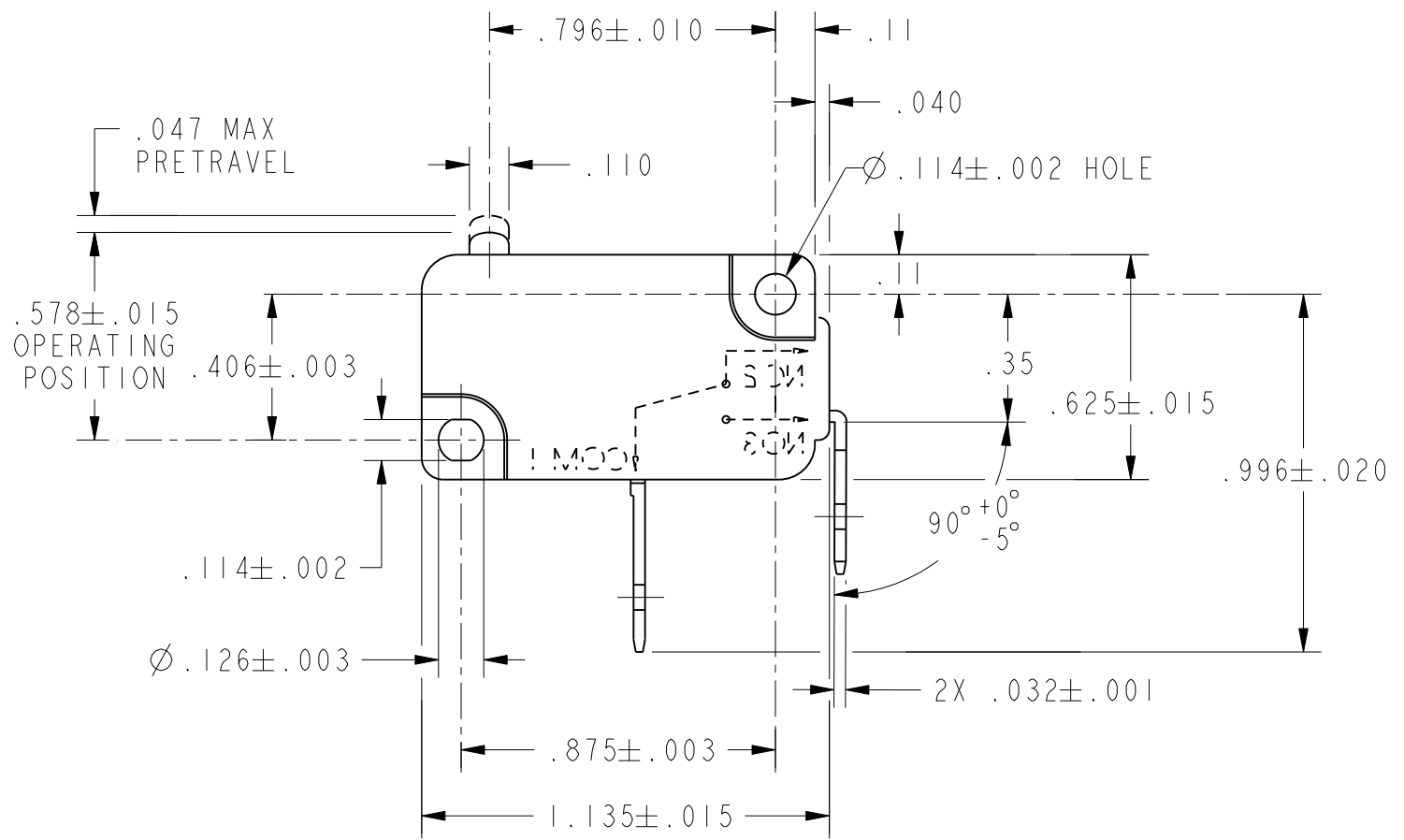
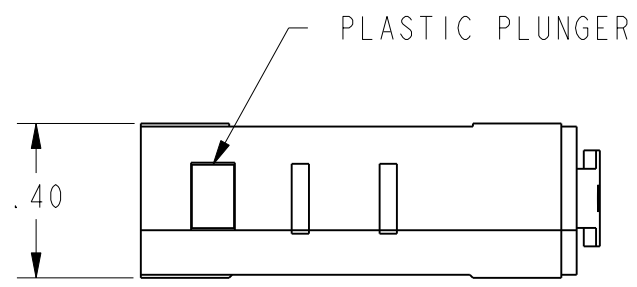


CW-B1729

REPLACES: X114692-V7

REV	DOCUMENT	CHANGED BY	CHECK
C	0041144	SS 26JUN08	BLR



CHARACTERISTICS	
OPERATING FORCE-----	150 GRAMS MAX
RELEASE FORCE-----	25 GRAMS MIN
DIFFERENTIAL TRAVEL-----	.002-.010
OVERTRAVEL-----	.050 MIN
FREE POSITION-----	.625 MAX
RELEASE TRAVEL-----	.010 MIN

ELECTRICAL DATA	
CONTACT ARRANGEMENT S P N O	
L215	15.1A 1/2HP 125, 250 OR 277 VAC 1/2A 125 VDC 1/4A 250 VDC; 5A 125 VAC "L"

UNLESS OTHERWISE SPECIFIED TOLERANCES ARE:

	<input checked="" type="checkbox"/> US (inch) CUSTOMARY	<input type="checkbox"/> SI (mm) METRIC
NO PLACE	X	±.040 ±1
ONE PLACE	.X	±.030 ±0,4
TWO PLACE	.XX	±.015 ±0,15
THREE PLACE	.XXX	±.005 ±
ANGLES		±
RAW MATERIAL-COMMERCIAL STANDARD		

THIRD ANGLE PROJECTION

DRAWN	WJC	26AUG03
CHECK	ASD	26AUG03
THIS DRAWING COVERS A PROPRIETARY ITEM AND IS THE PROPERTY OF HONEYWELL. THIS DRAWING IS NOT TO BE COPIED OR USED WITHOUT THE PERMISSION OF HONEYWELL.		
DIMENSIONS ARE TO BE MET BEFORE PROTECTIVE COATINGS ARE APPLIED		
PTC 2D	ASME Y14.5M-1994	

Honeywell

TITLE
SWITCH, BASIC

SIZE	DWG TYPE	DRAWING NAME	REV
B	I	V7-1C27D94	C
SCALE	2:1	WEIGHT	SHEET 1 OF 1