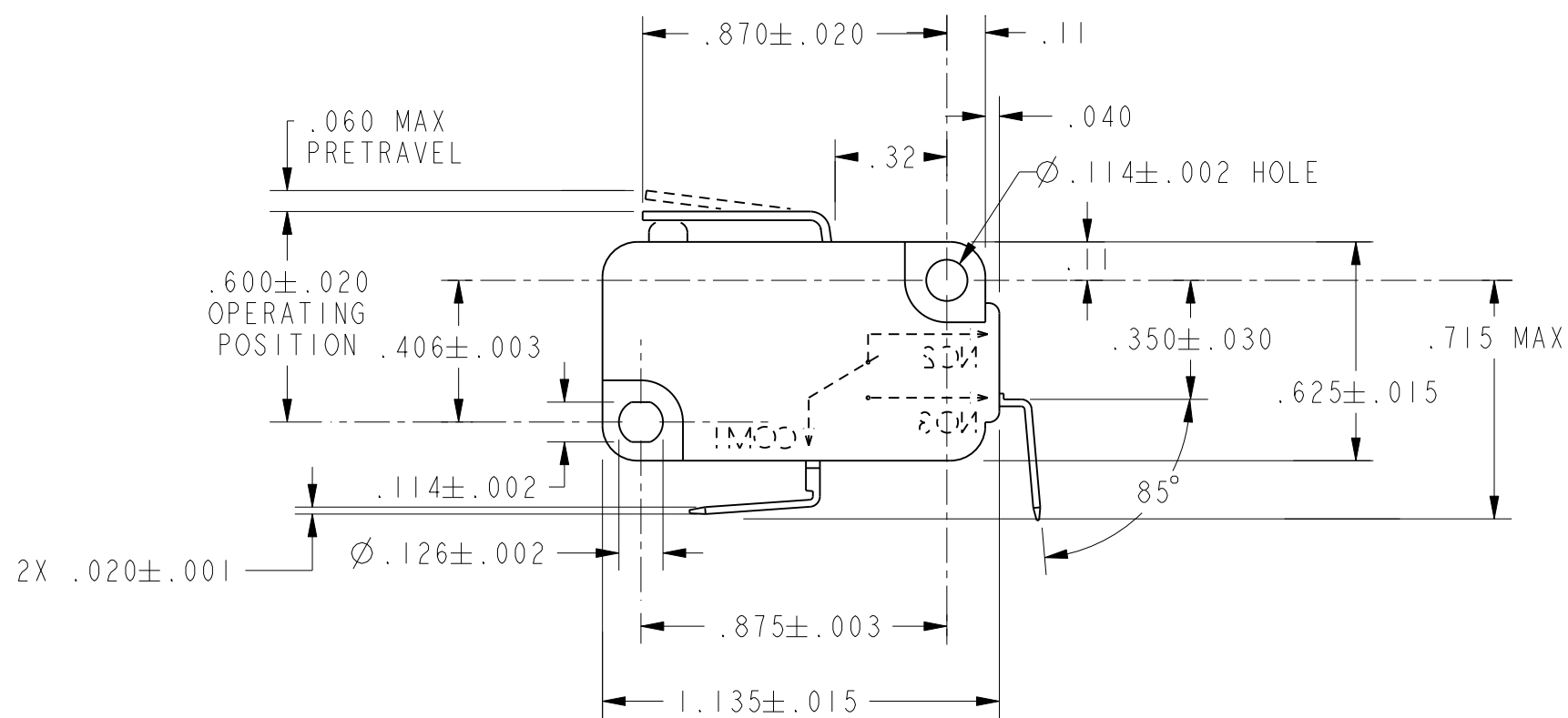
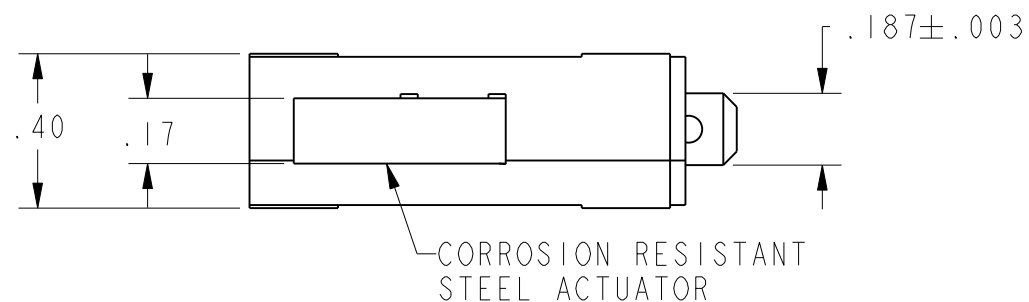


HONEYWELL
PART NUMBER

REV	DOCUMENT	CHANGED BY	CHECK
3	0041144	SS 26JUN08	BLR



RELEASE NO. PR-20134	CATALOG LISTING CW-B5536
REPLACES X95998-V7	

CHARACTERISTICS
OPERATING FORCE-----160 GRAMS MAX
RELEASE FORCE -----15 GRAMS MIN
DIFFERENTIAL TRAVEL-----.015 MAX
OVERTRAVEL-----.035 MIN
RELEASE TRAVEL-----.009 MIN

ELECTRICAL DATA
CONTACT ARRANGEMENT S P N O
L215
15.1A 1/2HP 125, 250 OR 277 VAC
1/2A 125 VDC
1/4A 250 VDC; 5A 125 VAC "L"

DESIGN UNITS: INCH
TOLERANCES UNLESS NOTED:
NO PLACES X ±
ONE PLACE .X ±
TWO PLACE .XX ±
THREE PLACE .XXX ±
ANGLES X ±
THIRD ANGLE PROJECTION

DRAWN	GRT	17AUG92
CHECK	WJC	28AUG92
THIS DRAWING COVERS A PROPRIETARY ITEM AND IS THE PROPERTY OF HONEYWELL. THIS DRAWING IS NOT TO BE COPIED OR USED WITHOUT THE PERMISSION OF HONEYWELL.		
INTERPRET PER ANSI Y14.5M-1982 OTHER HONEYWELL ENGINEERING STANDARDS MAY APPLY		
Pro/ENGINEER	2D	

Honeywell				
TITLE SWITCH, BASIC				
SIZE	TYPE	CAGE CODE	DRAWING NAME	REV
B	I	-	V7-1C27D855-002	3
SCALE	-		SHEET	1 OF 1