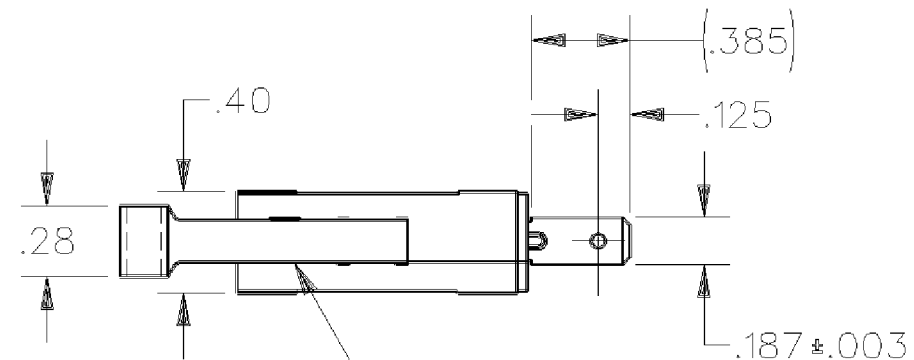
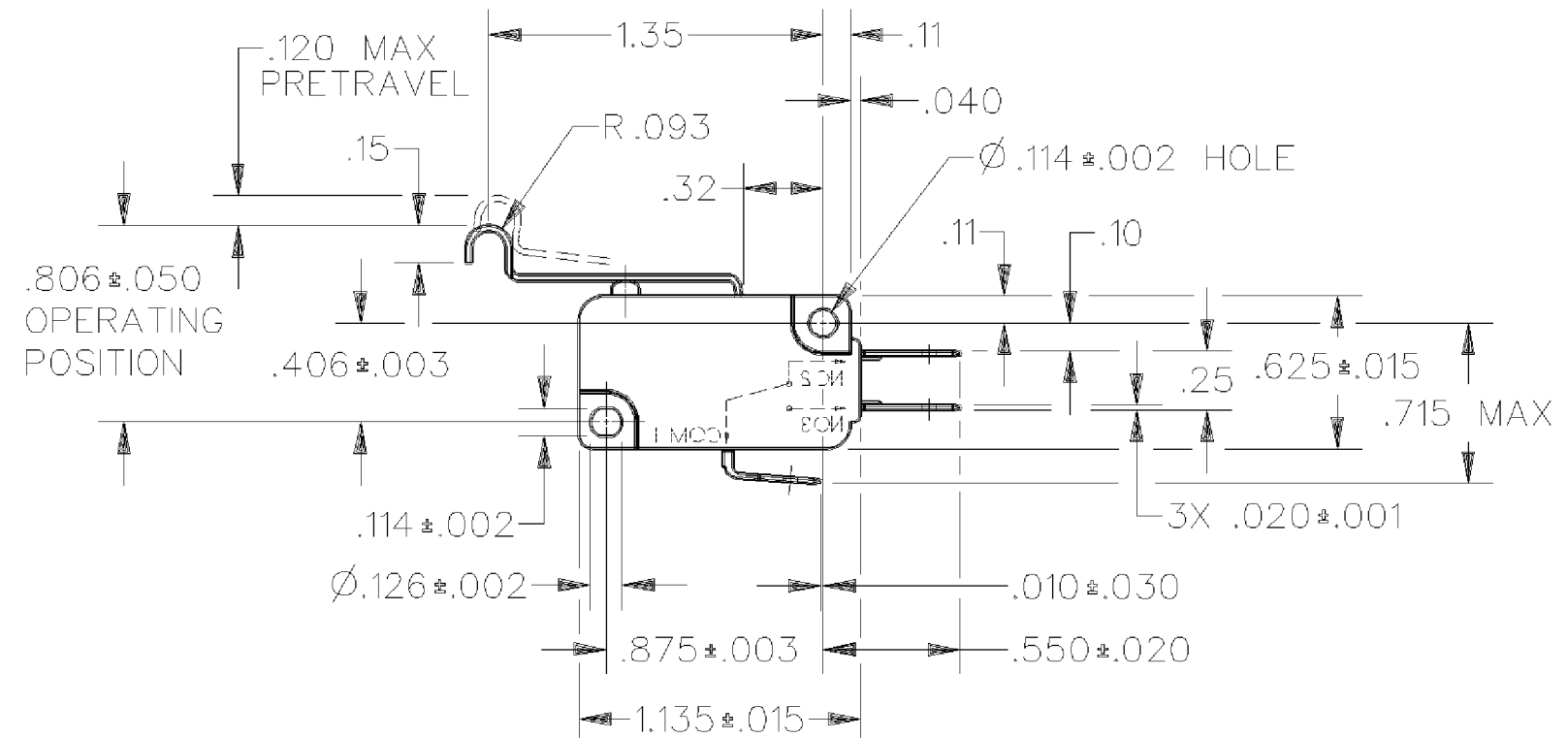


HONEYWELL  
PART NUMBER

REV	DOCUMENT	CHANGED BY	CHECK
2	0041135	VS 26JUN08	BLR



CORROSION RESISTANT  
STEEL ACTUATOR



RELEASE NO PR-21650	CATALOG LISTING V7-1C17D8-294
REPLACES X99528-V7	CW-B5421

CHARACTERISTICS	
OPERATING FORCE-----	86 GRAMS MAX
RELEASE FORCE-----	9 GRAMS MIN
DIFFERENTIAL TRAVEL-----	.027 MAX
OVERTRAVEL-----	.067 MIN
RELEASE TRAVEL-----	.016 MIN

ELECTRICAL DATA	
CONTACT ARRANGEMENT S P D T	
L215	
15.1A 1/2HP 125, 250 OR 277 VAC	
1/2A 125 VDC	
1/4A 250 VDC; 5A 125 VAC "L"	

DESIGN UNITS: INCH	
TOLERANCES UNLESS NOTED:	
NO PLACE	X ±
ONE PLACE	.X ±
TWO PLACE	.XX ±
THREE PLACE	.XXX ±
FOUR PLACE	.XXXX ±
ANGLES	±
THIRD ANGLE PROJECTION	

DRAWN	DCS	19APR95
CHECK	-	-
THIS DRAWING COVERS A PROPRIETARY ITEM AND IS THE PROPERTY OF HONEYWELL. THIS DRAWING IS NOT TO BE COPIED OR USED WITHOUT THE PERMISSION OF HONEYWELL.		
INTERPRET PER ANSI Y14.5M-1982 OTHER HONEYWELL ENGINEERING STANDARDS MAY APPLY		
RASTER		

<b>Honeywell</b>			
TITLE <b>SWITCH, BASIC</b>			
SIZE <b>B</b>	DWG TYPE <b>I</b>	DRAWING NAME V7-1C17D8-294	REV <b>2</b>
SCALE	-	WEIGHT	SHEET 1 OF 1