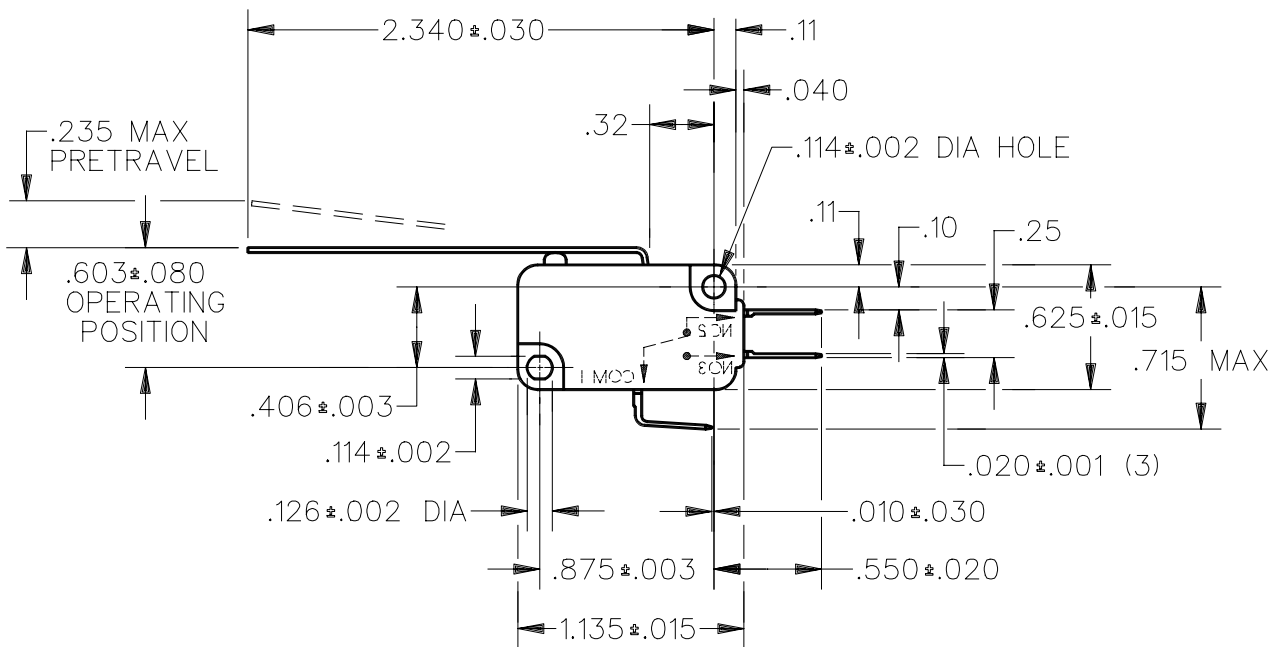
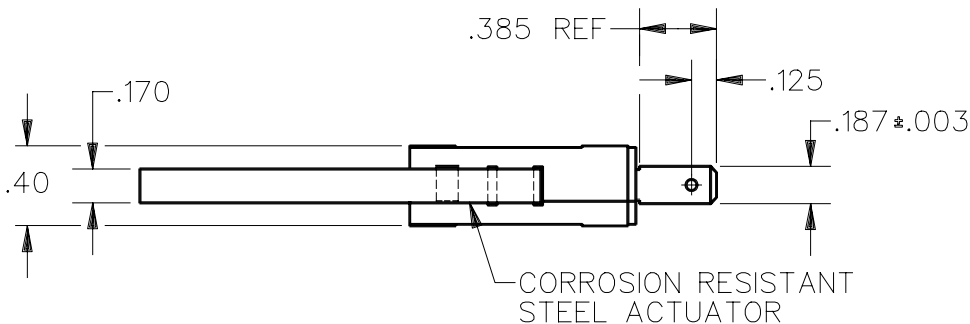


CATALOG LISTING
V7-1B17D8-048
 RELEASE NO. PR-18877
 REPLACES
M
 ISSUE
4
 CHECK
 REVISIONS
 A REL DWG PR18877 WJC 7 DEC 90
 B CO-70577 BAB 25 JUL 91
 C CO-76109 JWB 8 NOV 93
 CHECK
 10 DEC 90
 JAP
 CHECK
 7 DEC 90
 WJC
 DRAWN
 DDM/CAD

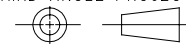


NOTES

1 - CAUTION: OVERTRAVEL FORCE ON LEVER MUST NOT RESULT IN AN OVERTRAVEL FORCE ON PLUNGER EXCEEDING 5 LBS.

THIS DRAWING COVERS A PROPRIETARY ITEM AND IS THE PROPERTY OF MICRO SWITCH, A DIVISION OF HONEYWELL. THIS DRAWING IS NOT TO BE COPIED OR USED WITHOUT THE APPROVAL OF MICRO SWITCH.

THIRD ANGLE PROJECTION



CHARACTERISTICS

OPERATING FORCE --- 50 GRAMS MAX
 RELEASE FORCE --- 4 GRAMS MIN
 DIFFERENTIAL TRAVEL --- .050 MAX
 OVERTRAVEL --- .115 MIN
 RELEASE TRAVEL --- .030 MIN

ELECTRICAL DATA

CONTACT ARRANGEMENT
 S P D T
 L156 11A 1/3HP 125, 250 OR 277 VAC
 1/2A 125 VDC, 1/4A 250 VDC
 4A 125 VAC "L"



SCALE FULL

DO NOT SCALE PRINT

UNLESS OTHERWISE SPECIFIED TOLERANCES ARE		
ONE PLACE (.)	± .030	
TWO PLACE (.00)	± .015	
THREE PLACE (.000)	± .005	
ANGLES	±	

WEIGHT