

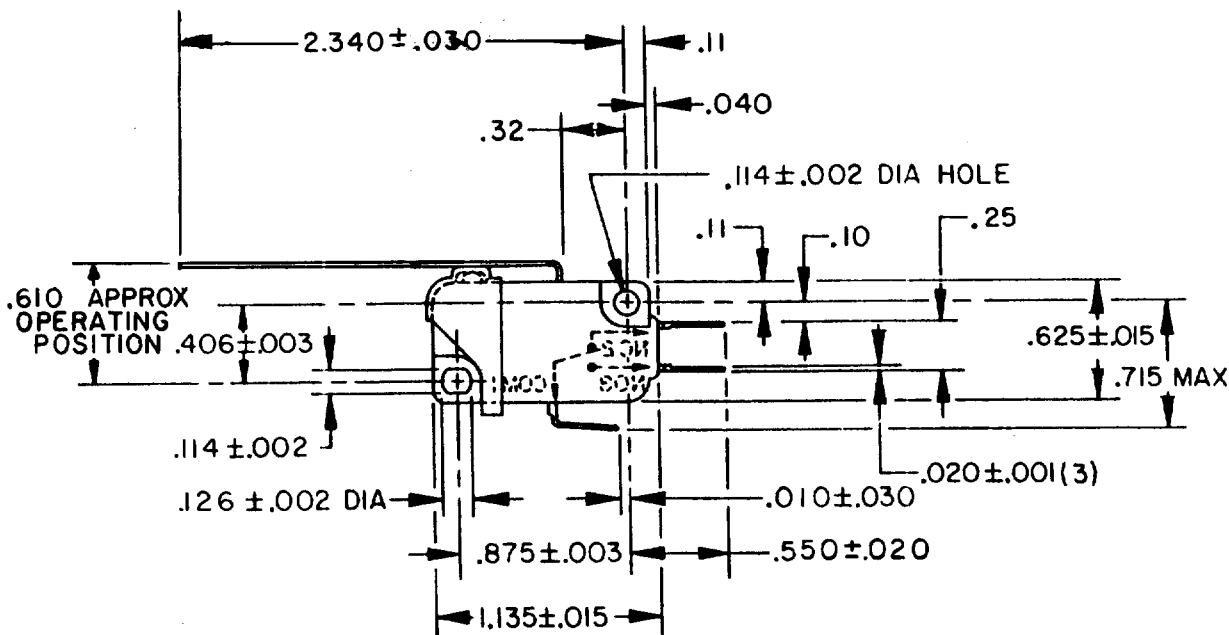
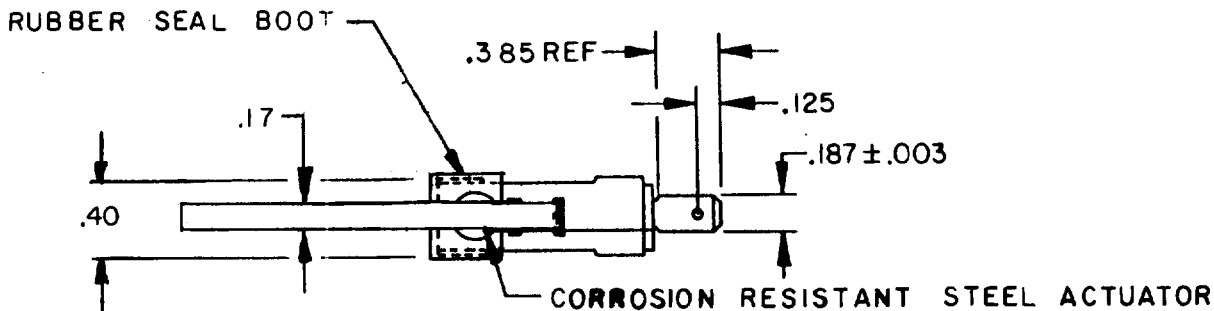
MICRO SWITCH

FREEPORT ILLINOIS, U.S.A
A DIVISION OF HONEYWELL INC.
FED. MFG. CODE 91929

SWITCH - BASIC

CATALOG LISTING
V7-IB17D8-048-S

CW-84719

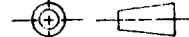


NOTES

- 1 - CAUTION: OVERTRAVEL FORCE ON LEVER MUST NOT RESULT IN AN OVERTRAVEL FORCE ON PLUNGER EXCEEDING 5 POUNDS
- 2 CHARACTERISTICS ARE APPROXIMATE WITHOUT RUBBER SEAL BOOT

THIS DRAWING COVERS A PROPRIETARY ITEM AND IS THE PROPERTY OF MICRO SWITCH, A DIVISION OF HONEYWELL. THIS DRAWING IS NOT TO BE COPIED OR USED WITHOUT THE APPROVAL OF MICRO SWITCH.

THIRD ANGLE PROJECTION



CHARACTERISTICS



OPERATING FORCE ----- 50 GRAM (APPROX)

ELECTRICAL DATA

CONTACT ARRANGEMENT
S P D T

L156

11A 1/3 HP 125, 250, 277 VAC
1/2A 125 VDC, 1/4A 250 VDC
4A 125 VAC "L"



SCALE FULL

DO NOT SCALE PRINT

UNLESS OTHERWISE SPECIFIED TOLERANCES ARE

ONE PLACE	(.0)	± .030
TWO PLACE	(.00)	± .015
THREE PLACE	(.000)	± .005
ANGLES		±

WEIGHT

M V7-IB17D8-048-S
 DRAWING NUMBER
 ISSUE 5
 CHECK
 REVISIONS
 A 17032
 S D 10 JAN 89
 B CO 65617-A
 DCS 11 MAY 89
 C CO 76109
 JWB 8 NOV 93
 D CO 77796
 DCS 23 MAR 94
 CHECK
 S D F10 JAN 89
 DRAWN
 FO-52848-B