

FO-50360-L

4

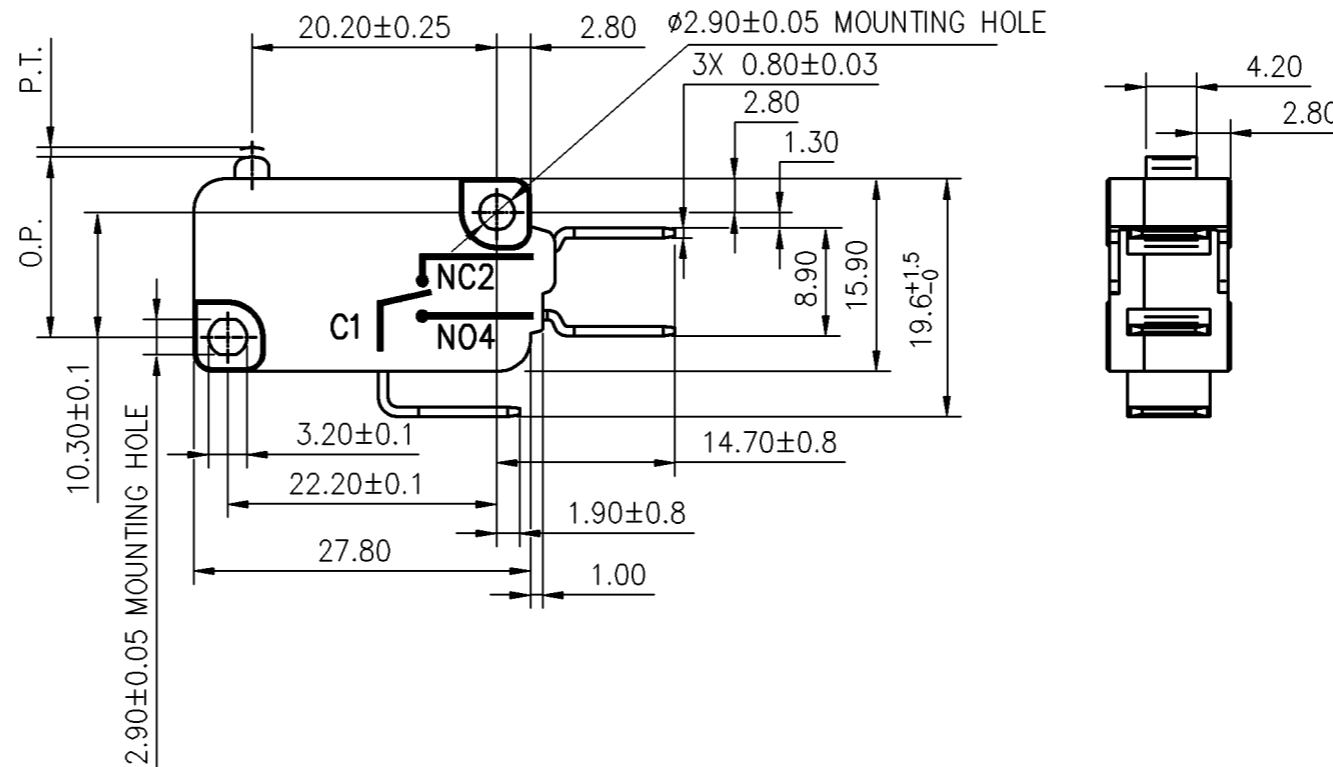
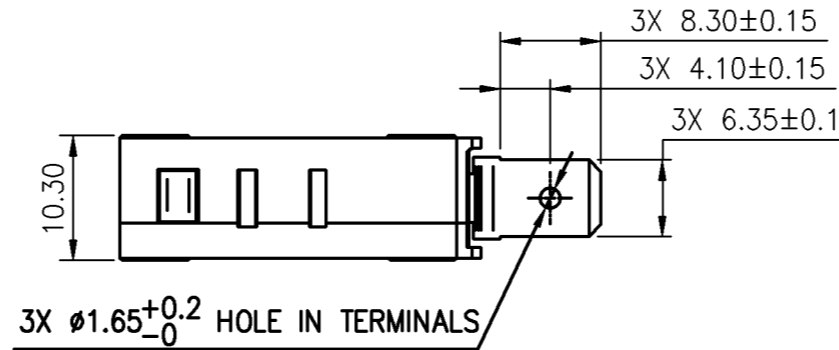
3

2



1

HONEYWELL PART NUMBER
V15T26-CZ300-K
PRODUCT CODE
CFW2054

REV	DOCUMENT	CHANGED BY	CHECK
A	0039186	SSK 23APR08	BLR



NOTES:
1. TERMINALS WILL ACCEPT 6.35mm WIDE QUICK CONNECT RECEPTACLES AND COMPLY WITH EN61058-1 REQUIREMENTS.

CHARACTERISTICS OPERATING FORCE: 300gf MAX. DIFFERENTIAL FORCE: RELEASE FORCE: 75gf MIN. FREE POSITION: OPERATING POSITION: 14.7±0.5MM. PRE-TRAVEL: 1.6MM MAX. DIFFERENTIAL TRAVEL: 0.4MM MAX. OVER-TRAVEL: 0.8MM MIN. FULL OVERTRAVEL FORCE:		ELECTRICAL DATA CONTACT ARRANGEMENT S.P.D.T  26(10)A 250V~ 0.02A 250V~ 25T125 µ 25E3		DESIGN UNITS: MM TOLERANCES UNLESS NOTED: NO PLACE X ± ± ONE PLACE .X ± ± TWO PLACE .XX ± ±0.40 THREE PLACE .XXX ± ± ANGLES X ± ±2° THIRD ANGLE PROJECTION 		DRAWN KSR 14APR08 CHECK RJ 14APR08 THIS DRAWING COVERS A PROPRIETARY ITEM AND IS THE PROPERTY OF HONEYWELL. THIS DRAWING IS NOT TO BE COPIED OR USED WITHOUT THE PERMISSION OF HONEYWELL. INTERPRET PER ASME Y14.5M-1994 OTHER HONEYWELL ENGINEERING STANDARDS MAY APPLY AutoCAD		Honeywell TITLE SWITCH - BASIC				SIZE B TYPE I CAGE CODE DRAWING NAME V15T26-CZ300-K REV A	
						SCALE NTS		SHEET 1 OF 1					

4

3

2

1