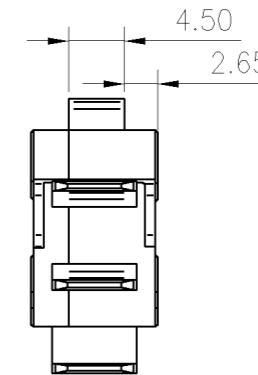
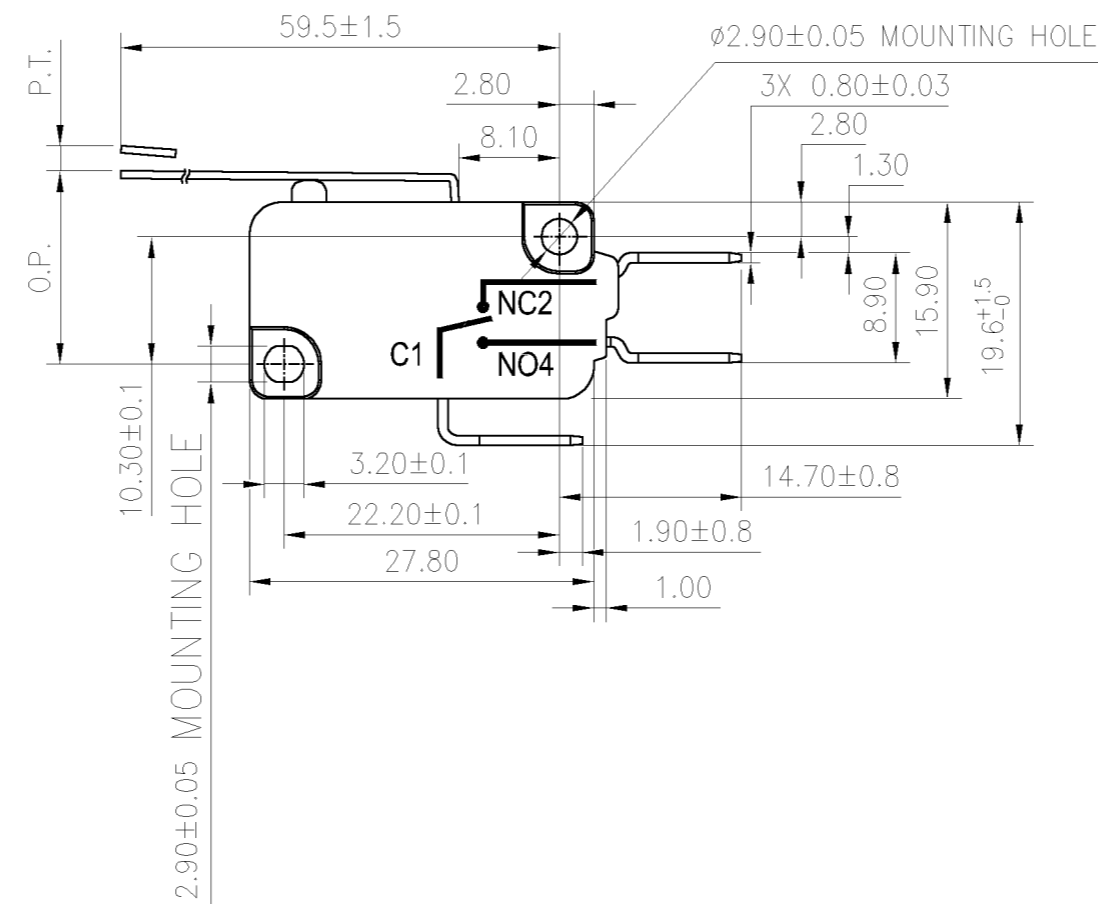
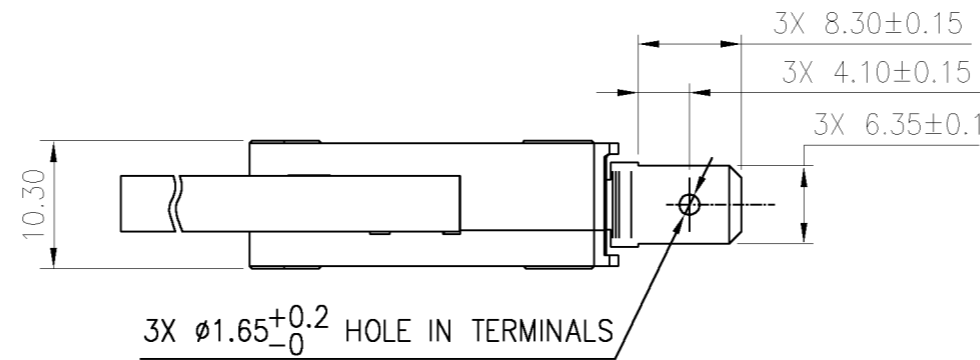


HONEYWELL PART NUMBER
V15T16-CZ300A03-K
PRODUCT CODE
CFW2057

REV	DOCUMENT	CHANGED BY	CHECK
A	0038670	VS 10APR08	BLR



NOTES:

1. TERMINALS WILL ACCEPT 6.35mm WIDE QUICK CONNECT RECEPTACLES AND COMPLY WITH EN61058-1 REQUIREMENTS.

CHARACTERISTICS	
OPERATING FORCE:	90gf MAX.
DIFFERENTIAL FORCE:	
RELEASE FORCE:	15gf MIN.
FREE POSITION:	
OPERATING POSITION:	15.3±3MM.
PRE-TRAVEL:	6.4MM MAX.
DIFFERENTIAL TRAVEL:	2.4MM MAX.
OVER-TRAVEL:	2.6MM MIN.
FULL OVERTRAVEL FORCE:	

ELECTRICAL DATA	
CONTACT ARRANGEMENT	
S.P.D.T	
	16(4)A 250V~
	25T125 µ 5E4
	16A 1/2HP 125/250VAC

DESIGN UNITS: MM				
TOLERANCES UNLESS NOTED:				
NO PLACE	X	±	±	
ONE PLACE	.X	±	±	
TWO PLACE	.XX	±	± 0.40	
THREE PLACE	.XXX	±	±	
ANGLES	X	±	± 2°	
THIRD ANGLE PROJECTION				

DRAWN	KSR	01APR08
CHECK	RJ	01APR08
THIS DRAWING COVERS A PROPRIETARY ITEM AND IS THE PROPERTY OF HONEYWELL. THIS DRAWING IS NOT TO BE COPIED OR USED WITHOUT THE PERMISSION OF HONEYWELL.		
INTERPRET PER ASME Y14.5M-1994 OTHER HONEYWELL ENGINEERING STANDARDS MAY APPLY		
AutoCAD		

Honeywell				
TITLE SWITCH - BASIC				
SIZE	TYPE	CAGE CODE	DRAWING NAME	REV
B	I		V15T16-CZ300A03-K	A
SCALE	NTS		SHEET	1 OF 1