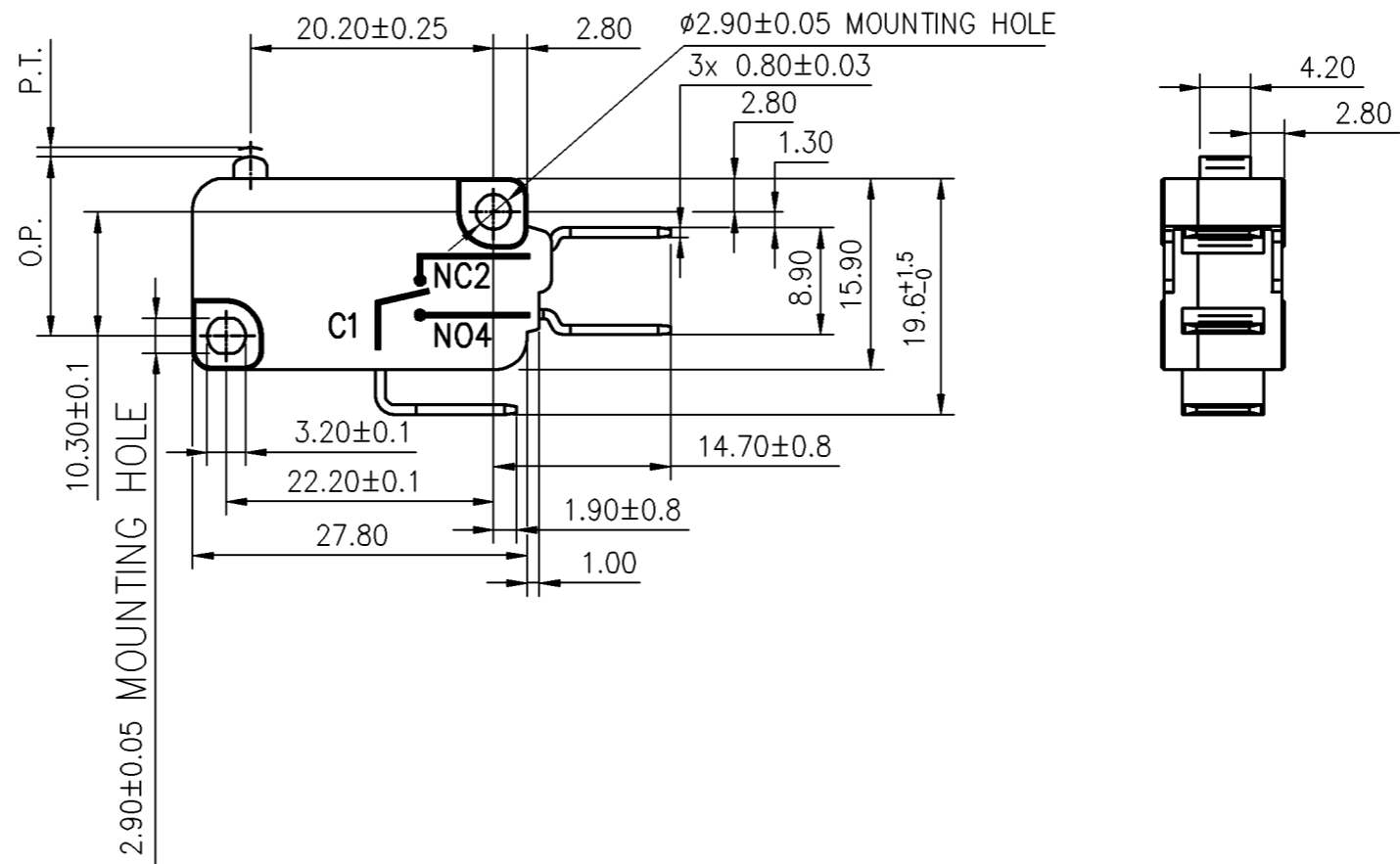
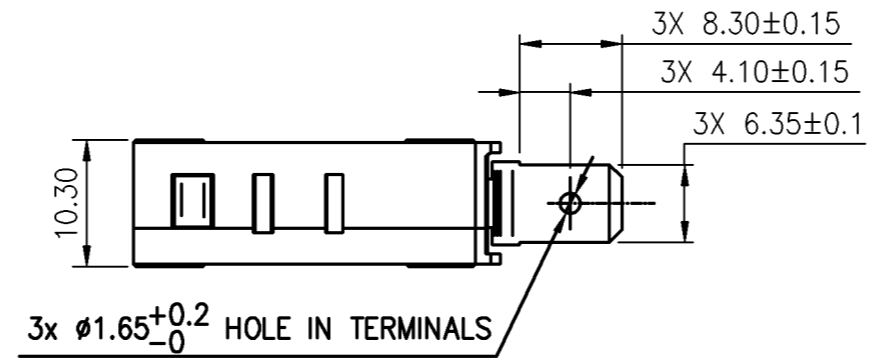


HONEYWELL PART NUMBER
V15T16-CZ300-K
PRODUCT CODE
CFW2055

REV	DOCUMENT	CHANGED BY	CHECK
A	0039186	SSK 23APR08	BLR



NOTES:
1. TERMINALS WILL ACCEPT 6.35mm WIDE QUICK CONNECT RECEPTACLES AND COMPLY WITH EN61058-1 REQUIREMENTS.

CHARACTERISTICS	
OPERATING FORCE:	300gf MAX.
DIFFERENTIAL FORCE:	
RELEASE FORCE:	75gf MIN.
FREE POSITION:	
OPERATING POSITION:	14.7±0.5MM.
PRE-TRAVEL:	1.6MM MAX.
DIFFERENTIAL TRAVEL:	0.4MM MAX.
OVER-TRAVEL:	0.8MM MIN.
FULL OVERTRAVEL FORCE:	

ELECTRICAL DATA	
CONTACT ARRANGEMENT	
S.P.D.T	
	16(4)A 250V~ 25T125 μ 5E4
	16A 1/2HP 125/250VAC

DESIGN UNITS: MM			
TOLERANCES UNLESS NOTED:			
NO PLACE	X	±	±
ONE PLACE	.X	±	±
TWO PLACE	.XX	±	± 0.40
THREE PLACE	.XXX	±	±
ANGLES	X	±	± 2°
THIRD ANGLE PROJECTION			

DRAWN	KSR	14APR08
CHECK	RJ	14APR08
THIS DRAWING COVERS A PROPRIETARY ITEM AND IS THE PROPERTY OF HONEYWELL. THIS DRAWING IS NOT TO BE COPIED OR USED WITHOUT THE PERMISSION OF HONEYWELL.		
INTERPRET PER ASME Y14.5M-1994 OTHER HONEYWELL ENGINEERING STANDARDS MAY APPLY		
AutoCAD		

Honeywell				
TITLE SWITCH - BASIC				
SIZE	TYPE	CAGE CODE	DRAWING NAME	REV
B	I		V15T16-CZ300-K	A
SCALE	NTS		SHEET	1 OF 1