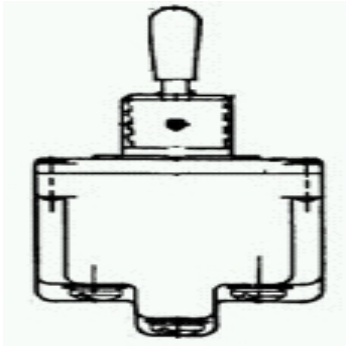




Home > Products > MICRO SWITCH™ Toggle Switches > TL > Product Page

2TL1-70



Actual product appearance may vary.

TL Series Toggle Switch, 2 pole, 3 position, Screw terminal, Standard Lever, Military Part Number MS27407 -6

Order Product and Get Support

- U.S. Authorized Distributors
- Global Sales & Service
- N. American Sales Reps
- Distributor Inventory
- Technical Assistance
- White Papers
- Literature Request
- Test and Measurement Catalog
- RoHS Product List
- Customer Feedback

Features

Qualified to MILS-3950
 Environmentproof sealing
 1,2, and 4 pole circuitry
 Standard and pull-to-unlock levers
 2 and 3 position, maintained and momentary toggle action
 Temperature range:-85? F to +160? F
 Completely sealed switching chamber
 Step-design case provides added space between terminals to help prevent shorting
 UL recognized, CSA certified
 CE approved

Potential Applications

Industrial machinery and equipment
 Military and commercial aviation
 Construction equipment
 Test instruments
 Agricultural machinery
 Process control
 Medical instrumentation

Description

MICRO SWITCH™ TL Series toggle switches have high strength, temperature resistant, non-tracking case material and silver cadmium oxide contacts. Pull-to-unlock toggle levers prevent accidental operation; the lever must be pulled approx. 2,3 mm (0.09 inches) to change positions.

Supporting Documentation

- [▶ Accessory: Lever Sleeve](#)
- [▶ Terminal Identification](#)
- [▶ Accessory: Seals](#)
- [▶ Panel Cutout](#)
- [▶ Accessory: Nuts](#)
- [▶ Engineering Drawing](#)

Product Specifications			
Circuitry/Operating action	Keyway Momentary Position	Center Maintained Position	Opposite Keyway Momentary Position
Product Type	MICRO SWITCH™ Toggle Switch		
Ampere/Voltage Range (Resistive Load)	0.5 A to 18 A at 0.5 Vdc to 28 Vdc, 0.5 A to 10 A at 0.5 Vac to 277 Vac, 0.5 A at 250 Vdc, 0.75 A at 115 Vdc		
Circuitry	DPDT		
Action	3 position		
Mounting	Bushing 15/32 in		
Termination	Screw		
Military Part Number	MS27407 -6		
Lever Type	Standard		
UL/CSA Rating Code	L192: 10 A - 125, 250, 277 Vac; 1/4 Hp - 125 Vac; 1/2 Hp - 250, 277 Vac; 3 A - 125 Vac "L"		
Comment	Silver cadmium oxide contacts		
Availability	Global		
UNSPSC Code	30211908		
UNSPSC Commodity	30211908 Toggle switches		
Series Name	TL		

My Links

[Login to iCOM](#)
[Login as Rep/AD](#)
[Login as Guest](#)
[Login to Digital University](#)

Keyword Search

Search for product and support information.

All Sensing and Control

Product Search

Part number search:

Use (*) to expand search

[Specification Search](#)