

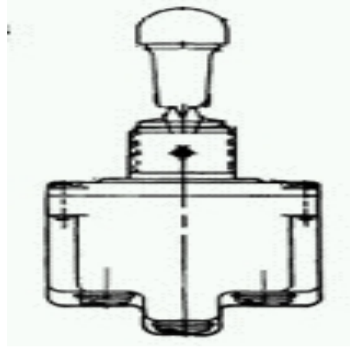


Home > Products > MICRO SWITCH™ Toggle Switches > TL > Product Page

Order Product and Get Support

- U.S. Authorized Distributors
- Global Sales & Service
- N. American Sales Reps
- Distributor Inventory
- Technical Assistance
- White Papers
- Literature Request
- Test and Measurement Catalog
- RoHS Product List
- Customer Feedback

4TL1-1A



Actual product appearance may vary.

TL Series Toggle Switch, 4 pole, 3 position, Screw terminal, Locking Lever, Military Part Number MS24660 - 21A

Features

Qualified to MILS-3950
 Environmentproof sealing
 1,2, and 4 pole circuitry
 Standard and pull-to-unlock levers
 2 and 3 position, maintained and momentary toggle action
 Temperature range: -85° F to +160° F
 Completely sealed switching chamber
 Step-design case provides added space between terminals to help prevent shorting
 UL recognized, CSA certified
 CE approved

Potential Applications

Industrial machinery and equipment
 Military and commercial aviation
 Construction equipment
 Test instruments
 Agricultural machinery
 Process control
 Medical instrumentation

Description

MICRO SWITCH™ TL Series toggle switches have high strength, temperature resistant, non-tracking case material and silver cadmium oxide contacts. Pull-to-Unlock toggle levers prevent accidental operation; the lever must be pulled approx. 2,3 mm (0.09 inches) to change positions.

Supporting Documentation

- [Terminal Identification](#)
- [Accessory: Seals](#)
- [Panel Cutout](#)
- [Accessory: Nuts](#)
- [Engineering Drawing](#)

Product Specifications																				
Circuitry/Operating action	<table border="1"> <thead> <tr> <th>Keyway Position</th> <th>Center Position</th> <th>Opposite Keyway Position</th> </tr> </thead> <tbody> <tr> <td></td> <td></td> <td></td> </tr> <tr> <td></td> <td></td> <td></td> </tr> <tr> <td></td> <td></td> <td></td> </tr> <tr> <td></td> <td></td> <td></td> </tr> <tr> <td></td> <td style="text-align: center;">OFF</td> <td style="text-align: center;">ON</td> </tr> </tbody> </table>	Keyway Position	Center Position	Opposite Keyway Position														OFF	ON	
Keyway Position	Center Position	Opposite Keyway Position																		
	OFF	ON																		
Product Type	MICRO SWITCH™ Toggle Switch																			
Lever Lock	<p>Locked in three position</p>																			
Ampere/Voltage Range (Resistive Load)	0.75 A at 115 Vdc, 0.5 A to 20 A at 0.5 Vdc to 28 Vdc, 0.5 A at 250 Vdc, 0.5 A to 15 A at 0.5 Vac to 277 Vac																			
Circuitry	4PDT																			
Action	3 position																			
Mounting	Bushing 15/32 in																			
Termination	Screw																			
Military Part Number	MS24660 - 21A																			
Lever Type	Locking																			
UL/CSA Rating Code	L191: 15 A - 125, 250, 277 Vac; 1/2 Hp - 125 Vac; 1 Hp - 250, 277 Vac; 5 A - 120 Vac "L"																			
Comment	Silver cadmium oxide contacts																			
Availability	Global																			
UNSPSC Code	30211908																			
UNSPSC Commodity	30211908 Toggle switches																			
Series Name	TL																			

My Links

[Login to iCOM](#)
[Login as Rep/AD](#)
[Login as Guest](#)
[Login to Digital University](#)

Keyword Search

Search for product and support information.

All Sensing and Control

Product Search

Part number search:

Use (*) to expand search

[Specification Search](#)