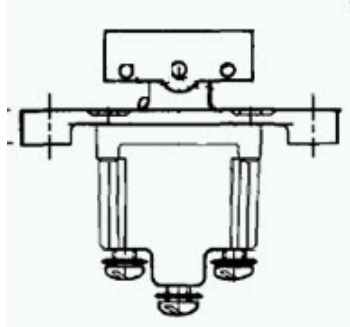




Home > Products > Power-duty Rocker Switches > TP > Product Page

1TP7-7



TP Series Rocker Switch, 1 pole, 3 position, Screw terminal, Above Panel Mounting

Actual product appearance may vary.

Features

- Environmentally sealed
- Two and three-position pushbutton action
- Various button colors
- 1, 2, and 4-pole circuitry
- Flush panel and above panel mountings
- Temperature range: -54 ° C to +71 ° C [- 65 ° F to +160 ° F]
- UL recognized, CSA certified
- CE approved

Potential Applications

- Industrial machinery and equipment
- Military and commercial aviation
- Marine applications
- Construction equipment
- Test instruments
- Agricultural machinery
- Process control
- Medical instrumentation

Description

MICRO SWITCH™ TP Rocker switches may be mounted flush with panel for a low-button profile or above panel for a distinct button appearance. Buttons measure 22,1 mm x 37,1 mm [.87 in x 1.46 in]. They are removable and interchangeable, and come in transparent plastic, translucent plastic, and six colors of opaque plastic. Switches without buttons are also available, as well as separate buttons.

Supporting Documentation

[Accessory: Rocker Operator](#)

[Engineering Drawing](#)

Product Specifications	
Circuitry/Operating action	<div style="display: flex; justify-content: space-around; align-items: center;"> <div style="text-align: center;"> <p>Keyway Momentary Position</p> </div> <div style="text-align: center;"> <p>Center Position</p> </div> <div style="text-align: center;"> <p>Opposite Keyway Momentary Position</p> </div> </div>
Product Type	MICRO SWITCH™ Rocker
Ampere/Voltage Range (Resistive Load)	0.5 A at 250 Vdc, 0.75 A at 115 Vdc, 0.5 A to 15 A at 0.5 Vdc to 28 Vdc, 0.5 A to 10 A at 0.5 Vac to 277 Vac
Circuitry	SPDT
Action	3 position
Mounting	Above Panel
Termination	Screw
Button Type	No button
UL/CSA Rating Code	L192: 10 A - 125, 250, 277 Vac; 1/4 Hp - 125 Vac; 1/2 Hp - 250, 277 Vac; 3 A - 125 Vac "L"
Comment	Silver cadmium oxide contacts
Availability	Global
UNSPSC Code	302119
UNSPSC Commodity	302119 Switches and controls and relays
Series Name	TP

My Links

- [Login to iCOM](#)
- [Login as Rep/AD](#)
- [Login as Guest](#)
- [Login to Digital University](#)

Keyword Search

Search for product and support information.

All Sensing and Control

Product Search

Part number search:

Use (*) to expand search

[Specification Search](#)