

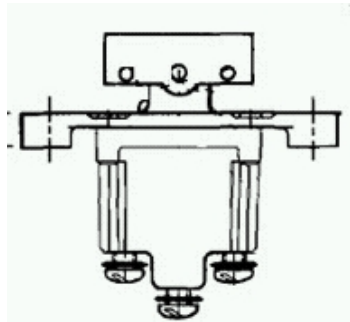


Home > Products > Power-duty Rocker Switches > TP > Product Page

### Order Product and Get Support

- U.S. Authorized Distributors
- Global Sales & Service
- N. American Sales Reps
- Distributor Inventory
- Technical Assistance
- White Papers
- Literature Request
- Test and Measurement Catalog
- RoHS Product List
- Customer Feedback

### 1TP7-5



Actual product appearance may vary.

**TP Series Rocker Switch, 1 pole, 3 position, Screw terminal, Above Panel Mounting**

#### Features

Environmentally sealed  
 Two and three-position pushbutton action  
 Various button colors  
 1, 2, and 4-pole circuitry  
 Flush panel and above panel mountings  
 Temperature range: -54 °C to +71 °C [-65 °F to +160 °F]  
 UL recognized, CSA certified  
 CE approved

#### Potential Applications

Industrial machinery and equipment  
 Military and commercial aviation  
 Marine applications  
 Construction equipment  
 Test instruments  
 Agricultural machinery  
 Process control  
 Medical instrumentation

#### Description

MICRO SWITCH™ TP Rocker switches may be mounted flush with panel for a low-button profile or above panel for a distinct button appearance. Buttons measure 22,1 mm x 37,1 mm [.87 in x 1.46 in]. They are removable and interchangeable, and come in transparent plastic, translucent plastic, and six colors of opaque plastic. Switches without buttons are also available, as well as separate buttons.

#### Supporting Documentation

[Accessory: Rocker Operator](#)

[Engineering Drawing](#)

Product Specifications																			
Circuitry/Operating action	<table border="0"> <tr> <td style="text-align: center;"><b>Keyway</b></td> <td style="text-align: center;"><b>Center</b></td> <td style="text-align: center;"><b>Opposite</b></td> </tr> <tr> <td style="text-align: center;"><b>Momentary</b></td> <td style="text-align: center;"><b>Position</b></td> <td style="text-align: center;"><b>Keyway</b></td> </tr> <tr> <td style="text-align: center;"><b>Position</b></td> <td style="text-align: center;"><b>Position</b></td> <td style="text-align: center;"><b>Position</b></td> </tr> <tr> <td style="text-align: center;"></td> <td style="text-align: center;"></td> <td style="text-align: center;"></td> </tr> <tr> <td style="text-align: center;">1 2 3</td> <td style="text-align: center;">1 2 3</td> <td style="text-align: center;">1 2 3</td> </tr> <tr> <td style="text-align: center;">ON</td> <td style="text-align: center;">OFF</td> <td style="text-align: center;">ON</td> </tr> </table>	<b>Keyway</b>	<b>Center</b>	<b>Opposite</b>	<b>Momentary</b>	<b>Position</b>	<b>Keyway</b>	<b>Position</b>	<b>Position</b>	<b>Position</b>				1 2 3	1 2 3	1 2 3	ON	OFF	ON
<b>Keyway</b>	<b>Center</b>	<b>Opposite</b>																	
<b>Momentary</b>	<b>Position</b>	<b>Keyway</b>																	
<b>Position</b>	<b>Position</b>	<b>Position</b>																	
1 2 3	1 2 3	1 2 3																	
ON	OFF	ON																	
Product Type	MICRO SWITCH™ Rocker																		
Ampere/Voltage Range (Resistive Load)	0.75 A at 115 Vdc, 0.5 A at 250 Vdc, 0.5 A to 10 A at 0.5 Vac to 277 Vac, 0.5 A to 15 A at 0.5 Vdc to 28 Vdc																		
Circuitry	SPDT																		
Action	3 position																		
Mounting	Above Panel																		
Termination	Screw																		
Button Type	No button																		
UL/CSA Rating Code	L192: 10 A - 125, 250, 277 Vac; 1/4 Hp - 125 Vac; 1/2 Hp - 250, 277 Vac; 3 A - 125 Vac "L"																		
Comment	Silver cadmium oxide contacts																		
Availability	Global																		
UNSPSC Code	302119																		
UNSPSC Commodity	302119 Switches and controls and relays																		
Series Name	TP																		

#### My Links

[Login to iCOM](#)  
[Login as Rep/AD](#)  
[Login as Guest](#)  
[Login to Digital University](#)

#### Keyword Search

Search for product and support information.

All Sensing and Control

#### Product Search

Part number search:

Use (\*) to expand search

[Specification Search](#)