

**MICRO SWITCH**

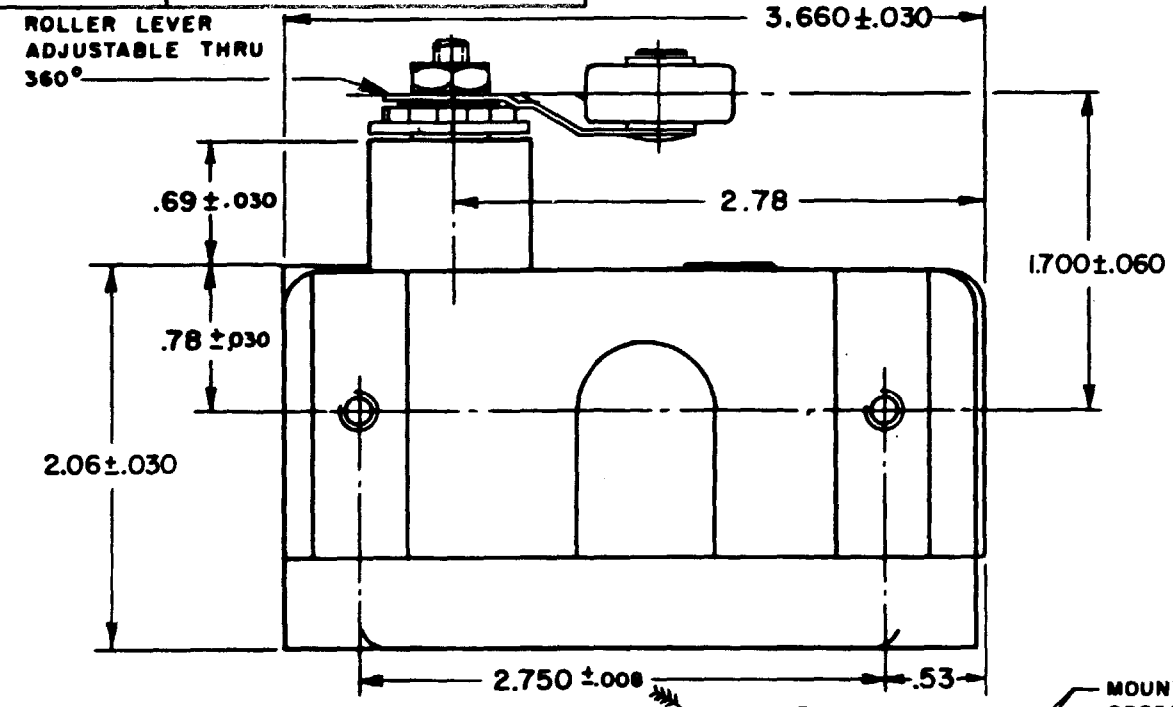
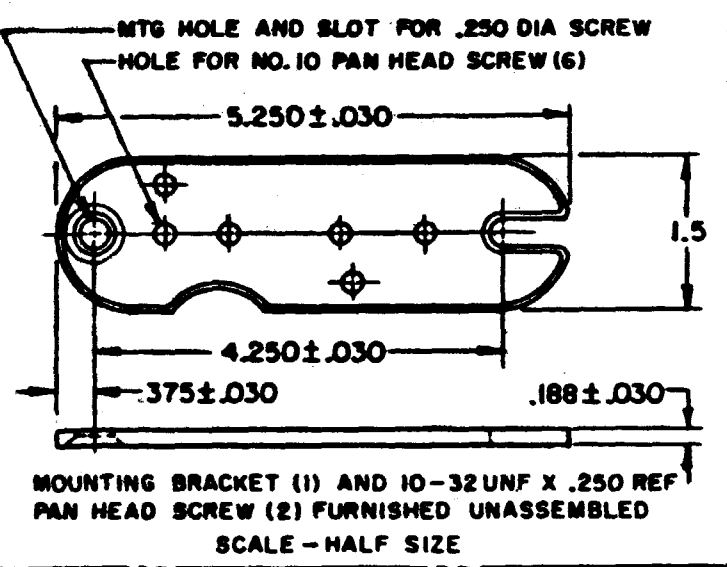
FREEPORT, ILLINOIS, U.S.A.  
A DIVISION OF HONEYWELL  
FED. MFG. CODE 91929

**SWITCH-BASIC**

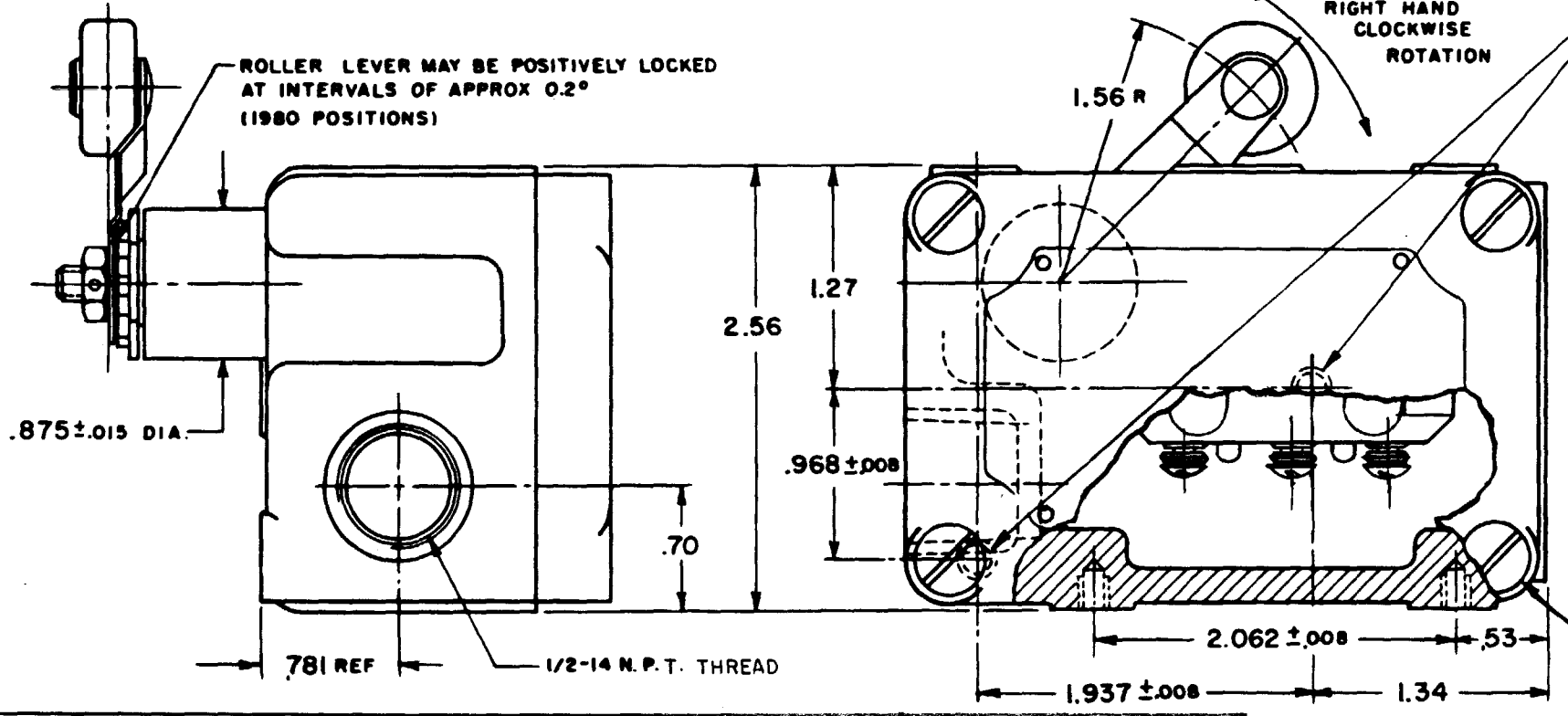
CATALOG LISTING  
**OPH-AR7**

OPH-AR7  
 M  
 DRAWING NUMBER  
 10  
 ISSUE  
 2  
 REVISIONS  
 H 008031 J  
 JAS 26 APR 85  
 J 0073344  
 G J W 17 OCT 92  
 K 0081637  
 GLH 3 APR 98  
 D W V 19 JUL 62  
 DRAWN  
 FO-92851-B

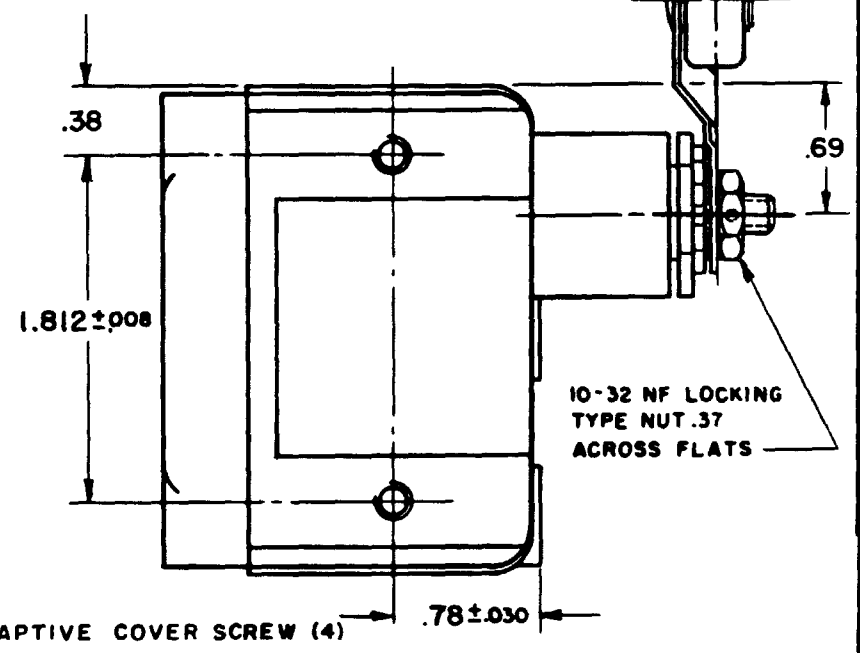
REPLACES  
 SR-11383  
 CHECK  
 CHECK  
 CHECK



.750 REF DIA X .250 REF WIDE  
HARDENED STEEL ROLLER



MOUNTING HOLE IN OPPOSITE WALL (2)



THIS DRAWING COVERS A PROPRIETARY ITEM AND IS THE PROPERTY OF MICRO SWITCH, A DIVISION OF HONEYWELL. THIS DRAWING IS NOT TO BE COPIED OR USED WITHOUT THE APPROVAL OF MICRO SWITCH.

CHARACTERISTICS	
OPERATING FORCE	8-24 OZ
RELEASE FORCE	4 OZ MIN
PRETRAVEL	.219 MAX 8°
DIFFERENTIAL TRAVEL	.025 MAX
OVERTRAVEL	DO NOT OVERTRAVEL MORE THAN 25°
SWITCH-BASIC REPLACEMENT	IHS201

ELECTRICAL DATA	
CONTACT ARRANGEMENT	
S. P. D. T.	

SCALE FULL	
DO NOT SCALE PRINT	
UNLESS OTHERWISE SPECIFIED TOLERANCES ARE	
ONE PLACE	(.0) ± .030
TWO PLACE	(.00) ± .015
THREE PLACE	(.000) ± .005
ANGLES	±
THIRD ANGLE PROJECTION	
WEIGHT	

**NOTES**

- 1 - MOUNTING SCREW HOLE, 10-32 NF THREADS X .219 REF DEEP (8)
- 2 - 6-32 UNC X .219 REF TERMINAL SCREWS AND WASHER (SEMS) (3)
- 3 - SEALED CONSTRUCTION PROVIDES SPLASH RESISTANCE