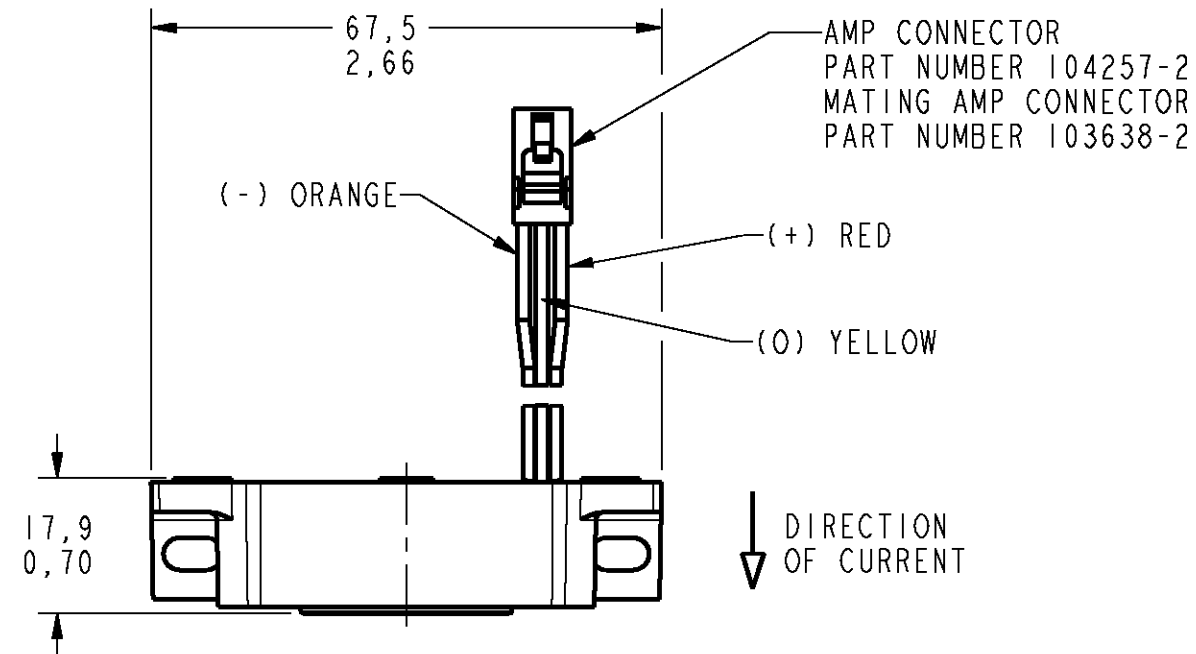


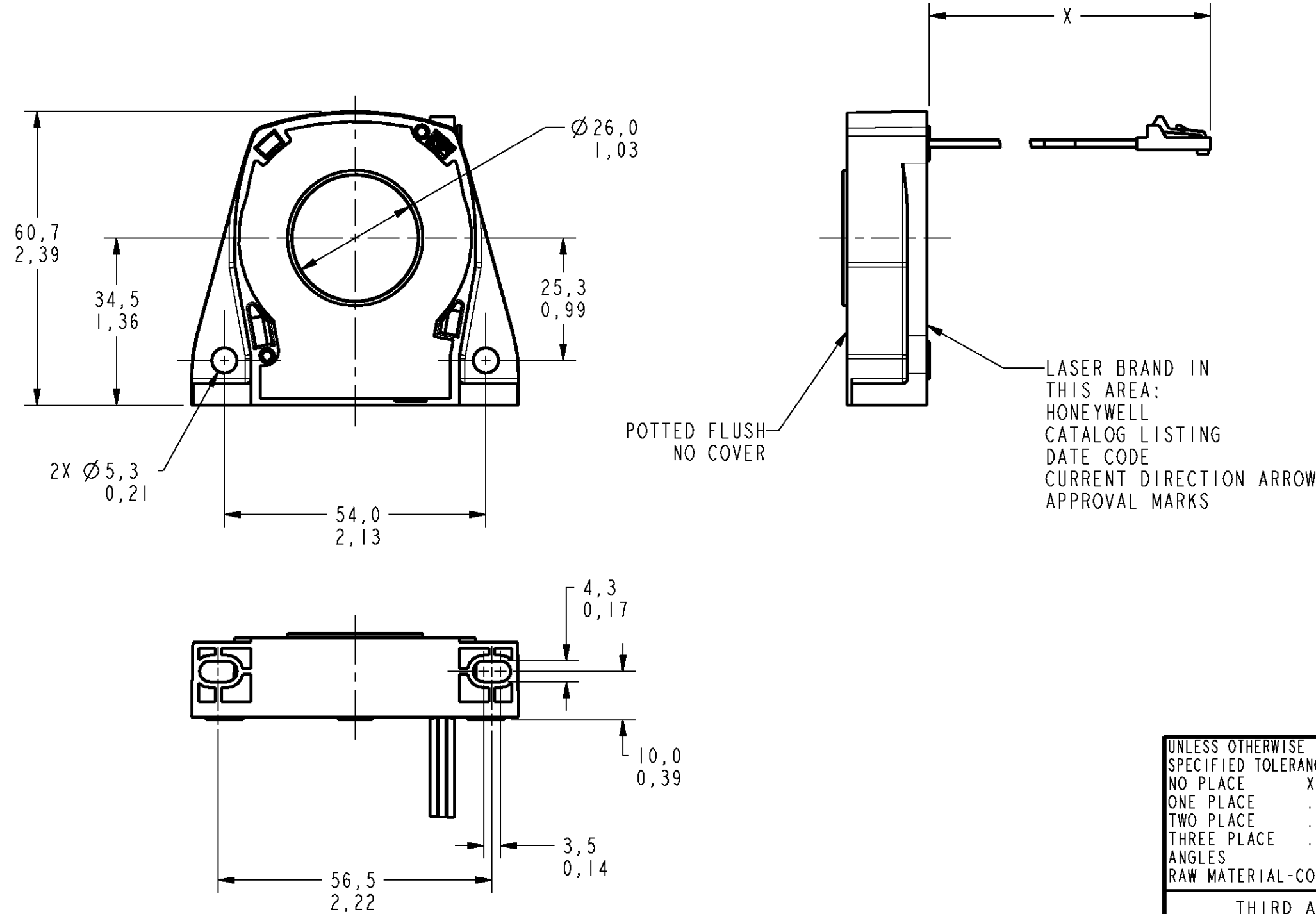
CHARACTERISTICS

REV	DOCUMENT	CHANGED BY	CHECK
1			SAV

CATALOG LISTING	ISSUE NUMBER	OPERATING TEMPERATURE	SUPPLY	HOUSING MATERIAL	SENSING RANGE		OUTPUT NOMINAL	MAXIMUM COIL RESISTANCE AT 70°C	NUMBER OF TURNS	PRIMARY CONNECTION	X DIMENSION	SECONDARY CONNECTION
					NOMINAL	MAXIMUM						
CSNS300F-001	1	-40°C TO +85°C	±15V	GLASS FILLED PBT	300A	600A	150mA	34Ω	2000±1	THRU HOLE	330m / 13in	AMP CONNECTOR ON FLYING LEADS
CSNS300F-002	1				150m / 6in	AMP CONNECTOR ON FLYING LEADS						



NOTES
 1 - THIS PART IS COVERED BY EXTERNAL PRODUCT APPROVAL(S).
 NO DESIGN CHANGES WITHOUT AGREEMENT OF APPROVALS ENGINEERING



UNLESS OTHERWISE SPECIFIED TOLERANCES ARE:		<input type="checkbox"/> US (inch) CUSTOMARY	<input checked="" type="checkbox"/> SI (mm) METRIC	DRAWN	TMM	9OCT02	Honeywell		
NO PLACE	X	±.040	±1	CHECK	SAV	9OCT02			
ONE PLACE	.X	±.030	±0,4	THIS DRAWING COVERS A PROPRIETARY ITEM AND IS THE PROPERTY OF HONEYWELL. THIS DRAWING IS NOT TO BE COPIED OR USED WITHOUT THE PERMISSION OF HONEYWELL.			TITLE		
TWO PLACE	.XX	±.015	±0,15				300A NULL BALANCE, CURRENT SENSOR		
THREE PLACE	.XXX	±.005	±				SIZE	DWG TYPE	DRAWING NAME
ANGLES		±	±				C	I	MTG-CSN-325
RAW MATERIAL-COMMERCIAL STANDARD				DIMENSIONS ARE TO BE MET BEFORE PROTECTIVE COATINGS ARE APPLIED			REV		
THIRD ANGLE PROJECTION				3D PTC	ASME Y14.5M-1994	SCALE	NONE		
				SHEET			1 OF 1		
				WEIGHT					