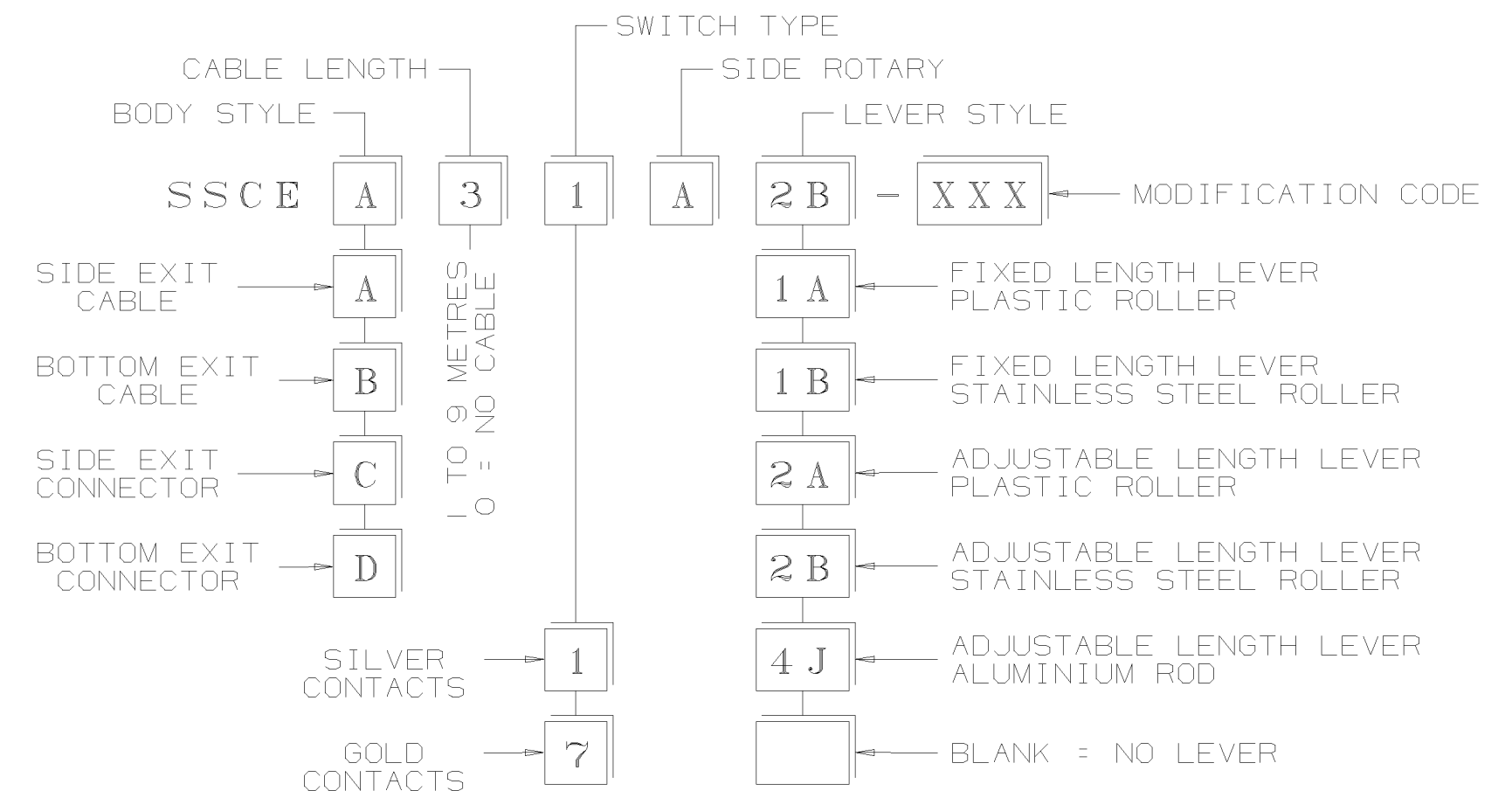
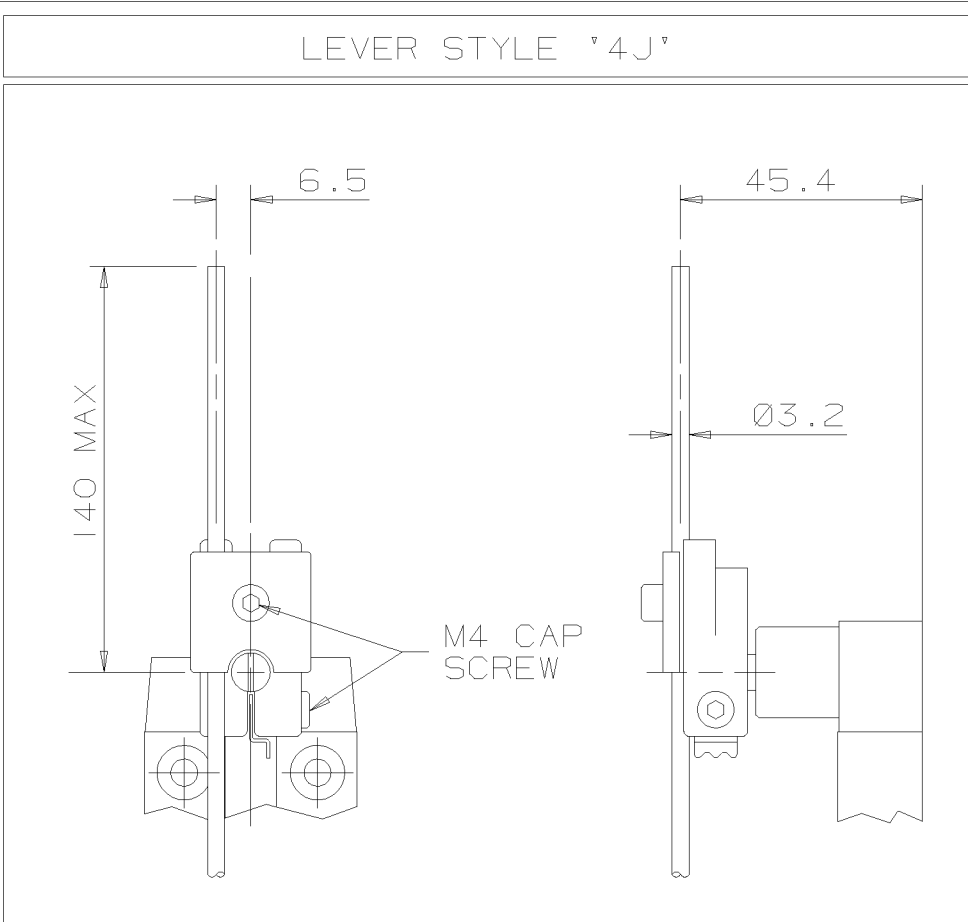
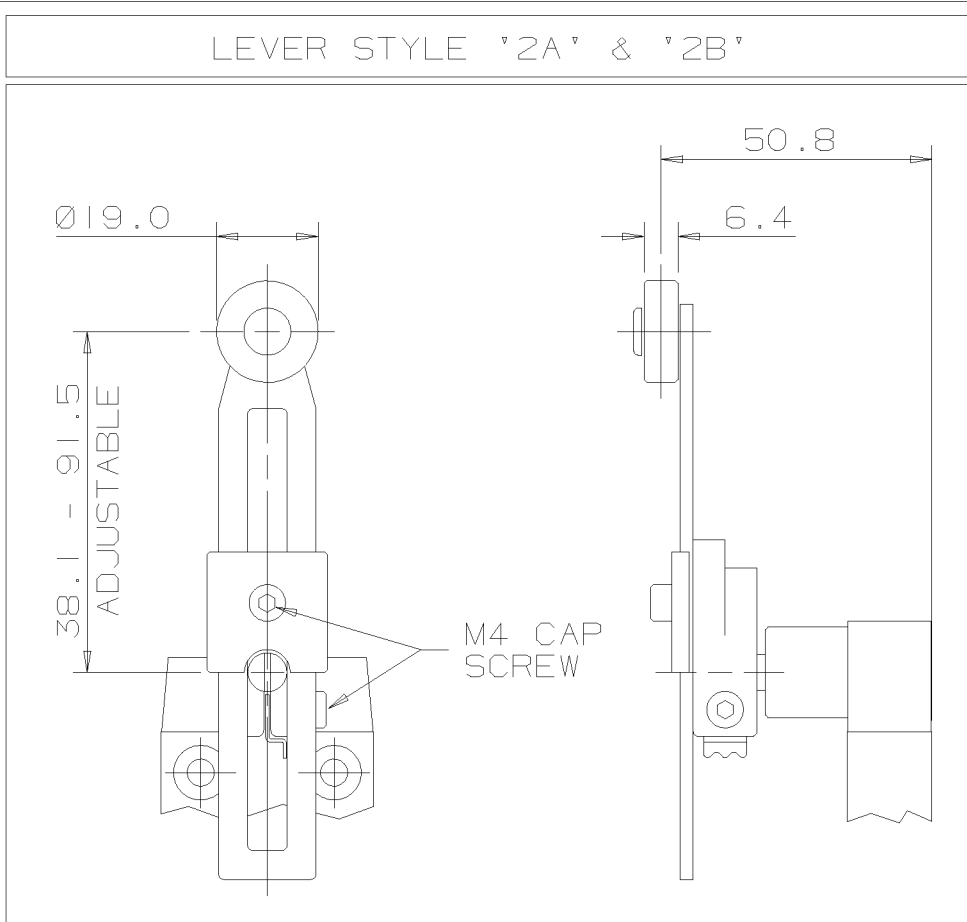
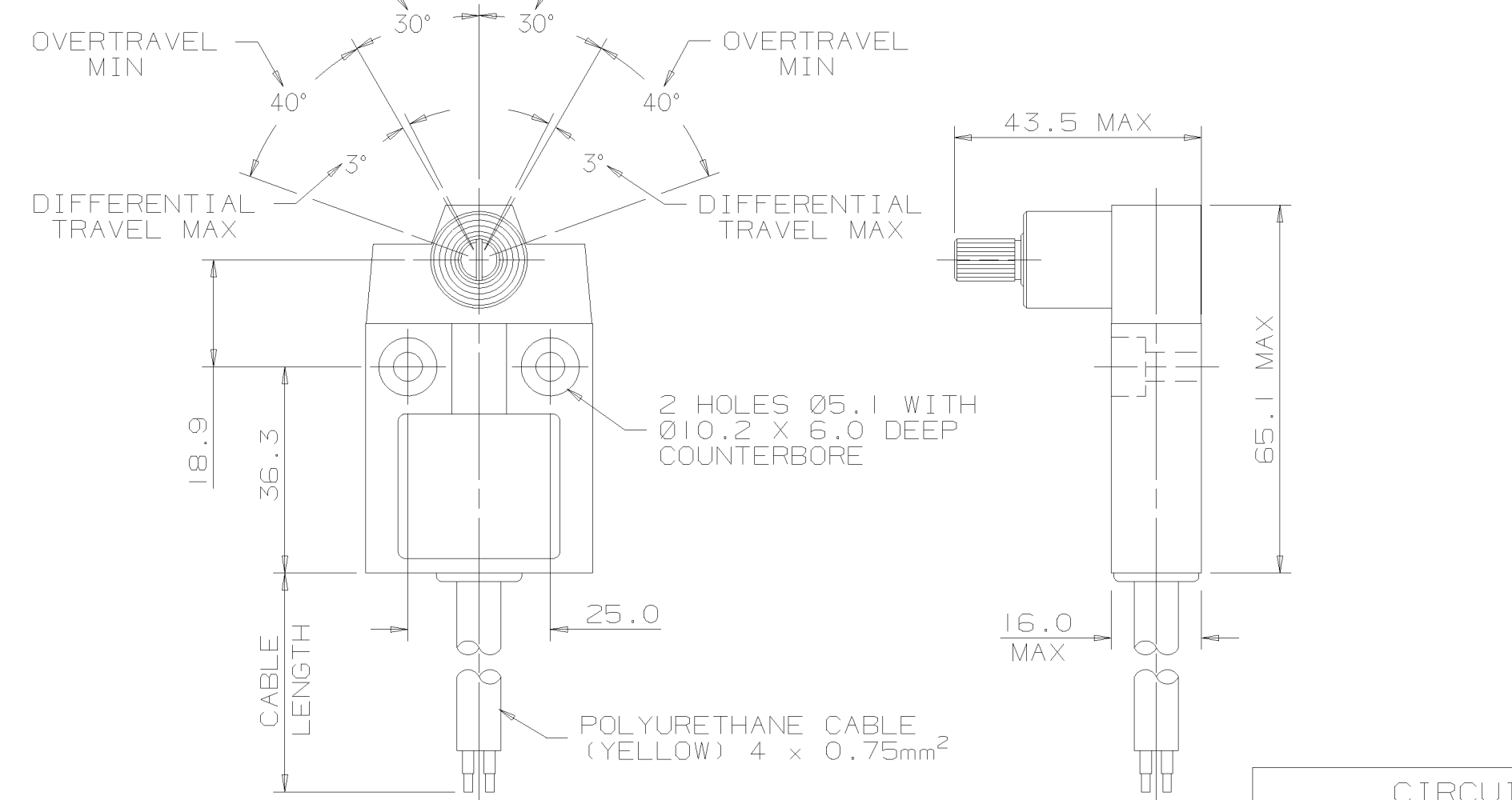
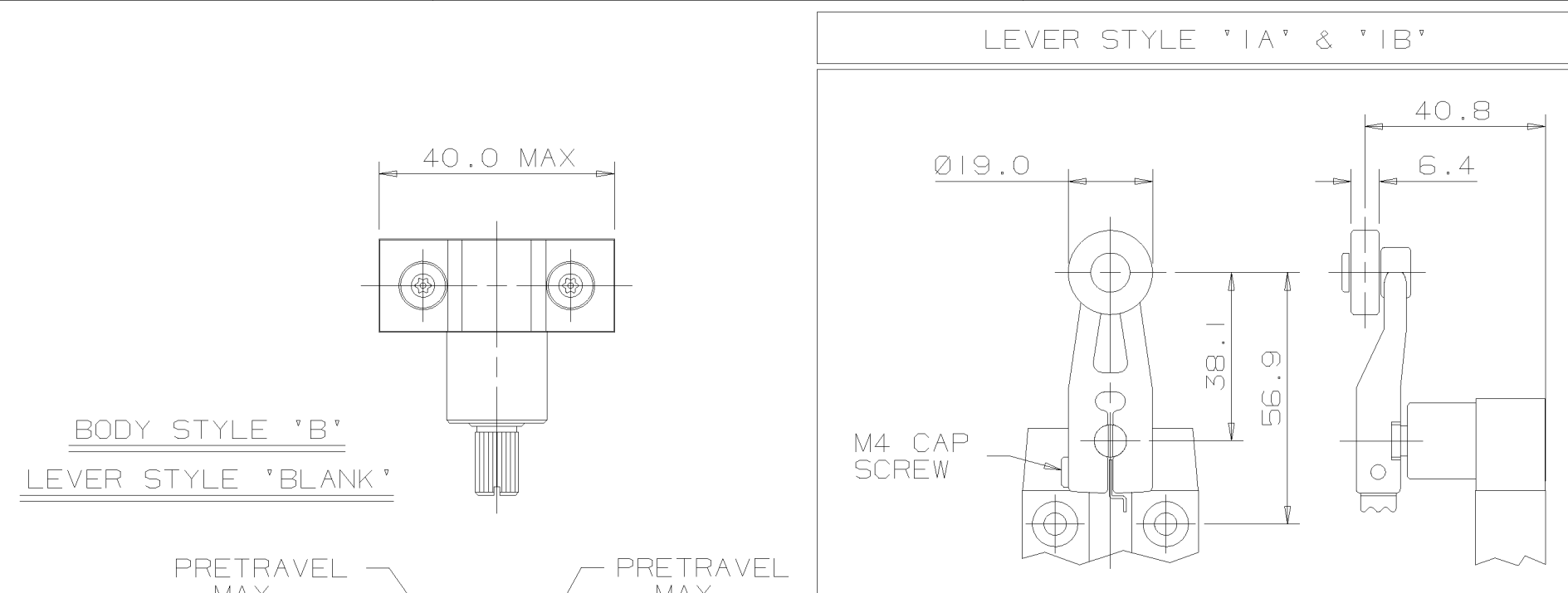
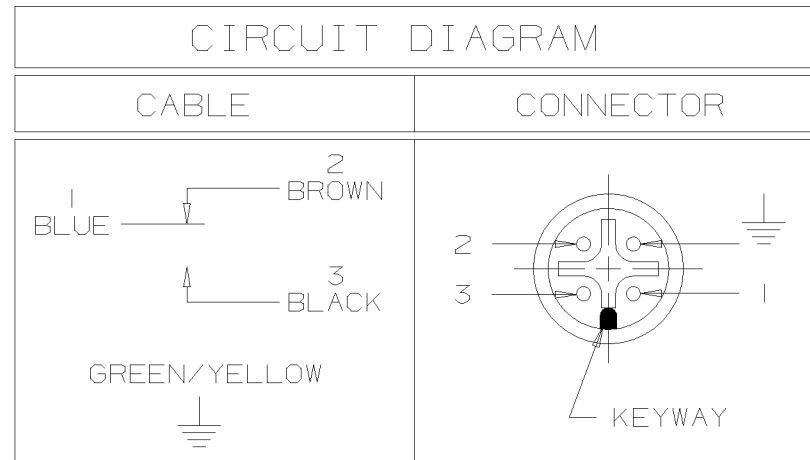


DO NOT SCALE PRINT  
A2 FORMAT  
MTG-CE-294  
REPLACES  
MTG-CE-294  
CHART NUMBER  
DR\*326  
ISSUE  
RELEASE No.  
REVISIONS  
DRAWN  
CHECK  
DESIGN  
AUTHOR\* N

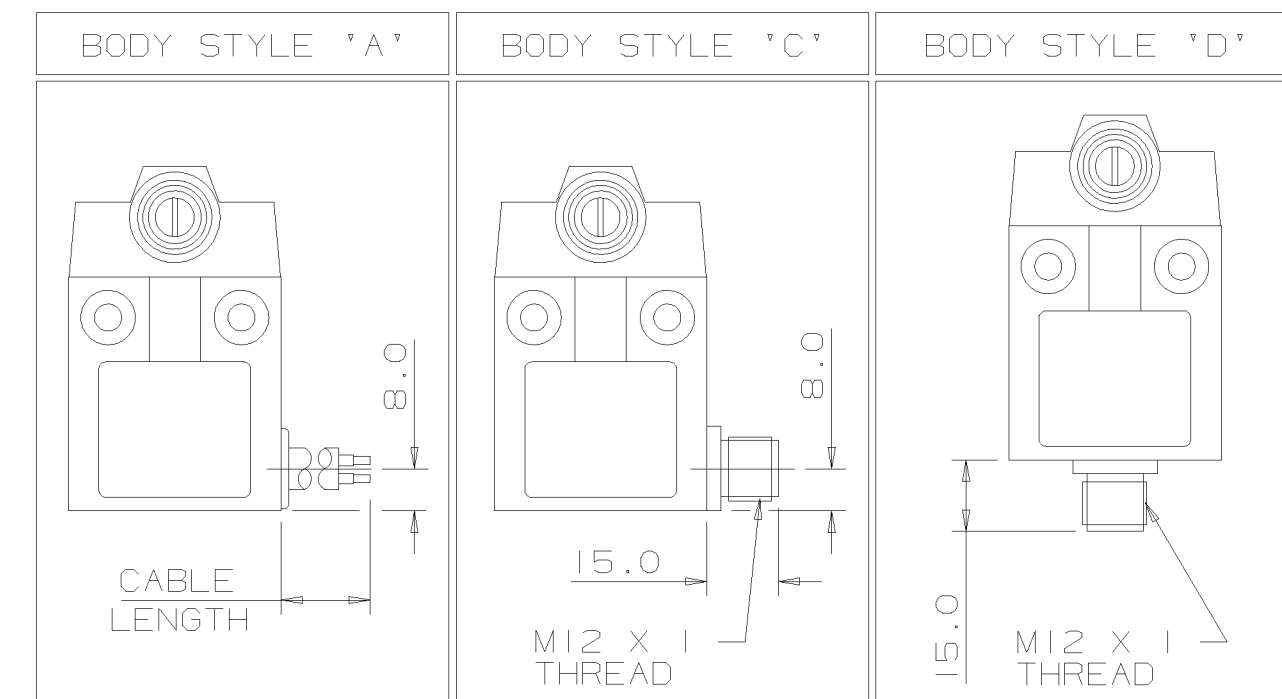
Honeywell  
**SEALED LIMIT SWITCH**  
CHART NUMBER  
**MTG-CE-294**



- NOTES:-
1. DIE CAST ZINC HOUSING FINISHED IN BLACK PAINT.
  2. ALL LISTINGS IEC-947-5-1 APPROVED EXCEPT THOSE LISTINGS WHICH INCLUDE SWITCH TYPE '7'.
  3. LEVERS MAY BE ATTACHED TO SHAFT IN ANY POSITION THROUGH 360°. THEY MAY ALSO BE REVERSED.
  4. STANDARD LISTINGS CAN HAVE SUFFIX 'RS' OR 'FE'.



ELECTRICAL RATING				ENVIRONMENTAL	APPROVALS	CHARACTERISTICS
SILVER CONTACTS		GOLD CONTACTS		IP68 TEMP RANGE : -40°C TO 90°C -40°F TO 194°F OPERATING AND STORAGE SHOCK : 50G PER IEC 68-2-27 VIBRATION : 10G PER IEC 68-2-6	CE IEC 947-5-1 EN60947-5-1	OPERATING FORCE 7.85 N MAX 800 G RELEASE FORCE 1.0 N MIN 100 G FORCES MEASURED AT 38.1 RADIUS
AC	DC	1 - 50V AC/DC				
D300 Ue	AC14 Ie	R300 Ue	DC13 Ie			
VOLTS	AMPS	VOLTS	AMPS			
120	0.6	125	0.22			
240	0.3	250	0.1			



THE COPYRIGHT OF THIS DRAWING IS THE PROPERTY OF HONEYWELL LTD. THE DRAWING IS SUPPLIED IN CONFIDENCE AND MUST NOT BE USED FOR ANY PURPOSE OTHER THAN THAT FOR WHICH IT IS SUPPLIED.  
SCALE 2/1  
DIMENSIONS ARE IN MM  
TOLERANCES UNLESS OTHERWISE STATED ±0.15  
MODIFY ON CAD SYSTEM ONLY