

MICRO SWITCH
a Honeywell Division

FED. MFG. CODE 91929

SWITCH-BASIC

CATALOG LISTING

MT-4RV36-D73

CATALOG LISTING
MT-4RV36-D73

M

ISSUE
2

REPLACES

RELEASE NO. PR-20604

CHECK

REVISIONS
A CO-78138
LJP
25 AUG 94

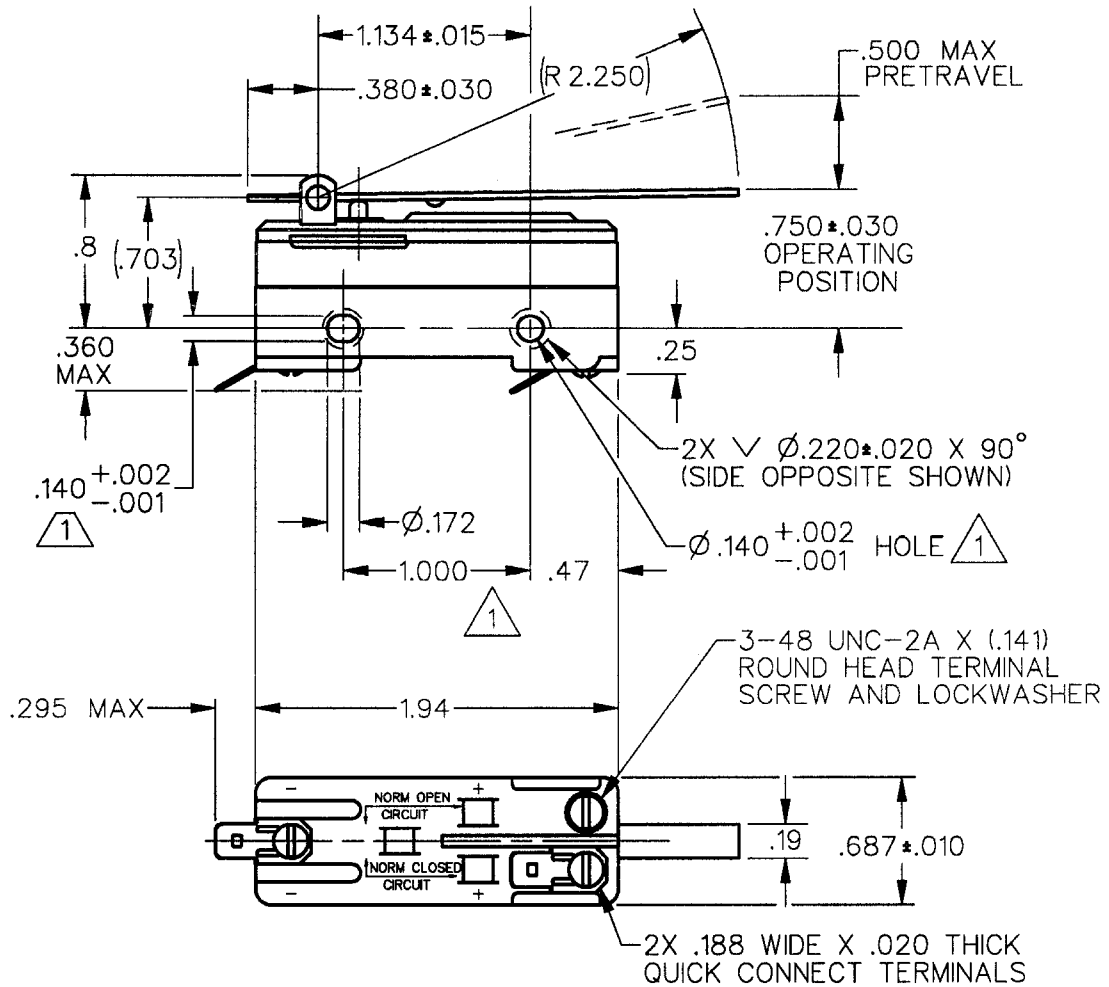
CHECK

G R T 24 MAY 93

CHECK

D H D 21 MAY 93

DDM/CAD
DRAWN



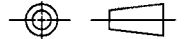
NOTES

- 1 MOUNTING HOLES WILL ACCEPT PINS OR SCREWS OF $\varnothing.139$ MAX ON $1.000 \pm .002$ CENTERS
- 2 - FOR BEST RESULTS EITHER POLARIZE THE SWITCH WITH COMMON TERMINAL BEING OF NEGATIVE POLARITY OR MOUNT THE SWITCH WITH BRASS SCREWS AND SPACE AT LEAST .250 FROM MAGNETIC MATERIALS

ANSI Y14.5M-1982 APPLIES

THIS DRAWING COVERS A PROPRIETARY ITEM AND IS THE PROPERTY OF MICRO SWITCH, A DIVISION OF HONEYWELL. THIS DRAWING IS NOT TO BE COPIED OR USED WITHOUT THE APPROVAL OF MICRO SWITCH.

THIRD ANGLE PROJECTION



CHARACTERISTICS	ELECTRICAL DATA				SCALE FULL	DO NOT SCALE PRINT
	CONTACT ARRANGEMENT S P D T				UNLESS OTHERWISE SPECIFIED TOLERANCES ARE	
OPERATING FORCE - - - 2 1/4 OZ MAX	NON-POLARIZED	VOLTS DC 125	MOTOR 1/4 HP +	RESISTIVE 10 AMPS	ONE PLACE (.0)	± .030
RELEASE FORCE - - - - - 1/2 OZ MIN		250	-----	1.5 TO 3.0*	TWO PLACE (.00)	± .015
DIFFERENTIAL TRAVEL - - - .080 MAX	POLARIZED OR NON-MAGNETICALLY MOUNTED	VOLTS DC 125	MOTOR 1/2 HP +	RESISTIVE 10 AMPS	THREE PLACE (.000)	± .005
OVERTRAVEL - - - - - .040 MIN		250	-----	1.5 TO 3.0*	ANGLES	±
* NOT SUITABLE FOR USE AT LESS THAN 1.5 AMPS + WILL NOT BREAK LOCKED MOTOR CURRENT						
L168 (NON-POLARIZED) 10A 125 VAC-DC				WEIGHT		

