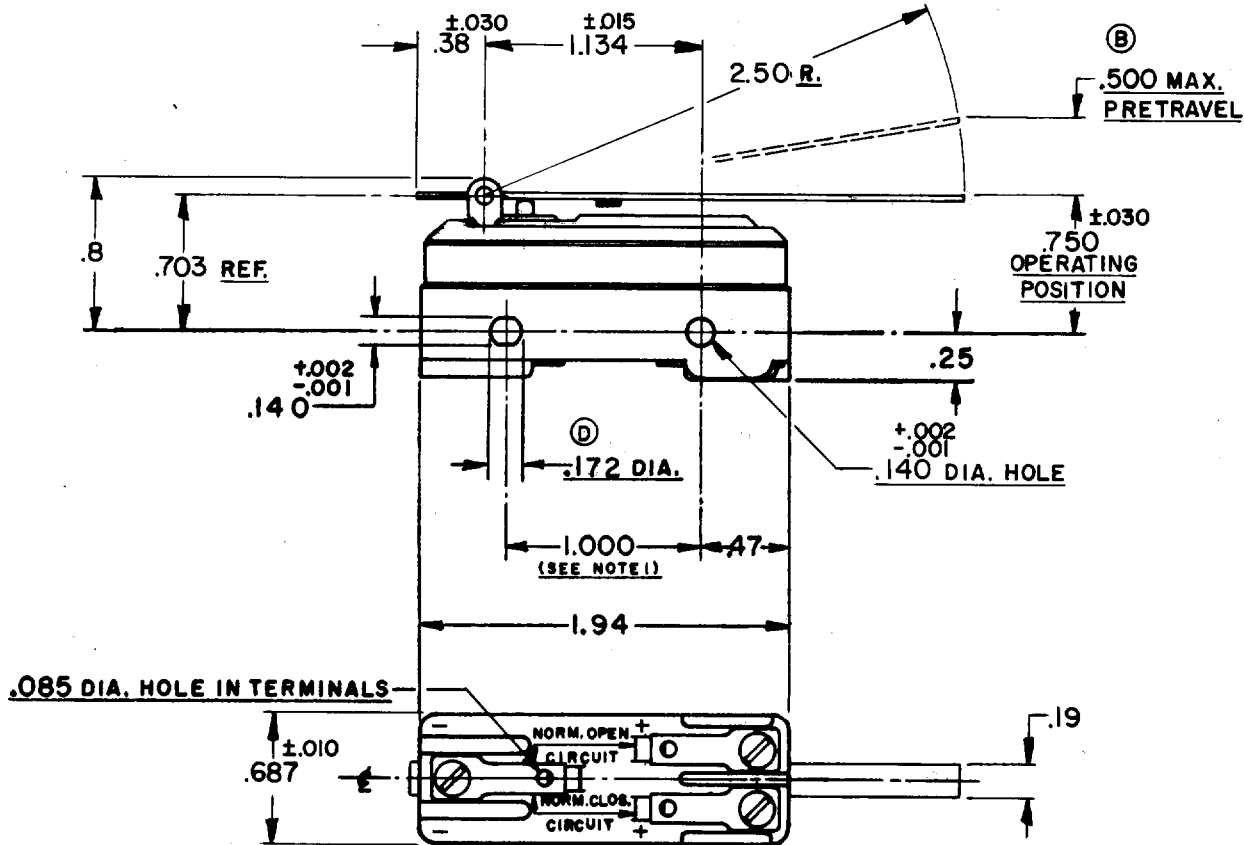


MICRO SWITCH

A DIVISION OF MINNEAPOLIS-HONEYWELL REGULATOR COMPANY
 ST. LOUIS, MISSOURI
 FED. MFR. CODE 91929

SWITCH - BASIC

CATALOG LISTING
MT-4 RV



- NOTE -**
- 1- MOUNTING HOLES WILL ACCEPT PINS OR SCREWS OF .139 MAX. DIA. ON 1.000 ±.002 CENTERS.
 - 2- FOR BEST RESULTS EITHER POLARIZE THE SWITCH WITH COMMON TERMINAL BEING OF NEGATIVE POLARITY OR MOUNT THE SWITCH WITH BRASS SCREWS AND SPACE AT LEAST .250 FROM MAGNETIC MATERIALS.

THIS DRAWING COVERS A PROPRIETARY ITEM AND IS THE PROPERTY OF MICRO SWITCH, A DIVISION OF HONEYWELL. THIS DRAWING IS NOT TO BE COPIED OR USED WITHOUT THE APPROVAL OF MICRO SWITCH.

CHARACTERISTICS

OPERATING FORCE ----- 2 OZ. MAX. (A)
 RELEASE FORCE ----- 1/2 OZ. MIN.
 DIFFERENTIAL TRAVEL ----- (A) .085 MAX.
 OVERTRAVEL ----- .047 MIN. (C)

ELECTRICAL DATA

CONTACT ARRANGEMENT
 S.P.D.T.

NON-POLARIZED	VOLTS D-C 125 250	MOTOR 1/4 HP + -	RESISTIVE 10 AMPS 1.5 TO 2.0*
POLARIZED OR NON-MAGNETICALLY MOUNTED	VOLTS D-C 125 250	MOTOR 1/2 HP + -	RESISTIVE 10 AMPS 1.5 TO 2.0*

* NOT SUITABLE FOR USE AT LESS THAN 1.5 AMPS + WILL NOT BREAK LOCKED ROTOR CURRENT

SCALE FULL

DO NOT SCALE PRINT

UNLESS OTHERWISE SPECIFIED
 DIMENSIONS ARE IN INCHES
TOLERANCES ARE:
 ONE PLACE (.0) ±.030
 TWO PLACE (.00) ±.015
 THREE PLACE (.000) ±.005
 ANGLES ±

WEIGHT .071 LB.

MT-4RV
 M
 DRAWING NUMBER
 ISSUE
 REVISIONS
 A C.O. 9799 C.M.A. 9 AUG. 55
 B C.O. 11613 N.H.L. 31 JULY 57
 C C.O. 12369 K.L.B. 11 DEC. 57
 D C.O. 13960 M.B.F. 22 OCT 59
 E C.O. 35255 W.J.M. 26 NOV 79
 G.C.A. 19 AUG 55
 9 AUG. 55
 74-95