

# MICRO SWITCH

FREEPORT ILLINOIS, U.S.A  
A DIVISION OF HONEYWELL  
FED. MFG. CODE 91929

# SWITCH - BASIC

CATALOG LISTING  
**MT-4R4-A69**

MT-4R4-A69

M

DRAWING NUMBER

ISSUE

3

REPLACES

PR-4565

RELEASE NO.

CHECK

REVISIONS

A	C035255
D B W	MAY 75
B	C046819
W J M	26 NOV 79

CHECK

7 NOV 74

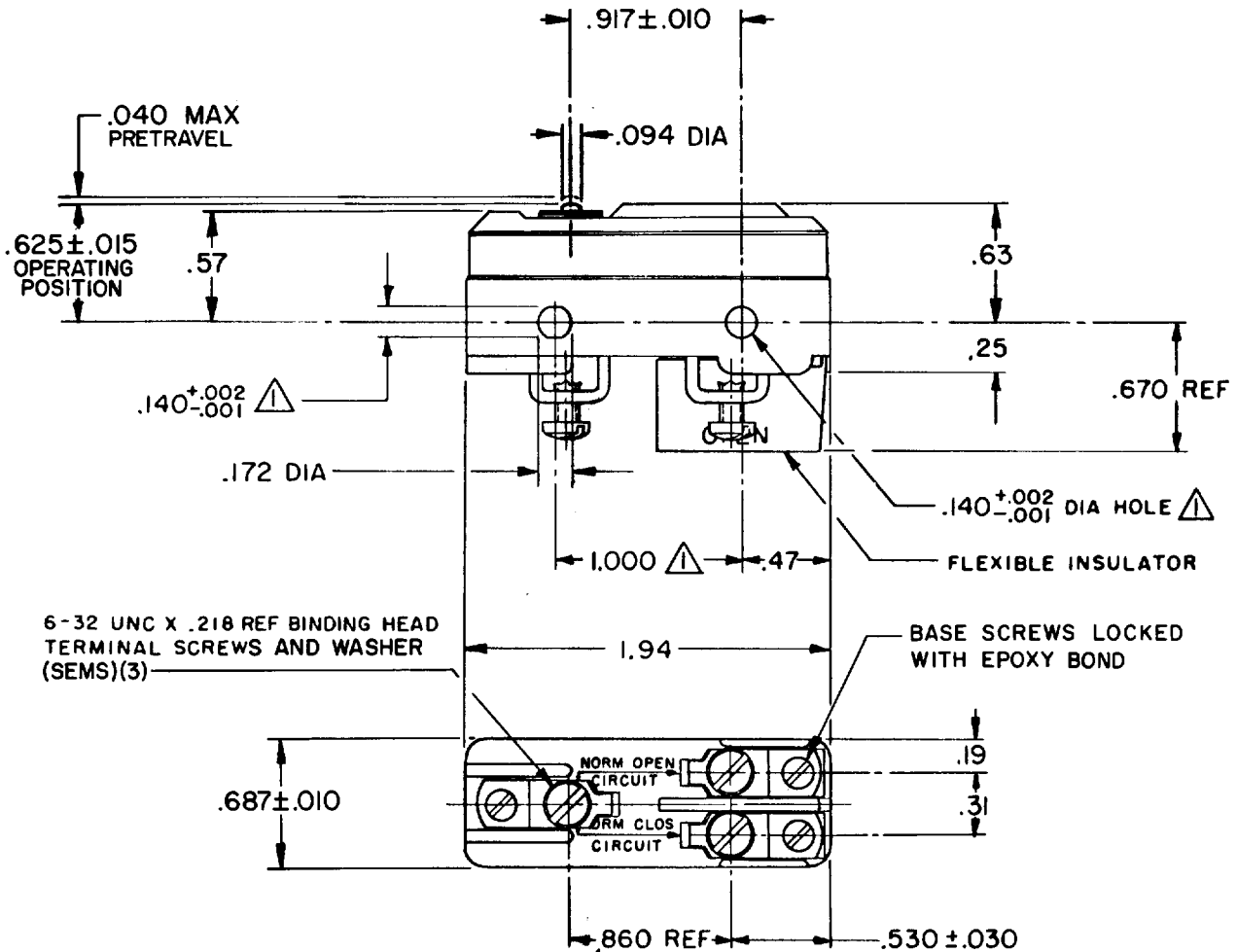
CHECK

7 NOV 74

NOV 74

NOV 74

FO-52848-A

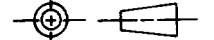


NOTE -

- △ - MOUNTING HOLES WILL ACCEPT PINS OR SCREWS OF .139 MAX DIA ON 1.000 ± .002 CENTERS.
- 2 - FOR BEST RESULTS, EITHER POLARIZE THE SWITCH WITH COMMON TERMINAL BEING OF NEGATIVE POLARITY OR MOUNT THE SWITCH WITH BRASS SCREWS AND SPACE AT LEAST .250 FROM MAGNETIC MATERIALS

THIS DRAWING COVERS A PROPRIETARY ITEM AND IS THE PROPERTY OF MICRO SWITCH, A DIVISION OF HONEYWELL. THIS DRAWING IS NOT TO BE COPIED OR USED WITHOUT THE APPROVAL OF MICRO SWITCH.

THIRD ANGLE PROJECTION



CHARACTERISTICS	ELECTRICAL DATA	SCALE FULL
OPERATING FORCE-----22-35 OZ	CONTACT ARRANGEMENT S P D T	DO NOT SCALE PRINT
RELEASE FORCE-----8 OZ MIN	NON-POLARIZED VOLTS D-C 125 250 MOTOR 1/4 HP+ -	TOLERANCES APPLY TO DESIGN UNITS. CONVERSIONS ARE ONLY FOR REFERENCE. UNLESS NOTED, TOLERANCES ARE ±
DIFFERENTIAL TRAVEL-----.004-.007	POLARIZED OR NON-MAGNETICALLY MOUNTED VOLTS D-C 125 250 MOTOR 1/2 HP+ -	DIM. mm/in TOL. mm/in DIM. in TOL. mm/in
OVERTRAVEL-----.005 MIN	* NOT SUITABLE FOR USE AT LESS THAN 1.5 AMPS + WILL NOT BREAK LOCKED MOTOR CURRENT	NO PLACES X 1/.04 ONE PLACE X,X 0.4/.016 TWO PLACES X,XX 0.15/.008 THREE PLACES X,XXX ANGLES
	UL LISTED - FILE E12252 CODE L168 10A-125 VAC-DC 1/4HP-125 VAC-DC	SI METRIC <input type="checkbox"/> US CUSTOMARY <input checked="" type="checkbox"/>
		DESIGN UNITS <input type="checkbox"/> WEIGHT