

**MICRO SWITCH**  
a Honeywell Division

FED. MFG. CODE 91929

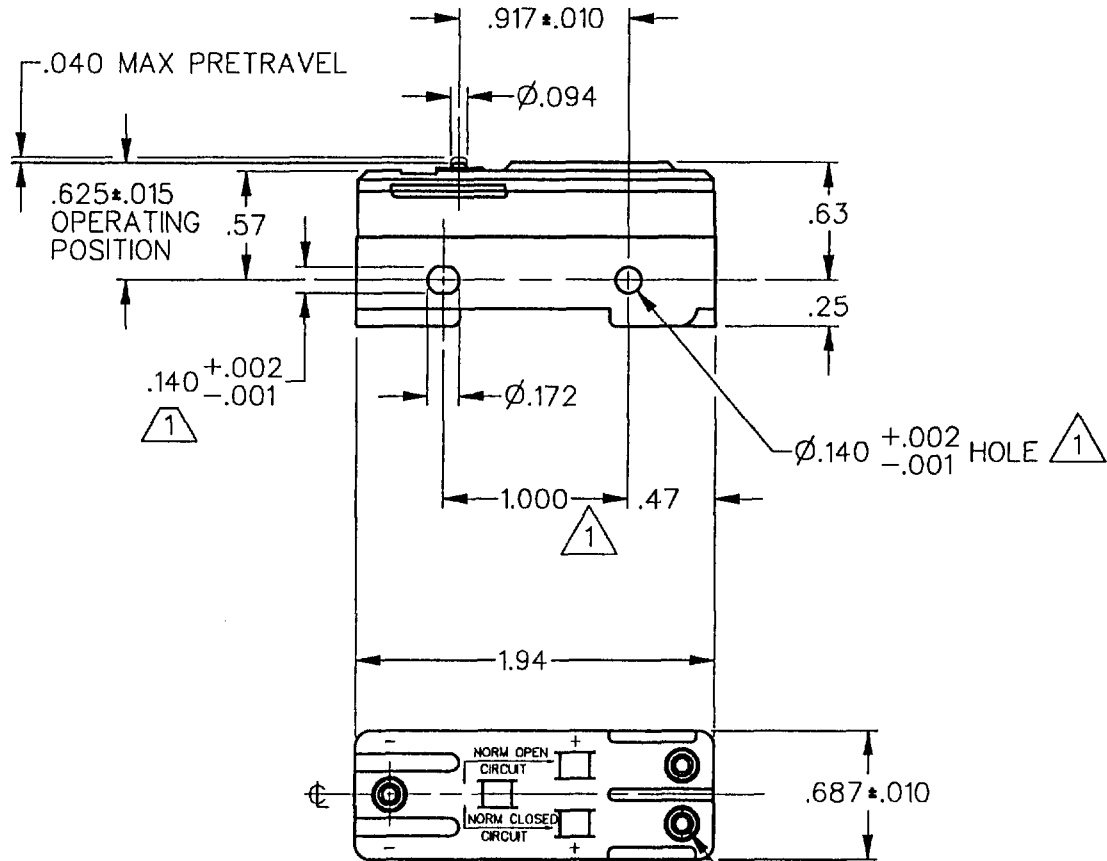
SWITCH-BASIC

CATALOG LISTING

MT-4R27

CATALOG LISTING  
MT-4R27  
PAGE 1 OF 1  
ISSUE 2

REPLACES X93095-MT  
RELEASE NO. PR-20232  
CHECK  
REVISIONS  
A 202791  
C.S.L.  
6 APR 01  
CHECK  
8 OCT 92  
D.C.S.  
CHECK  
2 OCT 92  
D.H.D.  
DRAWN

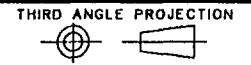


3-48 UNC THREAD .125 MIN DEPTH IN INSERT FOR TERMINAL CONNECTION

- NOTE
- 1 MOUNTING HOLES WILL ACCEPT PINS OR SCREWS OF Ø.139 MAX ON 1.000±.002 CENTERS
  - 2 - FOR BEST RESULTS EITHER POLARIZE THE SWITCH WITH COMMON TERMINAL BEING OF NEGATIVE POLARITY OR MOUNT THE SWITCH WITH BRASS SCREWS AND SPACE AT LEAST .250 FROM MAGNETIC MATERIALS

ANSI Y14.5M-1982 APPLIES

THIS DRAWING COVERS A PROPRIETARY ITEM AND IS THE PROPERTY OF MICRO SWITCH, A DIVISION OF HONEYWELL. THIS DRAWING IS NOT TO BE COPIED OR USED WITHOUT THE APPROVAL OF MICRO SWITCH.



CHARACTERISTICS	ELECTRICAL DATA	SCALE FULL		DO NOT SCALE PRINT
		UNLESS OTHERWISE SPECIFIED TOLERANCES ARE		
OPERATING FORCE - - - - 12-18 OZ	CONTACT ARRANGEMENT S P D T	ONE PLACE (.)	±.030	
RELEASE FORCE - - - - 5 OZ MIN		TWO PLACE (.00)	±.015	
DIFFERENTIAL TRAVEL - - -.004-.007	L168 (NON-POLARIZED) 10A 125 VAC-DC 1/4HP 125 VAC-DC	THREE PLACE (.000)	±.005	
OVERTRAVEL - - - - .005 MIN		ANGLES	±	
		WEIGHT	.060 LB	

