

MICRO SWITCH

SWITCH - BASIC

MT-4R-PI

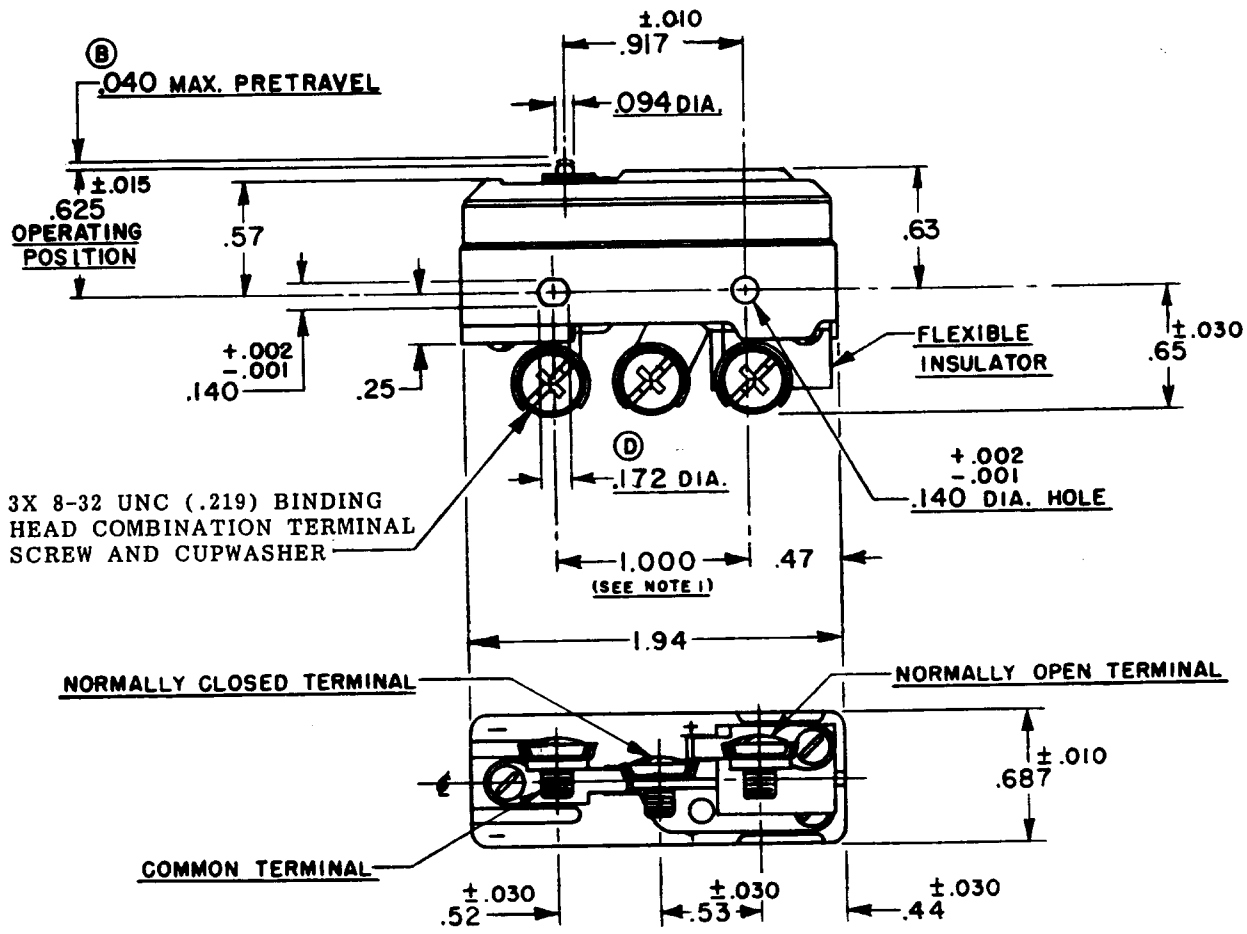
A DIVISION OF HONEYWELL-ROBTELL REGULATOR COMPANY
 PROPOSE, BARRING
FED. MFR. CODE 91929

THIS DRAWING COVERS A PROPRIETARY ITEM AND IS THE PROPERTY OF MICRO SWITCH. A DIVISION OF HONEYWELL. THIS DRAWING IS NOT TO BE COPIED OR USED WITHOUT THE APPROVAL OF MICRO SWITCH.

MT-4R-PI
 (M) MT-4R-PI
 ISSUE 2
 REPLACES
 RELEASE NO.
 DRAWING NUMBER
88
 ISSUE
88
 REVISIONS

| | | | |
|---|------------|--------|------------|
| A | CO.9799 | C.M.A. | 4 AUG. 55 |
| B | CO.11613 | N.H.L. | 31 JULY 57 |
| C | CO.12369 | K.L.B. | 11 DEC. 57 |
| D | CO.13960 | M.B.F. | 22 OCT 59 |
| E | CO.35255 | D.B.W. | 1 MAY 75 |
| F | CO.48819 | W.J.M. | 26 NOV 79 |
| G | CO.73267-C | J.A.L. | 20 OCT 93 |

 CHECK **4. U. 19 Aug. 55**
 CHECK **4. U. 19 Aug. 55**
 CHECK **G.C.H. 19 Aug. 55**
 CHECK **4 AUG. 55**
 DRAWN **74-96**



NOTE -
 1-MOUNTING HOLES WILL ACCEPT PINS OR SCREWS OF .139 MAX. DIA. ON 1.000 ± .002 CENTERS.
 2-FOR BEST RESULTS EITHER POLARIZE THE SWITCH WITH COMMON TERMINAL BEING OF NEGATIVE POLARITY OR MOUNT THE SWITCH WITH BRASS SCREWS AND SPACE AT LEAST .250 FROM MAGNETIC MATERIALS.

| CHARACTERISTICS | | ELECTRICAL DATA | | | | SCALE FULL | |
|---------------------|---------------|---|-------------------------|--------------------------|-------------------------------------|----------------------------|----------|
| OPERATING FORCE | 12-18 OZ. (A) | CONTACT ARRANGEMENT | | DO NOT SCALE PRINT | | UNLESS OTHERWISE SPECIFIED | |
| RELEASE FORCE | 5 OZ. MIN. | S. P. D. T. | | DIMENSIONS ARE IN INCHES | | TOLERANCES ARE: | |
| DIFFERENTIAL TRAVEL | .004-.007 | NON-POLARIZED | VOLTS D-C 125 250 | MOTOR 1/4 HP + - | RESISTIVE 10 AMPS 1.5 TO 3.0* | ONE PLACE (.0) | ±.030 |
| OVERTRAVEL | .005 MIN. | POLARIZED OR NON-MAGNETICALLY MOUNTED | VOLTS D-C 125 250 | MOTOR 1/2 HP + - | RESISTIVE 10 AMPS 1.5 TO 3.0* | TWO PLACE (.00) | ±.015 |
| | | * NOT SUITABLE FOR USE AT LESS THAN 1.5 AMPS + WILL NOT BREAK LOCKED ROTOR CURRENT | | | | THREE PLACE (.000) | ±.005 |
| | | UNR, LAB. INC. LISTED RATING (NON-POLARIZED) - 125-150 A - 125 VDC OR AC; 1/4 HP - 125 VDC OR AC | | | | ANGLES | ±.005 |
| | | | | | | WEIGHT | .075 LB. |