

# HONEYWELL

*See full Datasheet below...*

**onlinecomponents.com**  
*THE ONLINE DISTRIBUTOR OF ELECTRONIC COMPONENTS*

**BUY NOW**

 **MASTER**<sup>TM</sup>  
E L E C T R O N I C S

**BUY NOW**

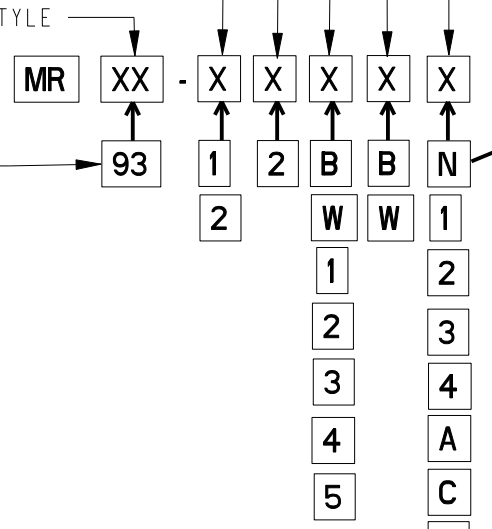
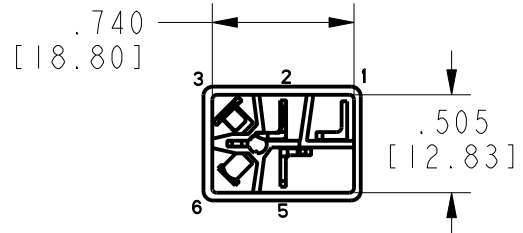
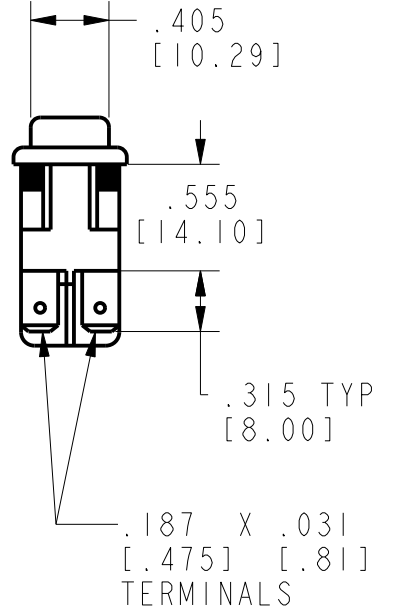
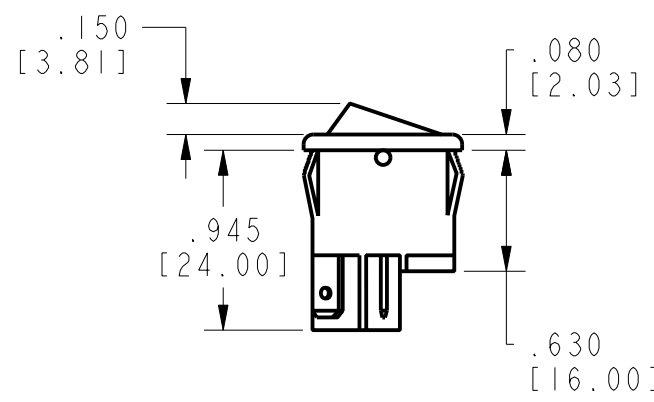
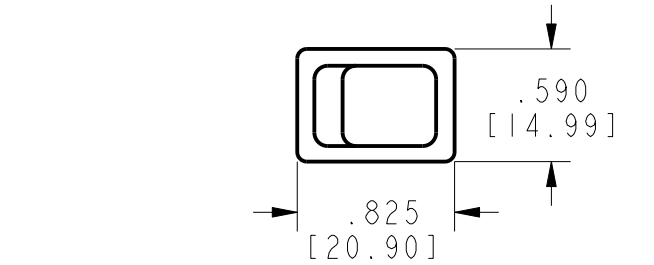
masterelectronics.com & onlinecomponents.com  
are **authorized** e-commerce distributors  
of electronic components.

HONEYWELL  
PART NUMBER  
4

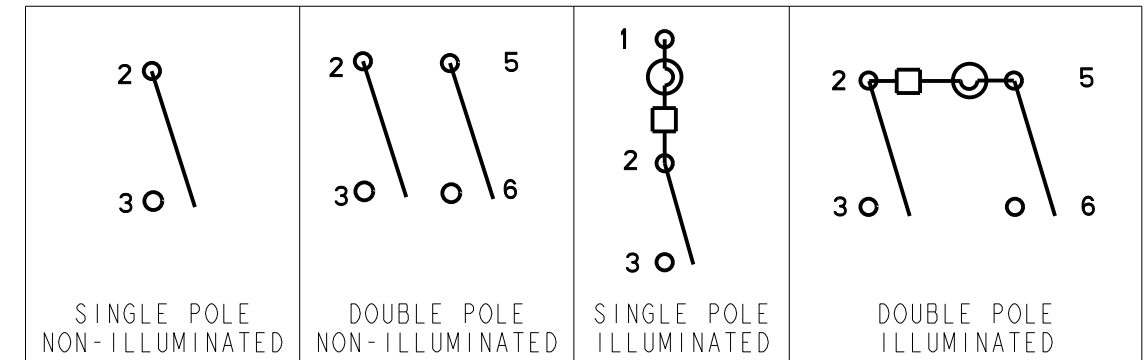
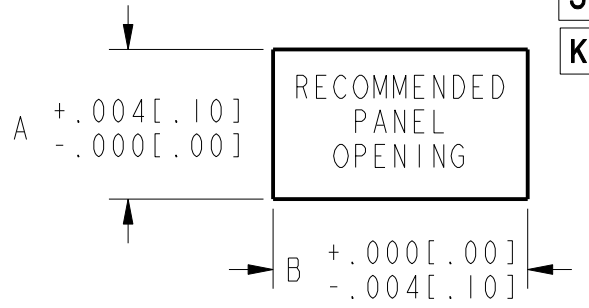
REV	DOCUMENT	CHANGED BY	CHECK
A	0016254	KSR 27OCT05	RJ

ACTUATOR COLOR <sup>7</sup>  
(NON-ILLUMINATED: B=BLACK, W=WHITE)  
(ILLUMINATED: 1=CLEAR AMBER, 2=CLEAR RED, 3=CLEAR BLUE, 4=CLEAR GREEN, 5=CLEAR)

CIRCUITRY <sup>5</sup>  
NUMBER OF POLES (1=SP-SINGLE POLE, 2=DP-DOUBLE POLE)  
TERMINAL STYLE  
BASE/BEZEL COLOR (B=BLACK, W=WHITE)  
LAMP/ELECTRICAL RATING <sup>6</sup>



CODE <sup>6</sup>	LAMP	RATING
N	NON-ILLUMINATED	8A, 250VAC 12A, 125VAC 1/2 HP, 125-250VAC UL, CSA
1	UNBALLASTED LED	N/A
2	6V LED	12A, 6V
3	12V LED	12A, 12V
4	24V LED	12A, 24V
A	6V INCANDESCENT	12A, 6V
C	12V INCANDESCENT	12A, 12V
E	18V INCANDESCENT	12A, 18V
H	24V INCANDESCENT	12A, 24V
J	125V NEON	12A, 125VAC UL, CSA
K	250V NEON	8A, 250VAC UL, CSA



PANEL THICKNESS	A	B
.030 [.76] - .050 [1.27]	.508 [12.90]	.756 [19.20]
.050 [1.27] - .078 [1.98]	.508 [12.90]	.764 [19.40]
.078 [1.98] - .125 [3.17]	.508 [12.90]	.780 [19.81]

CIRCUIT DIAGRAMS <sup>5</sup>

- 1 - OPERATING TEMPERATURE RANGE : 32°F TO 185°F
- 2 - ELECTRICAL LIFE : 50,000 CYCLES
- 3 - MECHANICAL LIFE : 100,000 CYCLES
- <sup>4</sup> SEE DIAGRAM FOR CATALOGING SCHEME
- <sup>5</sup> REFER TO APPLICABLE CIRCUIT DIAGRAM
- <sup>6</sup> REFER TO TABLE FOR SPECIFIC LAMPS AND ELECTRICAL RATINGS
- <sup>7</sup> CLEAR BLUE ACTUATOR ONLY AVAILABLE WITH INCANDESCENT LAMPS

DESIGN UNITS: INCH  
TOLERANCES UNLESS NOTED:

NO PLACE	X	±	0.040
ONE PLACE	.X	±	0.030
TWO PLACE	.XX	±	0.015
THREE PLACE	.XXX	±	0.005
FOUR PLACE	.XXXX	±	0.0005
ANGLES	X	±	2

DRAWN	NM	13 JUN 05
CHECK	RJ	27OCT05
THIS DRAWING COVERS A PROPRIETARY ITEM AND IS THE PROPERTY OF HONEYWELL. THIS DRAWING IS NOT TO BE COPIED OR USED WITHOUT THE PERMISSION OF HONEYWELL.		
INTERPRET PER ASME Y14.5M-1994 OTHER HONEYWELL ENGINEERING STANDARDS MAY APPLY		
Pro/ENGINEER	2D	

**Honeywell**

**SWITCH , ROCKER**

SIZE	TYPE	DRAWING NAME	REV
<b>B</b>	<b>I</b>	<b>MR SERIES CHART 1</b>	<b>A</b>

