

MICROSWITCH
a Honeywell Division

FED. MFG. CODE 91929

SWITCH - ENCLOSED

CATALOG LISTING
LSQUC3K170

LSQUC3K170

CATALOG LISTING

ISSUE 2

REVISIONS
A CO-92473
GLH
8 JAN 98

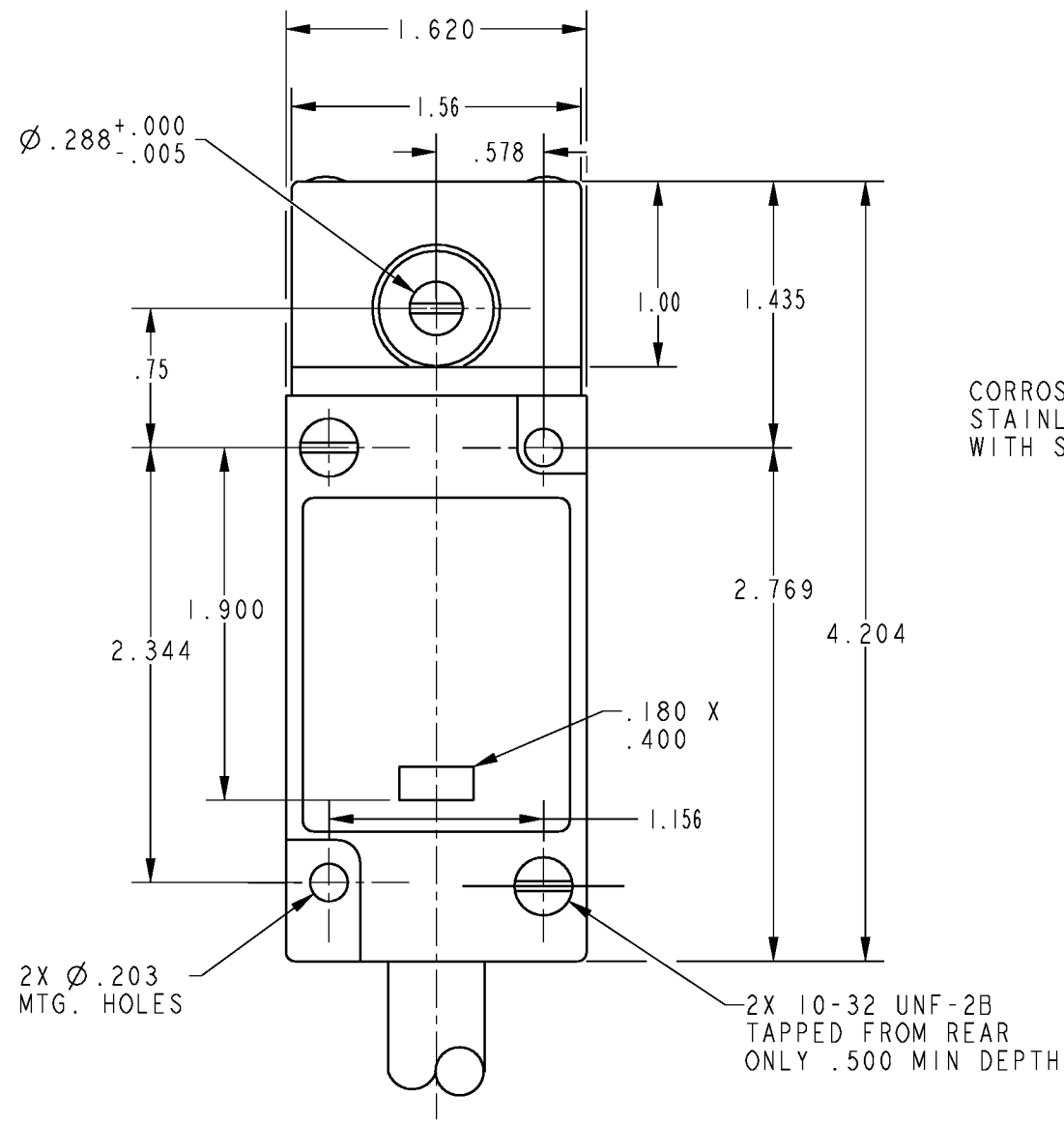
CHECK 20 MAY 96

SAV

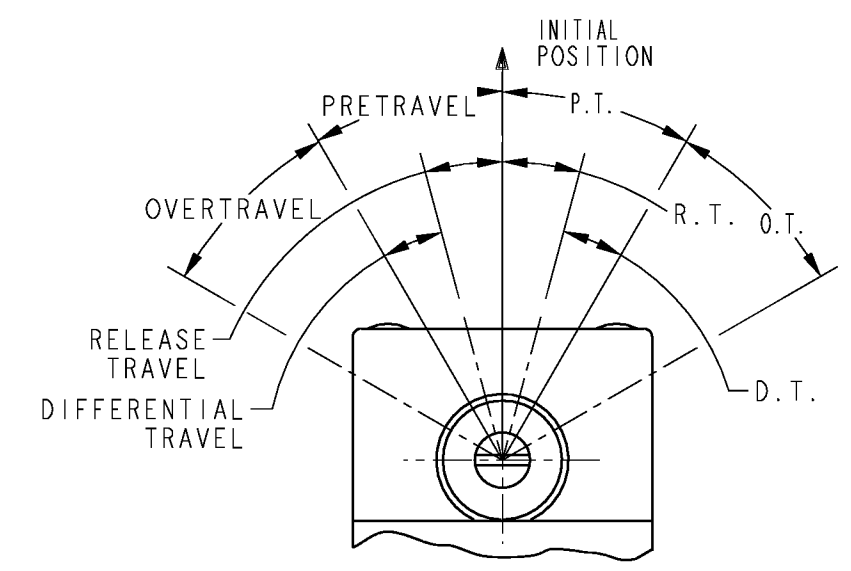
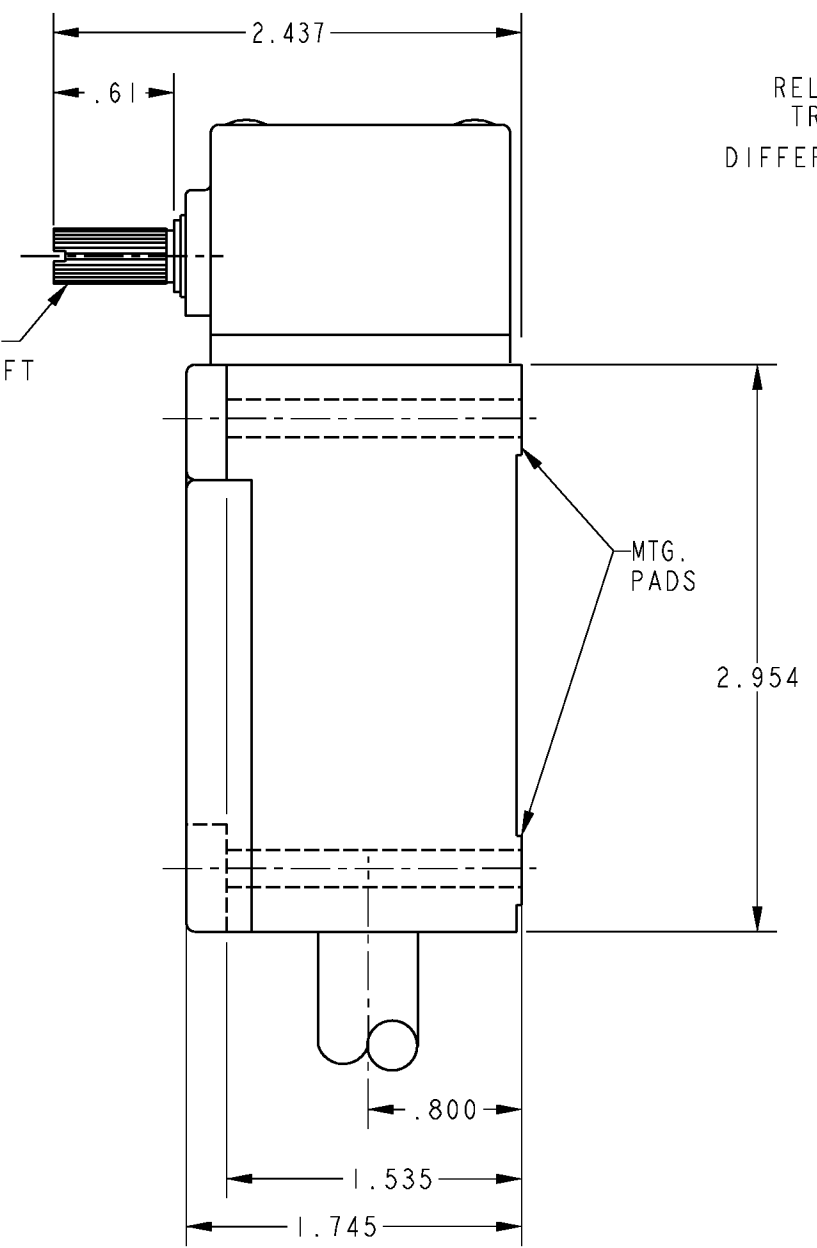
CHECK 10 APR 96

PTC/CAD
DRAWN
GLH

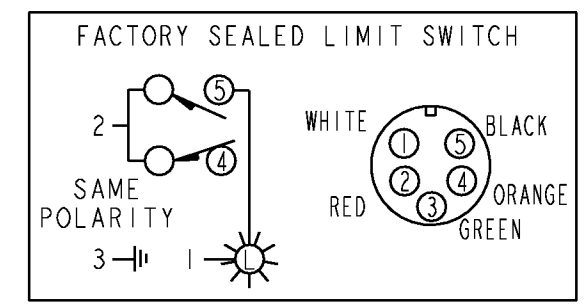
REPLACES
RELEASE NO. CO-81200
PAGE 1 OF 1
CHECK
CHECK
CHECK



CORROSION RESISTANT
STAINLESS STEEL SHAFT
WITH STRAIGHT KNURL



OPERATING DATA - SIDE ROTARY



NOTE: NUMBERS ON THIS
DIAGRAM REFER TO
CONNECTOR PINS ONLY

THIS DRAWING COVERS A PROPRIETARY ITEM AND IS THE PROPERTY OF MICRO SWITCH, A DIVISION OF HONEYWELL. THIS DRAWING IS NOT TO BE COPIED OR USED WITHOUT THE APPROVAL OF MICRO SWITCH

CHARACTERISTICS	ELECTRICAL DATA
OPERATING TORQUE ----- 4 IN LBS MAX	CONTACT ARRANGEMENT
FULL TRAVEL TORQUE ----- 4 IN LBS MAX	SPDT
TOTAL TRAVEL ----- 85° REF	
PRETRAVEL ----- 5° MAX	
DIFFERENTIAL TRAVEL ----- 3° MAX	
OVERTRAVEL ----- 80° MIN	

THIRD ANGLE PROJECTION	
SCALE	FULL
DO NOT SCALE PRINT	
UNLESS OTHERWISE SPECIFIED TOLERANCES ARE	
ONE PLACE	(.0) ± .030
TWO PLACE	(.00) ± .015
THREE PLACE	(.000) ± .005
ANGLES	±
WEIGHT	

NOTES
1 - 16 GAGE, TYPE STO, 5 CONDUCTOR CABLE
2 - BASIC SWITCH TERMINAL AREA AND CABLE
EPOXY SEALED IN HOUSING

ANSI Y14.5M-1982 APPLIES