

MICRO SWITCH

A DIVISION OF MINNEAPOLIS-HONEYWELL REGULATOR COMPANY
 FREEPORT, BURLINGHAM
 FED. MFR. CODE 91929

ACTUATOR-SWITCH

CATALOG LISTING

JX-43

(M) SKETCH 22429

REPLACES ISSUE 1

JX-43

M

DRAWING NUMBER

7

8

ISSUE

RELEASE NO. SR-8369

RED 20 JULY 59

CHECK

14 JAN 59

BTG

CHECK

17 MAY 80

CJH

CHECK

20 JUL 59

DLT

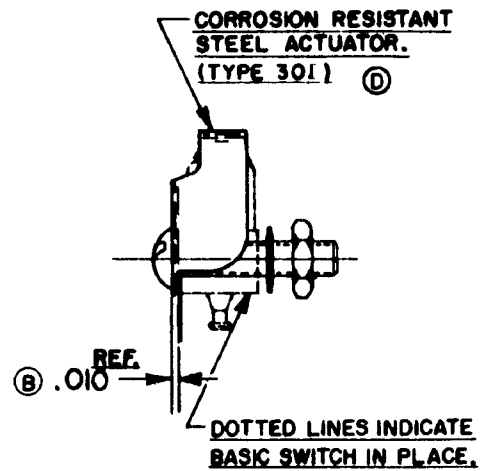
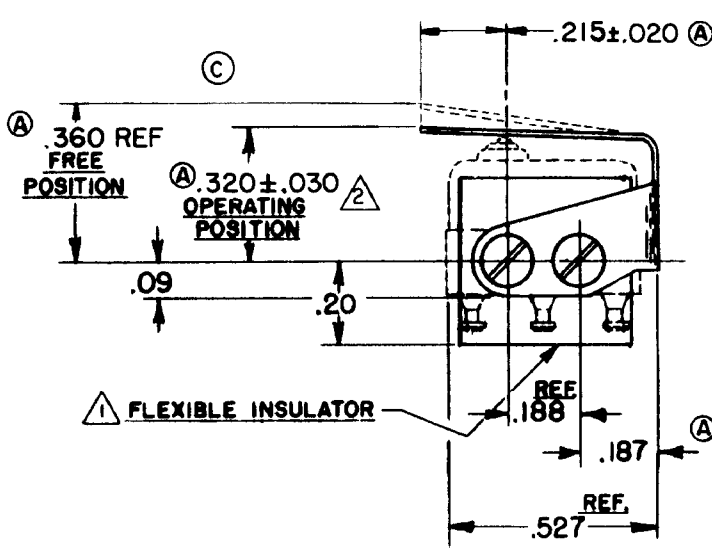
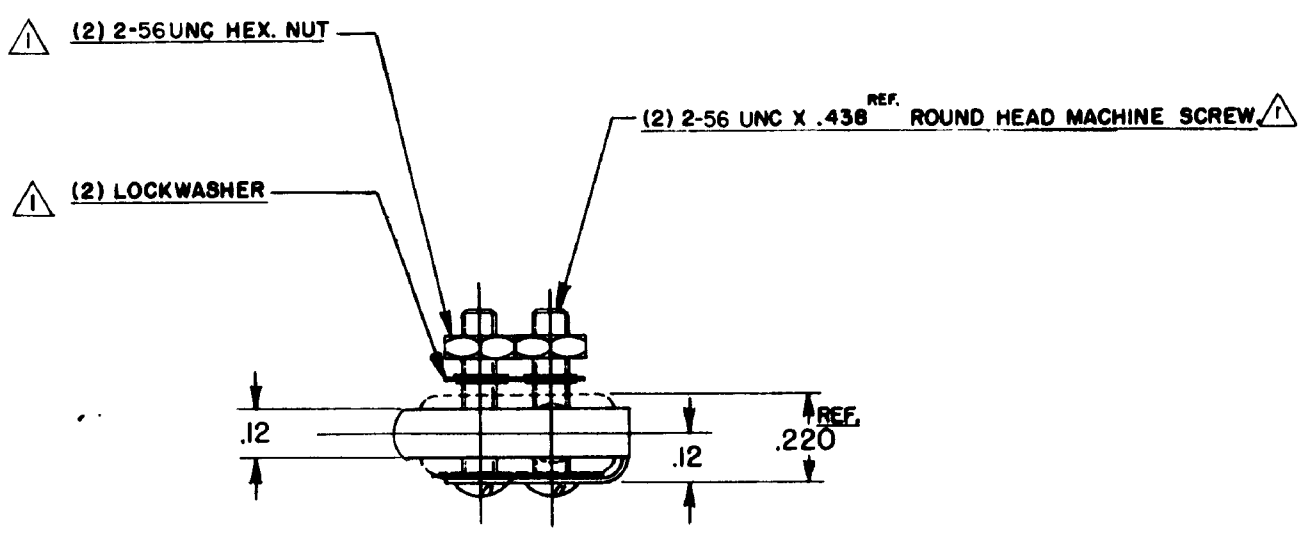
CHECK

13 JAN 59

M.B.F.

DRAWN

FO-50378



NOTE-

- (1) - FURNISHED UNASSEMBLED
- (2) - SLIGHT ROTATION BETWEEN BASIC AND ACTUATOR MAY BE NECESSARY TO OBTAIN OPERATING POSITION

THIS DRAWING COVERS A PROPRIETARY ITEM AND IS THE PROPERTY OF MICRO SWITCH, A DIVISION OF MINNEAPOLIS-HONEYWELL REGULATOR CO. THIS DRAWING IS NOT TO BE COPIED OR USED WITHOUT THE APPROVAL OF MICRO SWITCH.

CHARACTERISTICS WITH 15X1-T BASIC SWITCH INSTALLED	ELECTRICAL DATA		SCALE 2 TO 1
	CONTACT ARRANGEMENT	BREAK DISTANCE	DO NOT SCALE PRINT
OPERATING FORCE ----- 10 OZ MAX			UNLESS OTHERWISE SPECIFIED
RELEASE FORCE ----- 1 OZ MIN			DIMENSIONS ARE IN INCHES
DIFFERENTIAL TRAVEL ----- .025 MAX			TOLERANCES ARE:
OVERTRAVEL ----- .010 MIN			ONE PLACE (.0) ±.030
			TWO PLACE (.00) ±.015
			THREE PLACE (.000) ±.005
			ANGLES ±
			WEIGHT