

MICRO SWITCH

A DIVISION OF MINNEAPOLIS-HONEYWELL REGULATOR COMPANY
 FREEPORT, ILLINOIS

SWITCH-ACTUATOR

FED. MFR. CODE 91929

(M) SKETCH 33378
 ISSUE 1

JX-29

M

DRAWING NUMBER

X 2
 X 5
 X 6
 X 4
 X 5
 X 6

REPLACES

RELEASE NO. PR-20935

14 SEP 05

CHECK RJ

CHECK b

18 DEC 93

CHECK FWF

17 DEC 93

CHECK G1

18 DEC 93

CHECK DAW

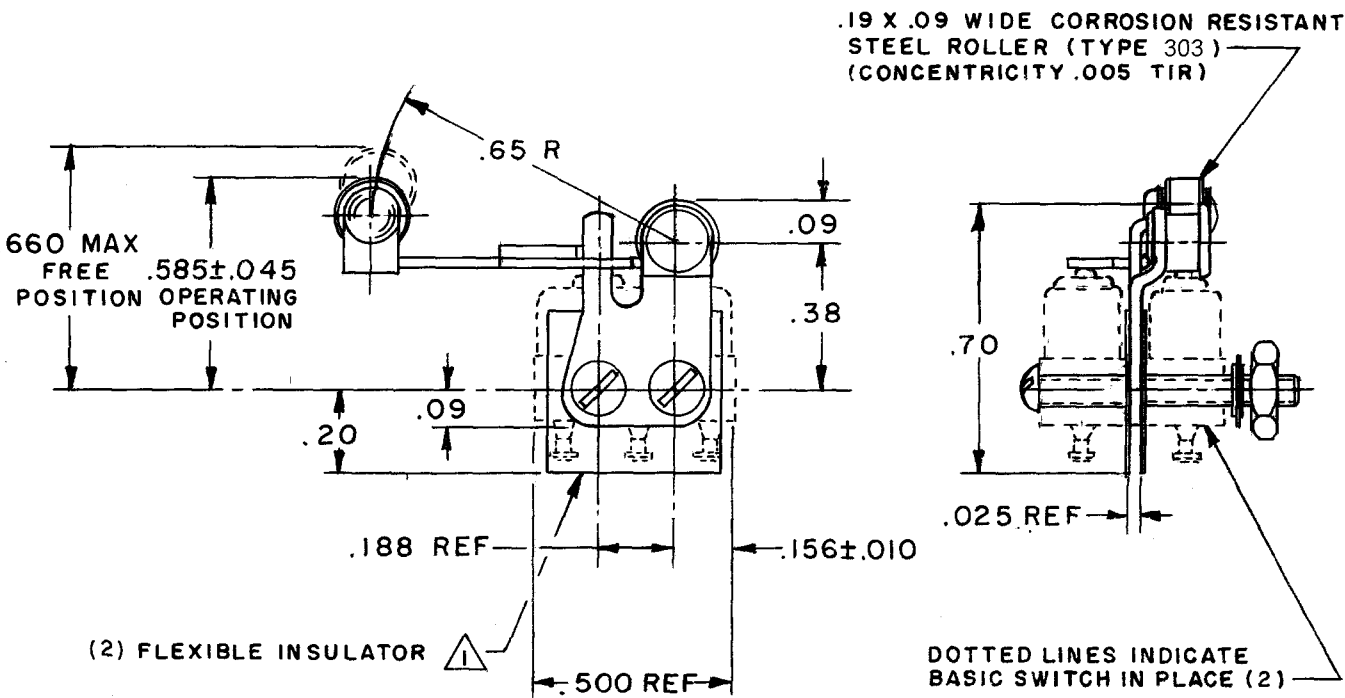
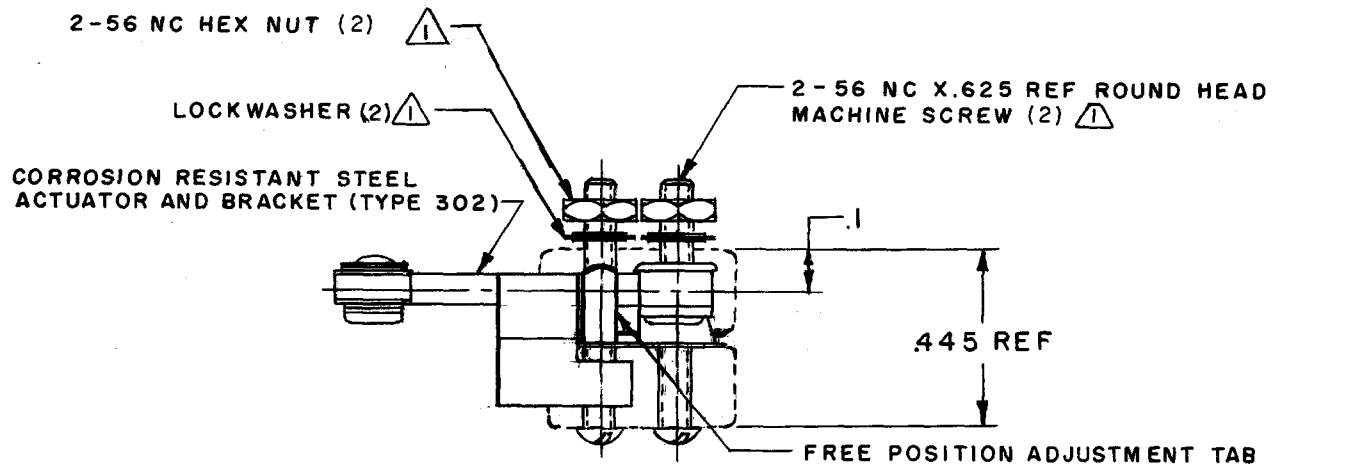
19 DEC 93

CHECK 61

DRAWN

M B F

0-50378



NOTE -
 △ - FURNISHED UNASSEMBLED

THIS DRAWING COVERS A PROPRIETARY ITEM AND IS THE PROPERTY OF MICRO SWITCH, A DIVISION OF MINNEAPOLIS-HONEYWELL REGULATOR CO. THIS DRAWING IS NOT TO BE COPIED OR USED WITHOUT THE APPROVAL OF MICRO SWITCH.

CHARACTERISTICS WITH ISXI-T BASIC SWITCH INSTALLED

OPERATING FORCE	3 OZ MAX (85 GRAMS MAX)
RELEASE FORCE	8 GRAMS MIN (.29 OZ MIN)
DIFFERENTIAL TRAVEL	.030 MAX
OVERTRAVEL	.020 MIN

ELECTRICAL DATA

CONTACT ARRANGEMENT	BREAK DISTANCE
---------------------	----------------

SCALE 2 TO 1

DO NOT SCALE PRINT

UNLESS OTHERWISE SPECIFIED
 DIMENSIONS ARE IN INCHES

TOLERANCES ARE:

ONE PLACE	(.0)	±.030
TWO PLACE	(.00)	±.015
THREE PLACE	(.000)	±.005
ANGLES		±

WEIGHT