

MICRO SWITCH

A DIVISION OF MINNEAPOLIS-HONEYWELL REGULATOR COMPANY
MINNETONKA, MINNESOTA

FED. MFR. CODE 91929

SWITCH - ACTUATOR

CATALOG LISTING

JX-25

5

JX-25

M

DRAWING NUMBER

8

8

X

6

ISSUE

REVISIONS

A SR 7916

13 NOV 58

B CO14274

13 NOV 58

C CO14723

10 DEC 59

D CO47771

10 JUNE 60

E CO74163

17 MAY 60

F 0015428

22 APR 65

SPK

14 SEP 05

REPLACES

RELEASE NO. SR-7916

CHECK BLS 13 NOV 58

CHECK RED 23 SEPT 58

CHECK GCH 24 NOV 58

CHECK RJ 14 SEP 05

CHECK GCH 24 NOV 58

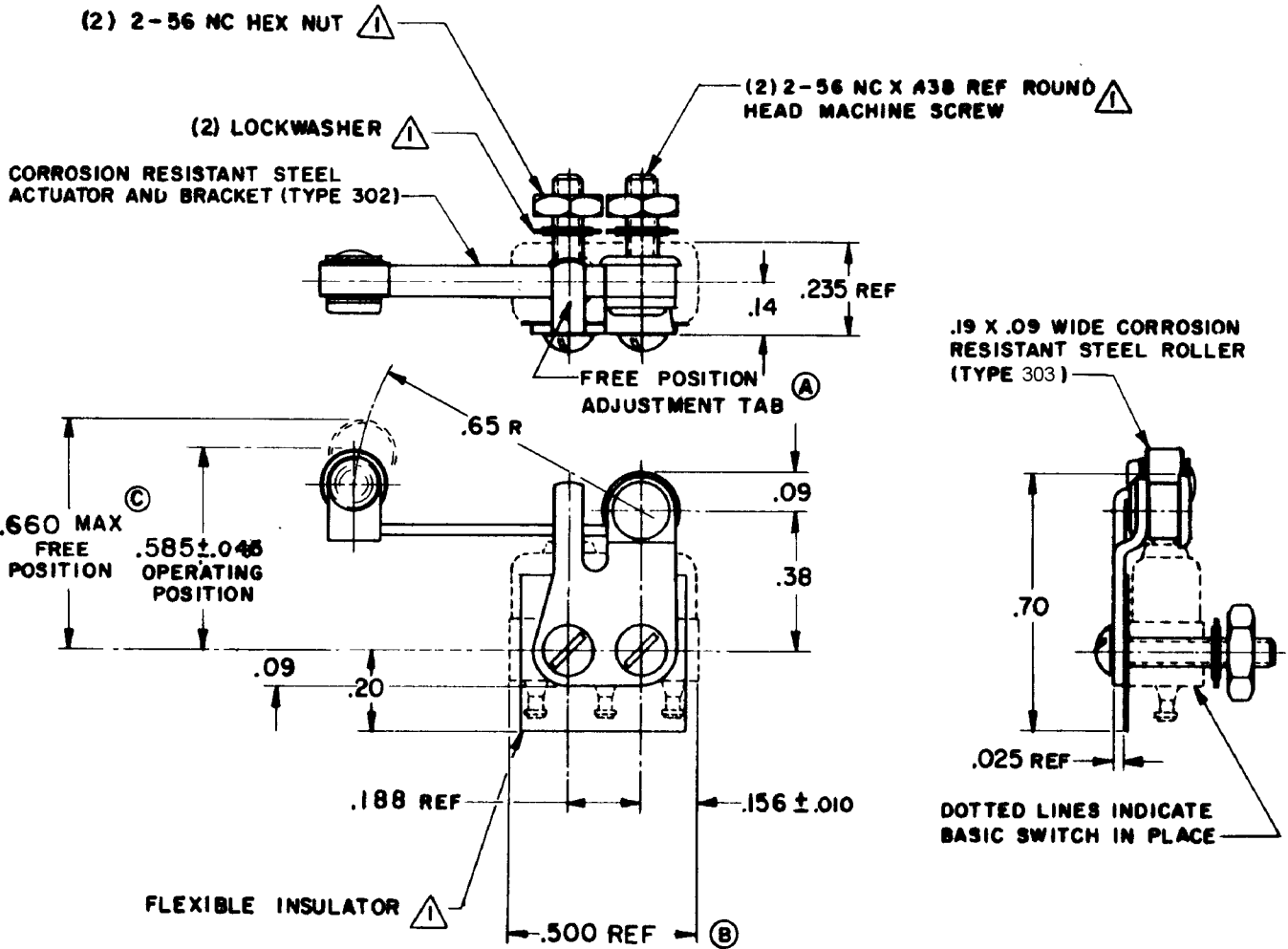
CHECK RJ 14 SEP 05

CHECK GCH 24 NOV 58

CHECK RJ 14 SEP 05

CHECK GCH 24 NOV 58

CHECK RJ 14 SEP 05



NOTE -
▲ - FURNISHED UNASSEMBLED.

CHECK RJ 14SEP05

THIS DRAWING COVERS A PROPRIETARY ITEM AND IS THE PROPERTY OF MICRO SWITCH, A DIVISION OF MINNEAPOLIS-HONEYWELL REGULATOR CO. THIS DRAWING IS NOT TO BE COPIED OR USED WITHOUT THE APPROVAL OF MICRO SWITCH.

CHARACTERISTICS WITH ISX1-T BASIC SWITCH INSTALLED

OPERATING FORCE	1.5 OZ MAX
RELEASE FORCE	4 GRAMS MIN
DIFFERENTIAL TRAVEL	.030 MAX
OVERTRAVEL	.020 MIN

ELECTRICAL DATA

CONTACT ARRANGEMENT BREAK DISTANCE

SCALE 2 TO 1

DO NOT SCALE PRINT

UNLESS OTHERWISE SPECIFIED
DIMENSIONS ARE IN INCHES
TOLERANCES ARE:

ONE PLACE	(.0)	±.030
TWO PLACE	(.00)	±.015
THREE PLACE	(.000)	±.005
ANGLES		±

WEIGHT

FO-50378

DRAWN

R.E.R. 22 SEPT 58