

**MICRO SWITCH**

FREEPORT ILLINOIS, U.S.A  
A DIVISION OF HONEYWELL  
FED. MFG. CODE 91929

**SWITCH - ACTUATOR**

CATALOG LISTING  
**JX-219**

JX-219

M

DRAWING NUMBER

X

ISSUE 3

REPLACES

RELEASE NO. PR-1980

CHECK

71

29 JUL 71

JWH

CHECK

71

29 JUL 71

CHECK

71

28 JUL 71

LS

R C

REVISIONS

A	C029803	RER	29 DEC 71
B	C079303	DAW	7 MAR 95

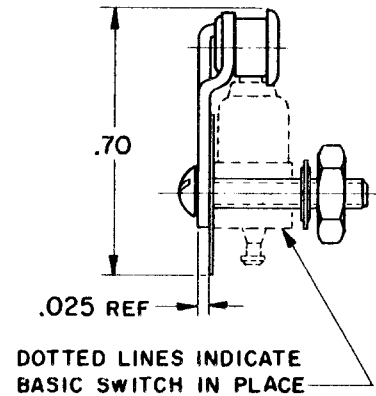
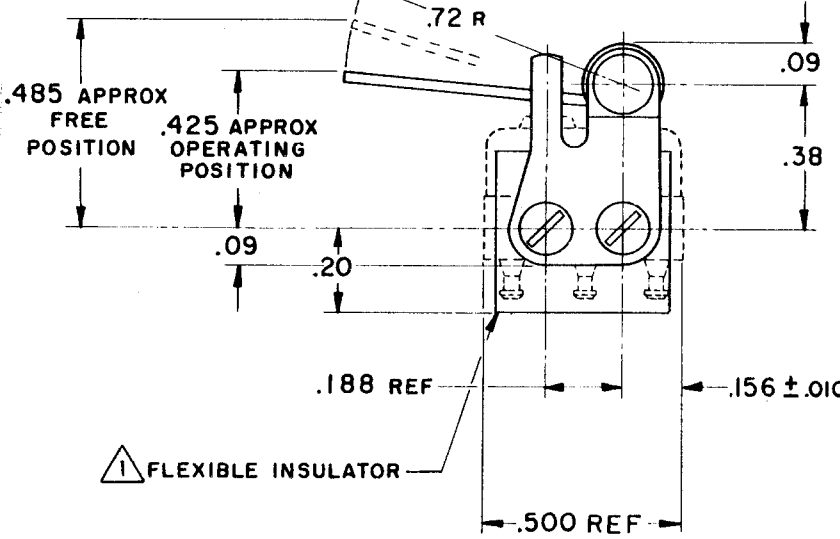
(2) 2-56 NC CORROSION RESISTANT STEEL HEX NUT

CORROSION RESISTANT STEEL LOCKWASHER (2)

(2) 2-56 NC X .438 REF CORROSION RESISTANT STEEL HEAD MACHINE SCREW

CORROSION RESISTANT STEEL ACTUATOR AND BRACKET (TYPE 302)

FREE POSITION ADJUSTMENT TAB



NOTE -

- △ - FURNISHED UNASSEMBLED.
- 2 - ACTUATOR WILL WITHSTAND TEMPERATURE OF 400°F

THIS DRAWING COVERS A PROPRIETARY ITEM AND IS THE PROPERTY OF MICRO SWITCH, A DIVISION OF HONEYWELL. THIS DRAWING IS NOT TO BE COPIED OR USED WITHOUT THE APPROVAL OF MICRO SWITCH.

CHARACTERISTICS	WITH 4SXI-T BASIC SWITCH INSTALLED
OPERATING FORCE	----- 1 OZ APPROX
RELEASE FORCE	----- 4 GRAMS MIN
DIFFERENTIAL TRAVEL	----- .030 APPROX
OVERTRAVEL	----- .030 APPROX

**ELECTRICAL DATA**

CONTACT ARRANGEMENT

SCALE	2 TO 1
DO NOT SCALE PRINT	
UNLESS OTHERWISE NOTED	
DIMENSIONS ARE IN INCHES	
<b>TOLERANCES ARE:</b>	
ONE PLACE	(.0) ± .030
TWO PLACE	(.00) ± .015
THREE PLACE	(.000) ± .005
ANGLES	±

WEIGHT