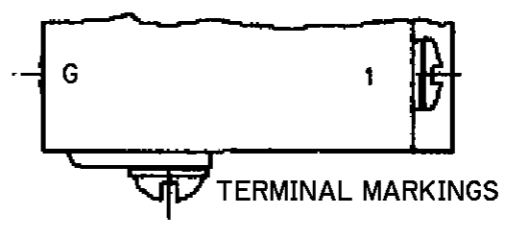
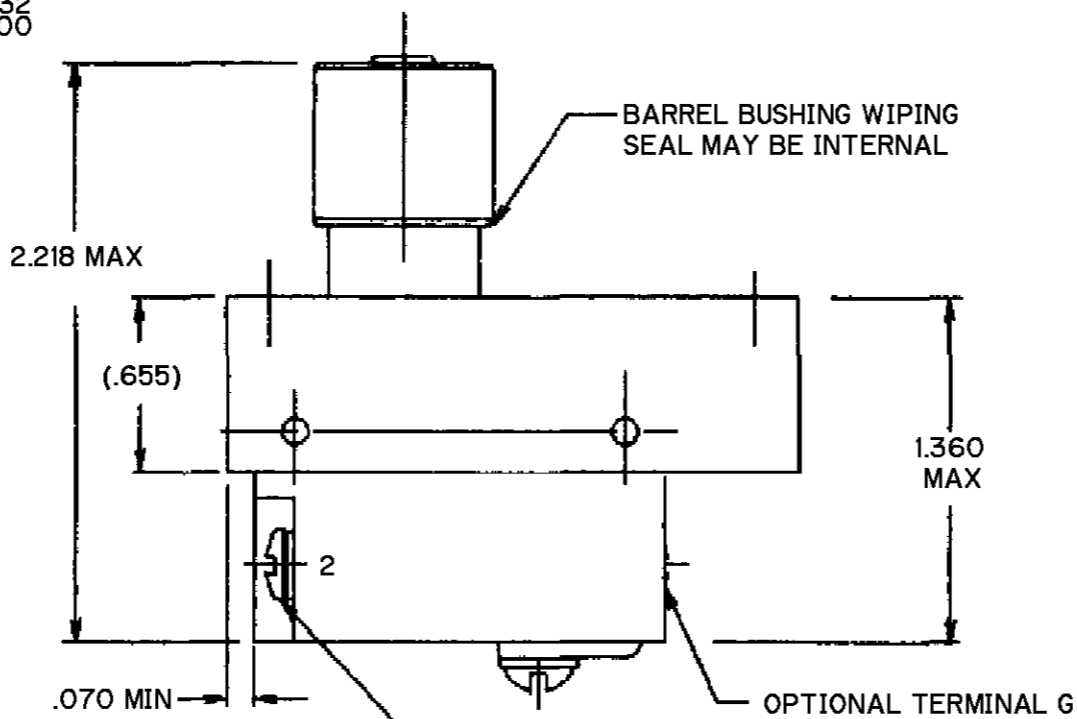
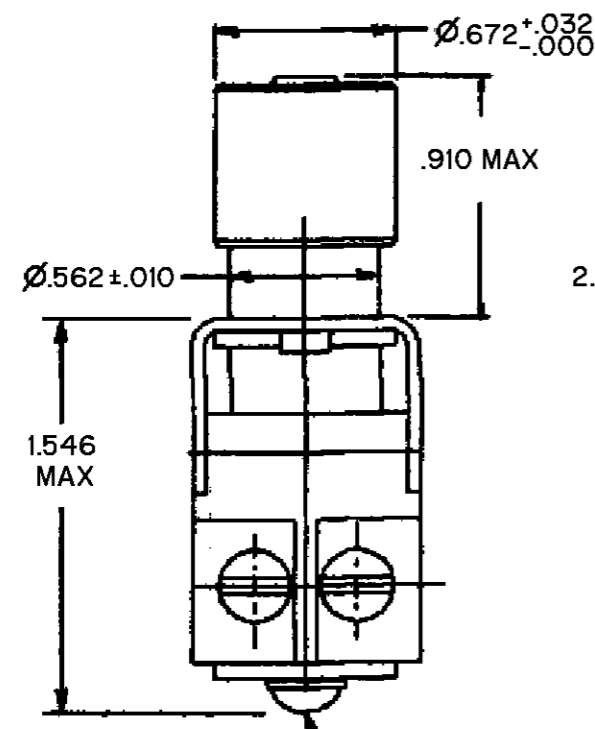
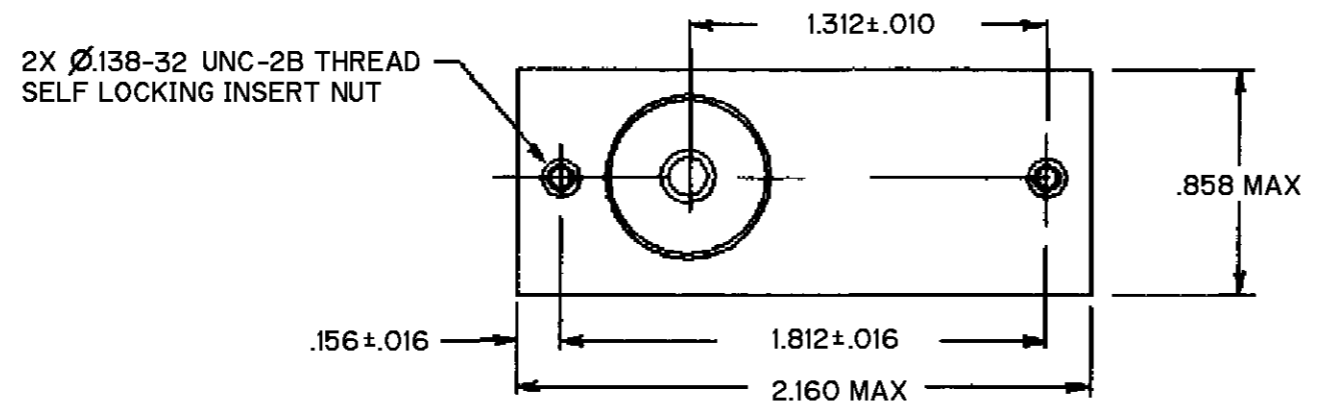


CATALOG LISTING
JS-557
PAGE 1 OF 1
RELEASE NO. PR-24110
REPLACES
ISSUE 3
REVISIONS
A 0000318
C SL 30 MAY 03
B ECO 0002767
RS 06 JAN 04
CHECK
SAV 7 OCT 99
CHECK
JJA 7 OCT 99
DRAWN
RASTER



TERMINAL G
 $\varnothing.138-32$ UNC-2A
(*6-32 UNC-2A) .250
LONG ROUND HEAD
SCREW MS35338-98
LOCKWASHER OR
EQUIVALENT

- NOTES
- 1 - SWITCH SEALED PER MIL-PRF-8805, SYMBOL 3
 - 2 - TERMINAL HARDWARE PACKET FURNISHED UNASSEMBLED:
15PA308-JS INCLUDES BUSS BRACKET AND TERMINAL SCREWS
 - 3 - MICRO SWITCH, MANUFACTURER'S CAGE CODE, CATALOG LISTING,
MILITARY PART NUMBER AND DATE CODE IDENTIFIED ON SIDE OF SWITCH
 - 4 - OPERATING TEMPERATURE RANGE: -40°C TO +85°C

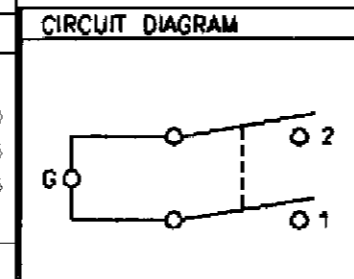
THIS DRAWING COVERS A PROPRIETARY ITEM AND IS THE PROPERTY OF MICRO SWITCH, A DIVISION OF HONEYWELL. THIS DRAWING IS NOT TO BE COPIED OR USED WITHOUT THE APPROVAL OF MICRO SWITCH



CHARACTERISTICS	
ACTUATING FORCE	7 - 11 LBS
FULL OVERTRAVEL FORCE	20 LBS MAX
RELEASE FORCE	.5 LB MIN
PRETRAVEL	.090 MIN
DIFFERENTIAL TRAVEL	.050 MIN
OVERTRAVEL	.050 MIN
TOTAL TRAVEL	.165 MIN

ELECTRICAL DATA		
CONTACT ARRANGEMENT D P S T - N O		
28 VDC		
	RATED LOAD	OVERLOAD
INDUCTIVE	.75	1.75

SCALE NONE	
DO NOT SCALE PRINT	
UNLESS OTHERWISE SPECIFIED TOLERANCES ARE	
ONE PLACE	(.0) \pm .030
TWO PLACE	(.00) \pm .015
THREE PLACE	(.000) \pm .005
ANGLES	\pm
WEIGHT	.25 LB MAX



ANSI Y14.5M-1982 APPLIES