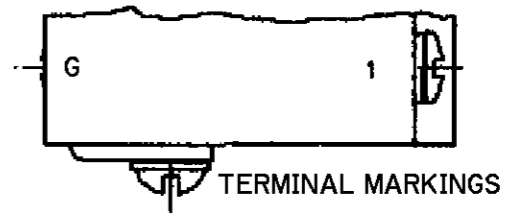
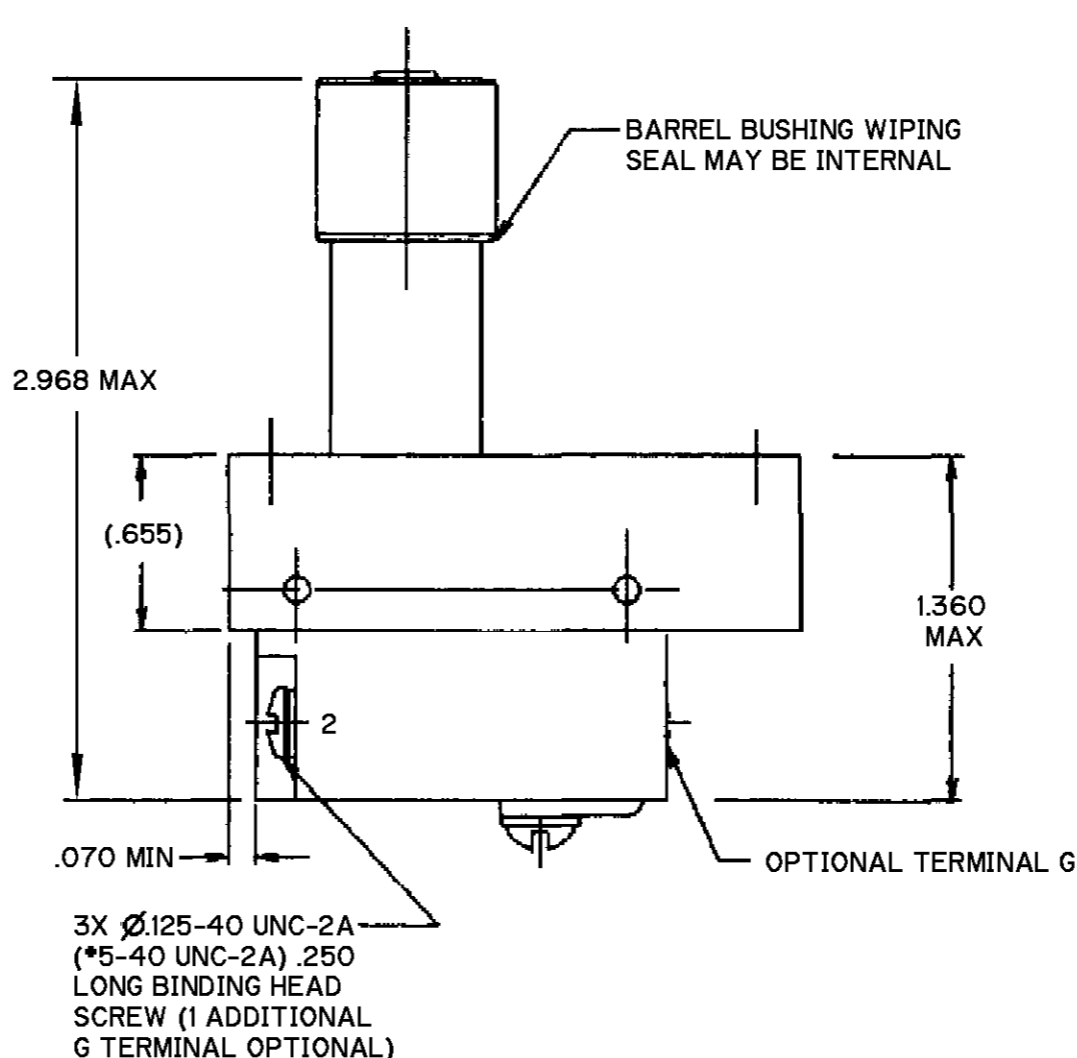
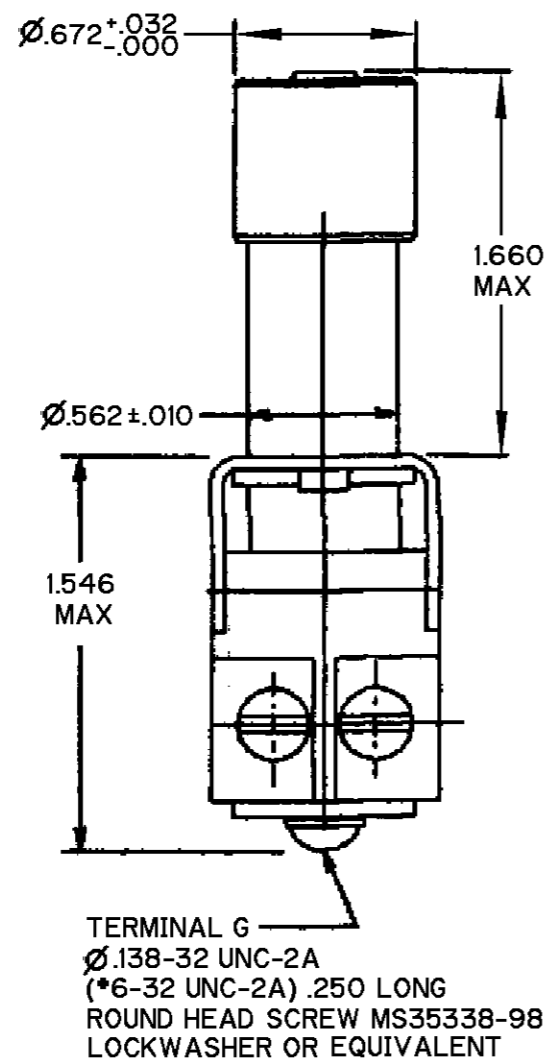
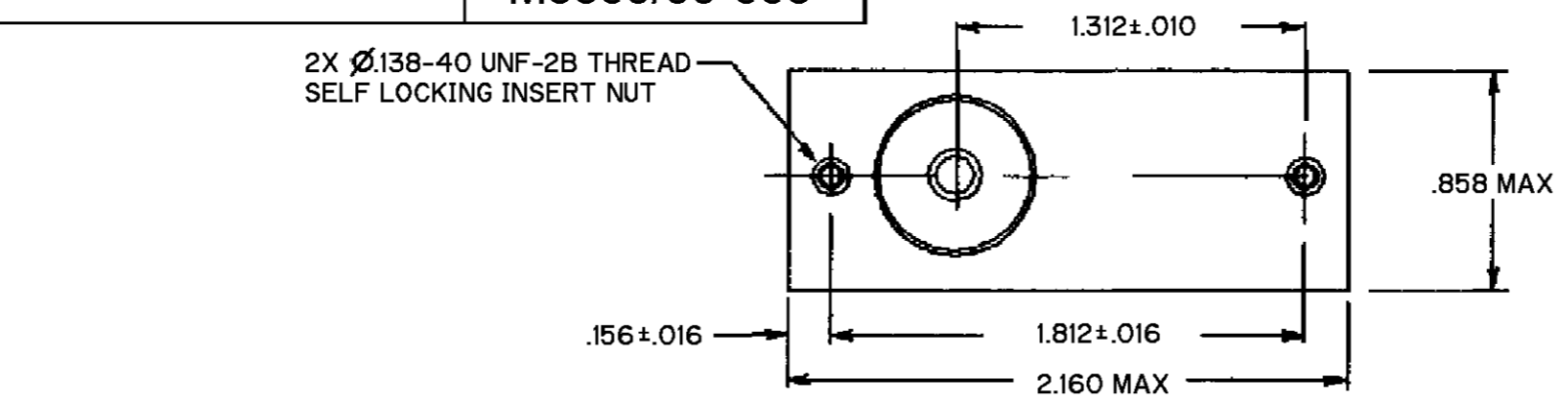


CATALOG LISTING
JS-556
PAGE 1 OF 1
REPLACES PR-24110
ISSUE 3
REVISIONS
A 201207
C STL 14 SEP 00
B ECO 0002767 05 JAN 04
CHECK 7 OCT 99
SAV 7 OCT 99
DRAWN 7 OCT 99
RASTER



THIS DRAWING COVERS A PROPRIETARY ITEM AND IS THE PROPERTY OF MICRO SWITCH, A DIVISION OF HONEYWELL. THIS DRAWING IS NOT TO BE COPIED OR USED WITHOUT THE APPROVAL OF MICRO SWITCH

CHARACTERISTICS	ELECTRICAL DATA	
ACTUATING FORCE ----- 7 - 11 LBS	CONTACT ARRANGEMENT D P S T - N O	
FULL OVERTRAVEL FORCE----- 20 LBS MAX	28 VDC	
RELEASE FORCE----- .5 LB MIN	RATED LOAD	OVERLOAD
PRETRAVEL----- .090 MIN	INDUCTIVE	.75 1.75
DIFFERENTIAL TRAVEL----- .050 MIN		
OVERTRAVEL----- .050 MIN		
TOTAL TRAVEL----- .165 MIN		

THIRD ANGLE PROJECTION

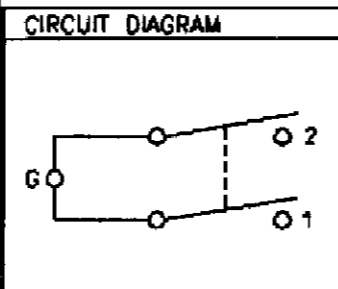
SCALE NONE

DO NOT SCALE PRINT

UNLESS OTHERWISE SPECIFIED TOLERANCES ARE

ONE PLACE (.0)	\pm .030
TWO PLACE (.00)	\pm .015
THREE PLACE (.000)	\pm .005
ANGLES	\pm

WEIGHT .32 LB MAX



- NOTES
- 1 - SWITCH SEALED PER MIL-PRF-8805, SYMBOL 3
 - 2 - TERMINAL HARDWARE PACKET FURNISHED UNASSEMBLED: 15PA308-JS INCLUDES BUSS BRACKET AND TERMINAL SCREWS
 - 3 - MICRO SWITCH, MANUFACTURER'S CAGE CODE, CATALOG LISTING, MILITARY PART NUMBER AND DATE CODE IDENTIFIED ON SIDE OF SWITCH
 - 4 - OPERATING TEMPERATURE RANGE: -40°C TO +85°C

ANSI Y14.5M-1982 APPLIES