

## 1TL1-3D

TL Series Toggle Switch, 1 pole, 2 position, Screw terminal, Locking Lever, Military Part Number MS24658-23D

### Features

- Qualified to MIL-S-3950
- Environment-proof sealing
- 1, 2, and 4 pole circuitry
- Standard and pull-to-unlock levers
- 2 and 3 position, maintained and momentary toggle action
- Temperature range: -85°F to +160°F
- Completely sealed switching chamber
- Step-design case provides added space between terminals to help prevent shorting
- UL recognized, CSA certified
- CE approved

*Representative photograph, actual product appearance may vary.*

*Due to regional agency approval requirements, some products may not be available in your area. Please contact your regional Honeywell office regarding your product of choice.*

### Typical Applications

- Industrial machinery and equipment
- Military and commercial aviation
- Construction equipment
- Test instruments
- Agricultural machinery
- Process control
- Medical instrumentation

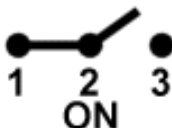
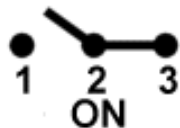

### Description

TL Series toggle switches have high strength, temperature resistant, non-tracking case material and silver cadmium oxide contacts. Pull-to-Unlock toggle levers prevent accidental operation; the lever must be pulled approx. 2,3 mm (0.09 inches) to change positions.



## 1TL1-3D

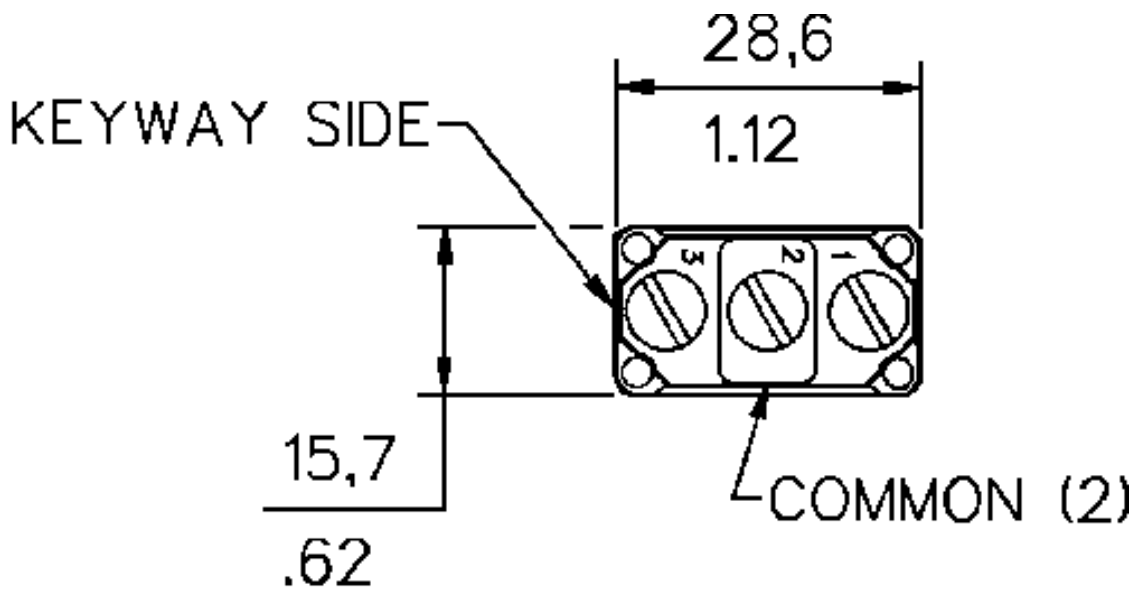
TL Series Toggle Switch, 1 pole, 2 position, Screw terminal, Locking Lever, Military Part Number MS24658-23D

Product Specifications	
<b>Product Type</b>	Toggle
<b>Ampere/Voltage Range (Resistive Load)</b>	0.5 A at 250 Vdc, 0.5 A to 15 A at 0.5 Vac to 277 Vac, 0.5 A to 20 A at 0.5 Vdc to 28 Vdc, 0.75 A at 115 Vdc
<b>Circuitry</b>	SPDT
<b>Action</b>	2 position
<b>Circuitry/Operating action</b>	<div style="display: flex; justify-content: space-around; align-items: center;"> <div style="text-align: center;"> <p><b>Keyway Position</b></p>  </div> <div style="text-align: center;"> <p><b>Opposite Keyway Position</b></p>  </div> </div>
<b>Mounting</b>	Bushing 15/32 in
<b>Termination</b>	Screw
<b>Military Part Number</b>	MS24658-23D
<b>Lever Type</b>	Locking
<b>Lever Lock</b>	 <p>Locked out of center position</p>
<b>UL/CSA Rating Code</b>	L191: 15 A-125, 250, 277 Vac; 1/2 Hp-125 Vac; 1 Hp-250, 277 Vac; 5 A-120 Vac "L"
<b>Comment</b>	Silver cadmium oxide contacts
<b>Availability</b>	Global
<b>UNSPSC Code</b>	30211908
<b>UNSPSC Commodity</b>	30211908 Toggle switches
<b>Series Name</b>	TL Series

**Honeywell**

## 1TL1-3D

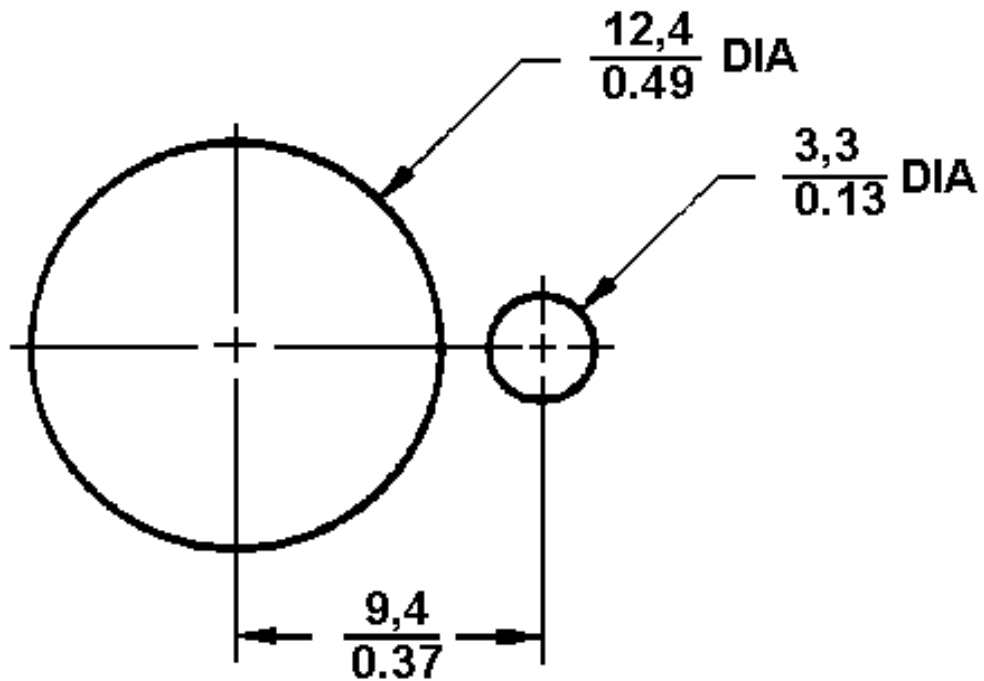
TL Series Toggle Switch, 1 pole, 2 position, Screw terminal, Locking Lever, Military Part Number MS24658-23D

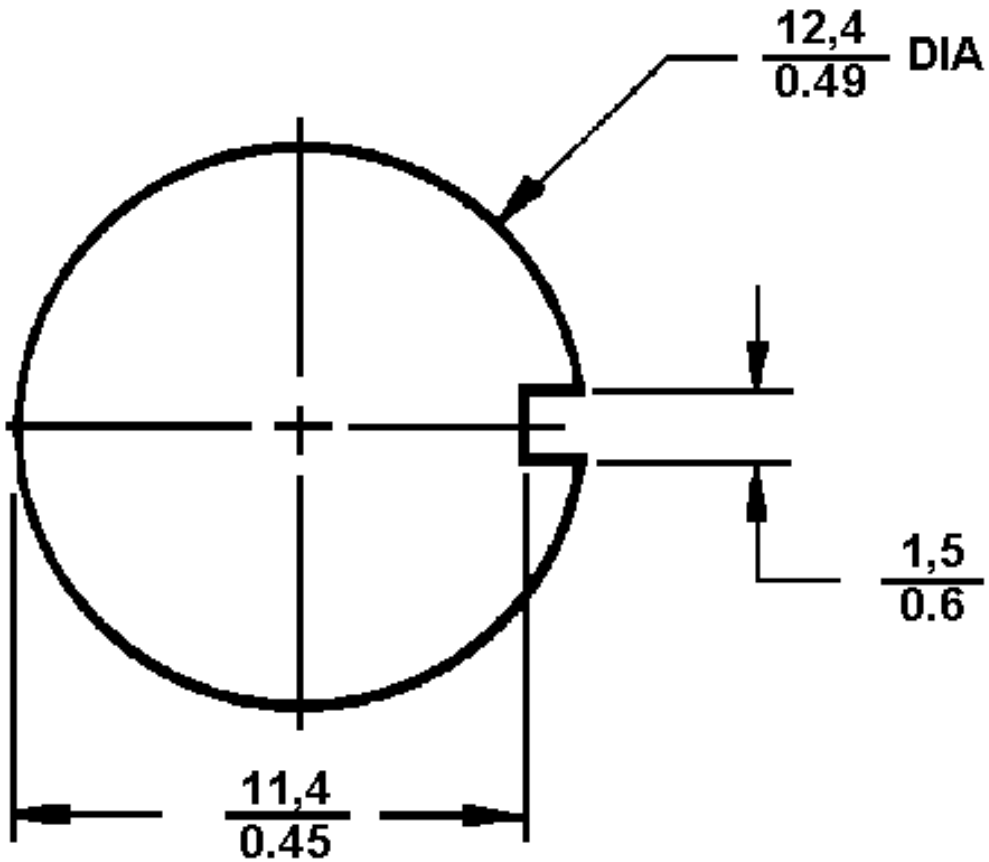


# Honeywell

## 1TL1-3D

TL Series Toggle Switch, 1 pole, 2 position, Screw terminal, Locking Lever, Military  
Part Number MS24658-23D





**Honeywell**

**1TL1-3D**

TL Series Toggle Switch, 1 pole, 2 position, Screw terminal, Locking Lever, Military  
Part Number MS24658-23D

** WARNING**

**PERSONAL INJURY**

DO NOT USE these products as safety or emergency stop devices, or in any other application where failure of the product could result in personal injury.

**Failure to comply with these instructions could result in death or serious injury.**

** WARNING**

**MISUSE OF DOCUMENTATION**

- The information presented in this product sheet (or catalog) is for reference only. DO NOT USE this document as product installation information.
- Complete installation, operation and maintenance information is provided in the instructions supplied with each product.

**Failure to comply with these instructions could result in death or serious injury.**

© Copyright Honeywell Inc. 1998-2004 All rights reserved.