



MICRO SWITCH™ Premium
Large Basic Switches
BZ | BA | BM | BE | 6AS Series



MICRO SWITCH™ Large Premium Basic Switches

Accurate, reliable, and repeatable, MICRO SWITCH™ BZ/BA/BM/BE Series features precise operating characteristics and enhanced life. These premium, large snap-action switches offer precision operation and sensitive differential travel.

Utilizing state-of-the-art manufacturing processes and quality controls, Honeywell has engineered premium, large snap-action switches that meet various international agency requirements. Some models have military qualifications. MICRO SWITCH™ BZ/BA/BM/BE Series are often used for precision on/off applications, as well as end of limit, presence/absence, and manual operator interface functions.

Their engineered design is suitable for various application needs. Configured options with BZ, BA, BM, and BE switches provide a wide variety of operating and interface characteristics.

The MICRO SWITCH™ 6AS Series consists of two large premium BZ/BA/BM/BE snap-action switches ganged together and actuated by a single actuator. Field adjustable operating point is an option for one or both switches.

What makes our switches better?

- Industry-leading temperature range for options up to 204 °C [400 °F] and temperatures as low as -55 °C [-67 °F]
- Exclusive current carrying capability of up to 25 A
- International approvals: UL, CSA, ENEC, CE listings
- Options for circuitry, styles, connection types and a wide selection of actuator styles
- Dependable performance - tested up to 20 million mechanical cycles
- MICRO SWITCH™ legacy and expertise - over 75 years of engineering excellence and experience



Operating in extreme temperatures is all in a day's work for MICRO SWITCH™ large basics!



QUALITY • RELIABLE • RUGGED • GLOBAL

Features and Benefits

GLOBAL USE AND APPROVALS

Switches certified to **UL, CSA, ENEC, and CE** for global use

FLEXIBILITY OF PRODUCT CHARACTERISTICS

Honeywell's large basic switches offer various operating force and differential travel options to meet the actuator type. Designed with **momentary or maintained contact action**, these switches may perform a variety of functions as well as offering a choice of actuation, termination and operating characteristics for **design flexibility**

Listings certified for global use and multiple applications

VARIANTS FOR EXTREME CONDITIONS

With an IP64 sealing option to maintain switch enclosure sealing, many listings can be used in dirty, harsh environments with their **dustproof and splash resistant seals**. Many versions operate in extreme temperatures, up to 121 °C [250 °F], and several with high temperature options for up to 204 °C [400 °F], as well as temperatures as low as -55 °C [-67 °F]

EASY INSTALLATION REDUCES OVERALL COSTS

The switch's elongated mounting hole allows for easier, more accurate mounting

TIGHT HYSTERESIS/DIFFERENTIAL TRAVEL

Designed with a hysteresis **as small as 0,008 mm [0.0003 in]**, the BZ/BA/BM/BE switches may be used in applications where very tight and sensitive control is required between the operate and release points

Standardize switching packages

CURRENT CAPACITY FROM LESS THAN 1 A TO 25 A

With a broad current capacity, **one switch package can control a wide range of electrical loads**. As requirements vary for applications, a standardized switch package may help reduce costs and increase application flexibility. **Gold contacts** available for controlling low energy/low power circuits

ENHANCED PERFORMANCE

Internal flat spring design delivers optimum **performance and switch reliability**

MILITARY APPROVALS

MIL-PRF-8805 switches available for military-specified applications

Potential Applications



BUILDING CONTROLS AND EQUIPMENT

Often used in a building's boiler/heater controls, in HVAC systems to sense exhaust pressure on high efficiency furnances, and in fire suppression systems to sound alarm when sprinkler activation/waterflow is detected. May also be used in machine tools to limit the maximum movement for pieces of equipment

DOORS AND LIFTS

May be used in elevators and lifts to sense if the car is in position before the door opens and on door-latching mechanisms to indicate door closed and/or door locked



SEMI-TRUCKS AND TRAILERS

Can be used to disengage the cruise control when the clutch pedal is depressed and for diesel engine brake assist. For surface transportation equipment, can be used as a seat switch

VALVES

Detects whether a valve is "open" or "closed"



TIMING DEVICES

Often used in commercial/industrial-grade timers to turn outputs "on" and/or "off" at preset times

COMMUNICATION SYSTEMS

May be used as a door interlock on communication consoles or enclosures

FOOT SWITCHES

In commercial and industrial foot switch enclosures, may be used as the switching element

COMMERCIAL AND INDUSTRIAL KITCHEN EQUIPMENT

May be used to indicate door closed and/or door locked for the self-cleaning feature

IRRIGATION EQUIPMENT

Often used for limiting maximum offset of irrigation towers

MEDICAL INSTRUMENTATION

In medical and dental equipment, often used in foot switches to control the dental drill and the positioning of the chair

MICRO SWITCH™ Premium Large Basic Switches

Table 1. Specifications

| Characteristic | BZ Series | WZ Series | YZ Series | BA Series | WA Series | YA Series | BM Series | BE Series |
|----------------------------------|--|-----------|-----------|---|-----------|-----------|--|---|
| |  | | |  | | |  |  |
| Ampere rating | 15 A | | | 20 A | | | 22 A | 25 A |
| Circuitry | SPDT | SPNC | SPNO | SPDT | SPNC | SPNO | SPDT | SPDT |
| Operating force | 1.0 oz to 28 oz | | | | | | | |
| Termination | quick connect, solder, screw | | | | | | | |
| Actuator | pin plunger, overtravel plunger, straight, roller, flexible leaf roller, flexible leaf | | | | | | | |
| Voltage | 125 Vac, 250 Vac, 125 Vdc, 250 Vdc | | | | | | | |
| Agency approvals | UL, CSA, ENEC, CE (varies by specific model) | | | | | | | |
| Operating temperature | -55 °C to 85 °C [-67 °F to 185 °F] | | | | | | | |
| Contacts | silver, silver cadmium oxide, gold alloy | | | | | | | |
| Housing | general purpose phenolic | | | | | | | |
| Sealing | Environment sealing option available (options for IP64 Sealing) | | | | | | | |
| Dielectric strength | 2000 V between each terminal and ground | | | | | | | |
| Contact resistance | 15 m Ohm max.(initial) | | | | | | | |
| Insulation resistance | 100 M Ohm min. | | | | | | | |
| Vibration | 1,5 mm peak-to-peak amplitude, frequency 10 Hz to 55 Hz, for two continuous hours | | | | | | | |
| Expected mechanical life | up to 20,000,000 cycles at 95% survival | | | | | | | |
| Expected electrical service life | 100K operations at rated load | | | | | | | |
| Rated frequency | 50 Hz/60 Hz | | | | | | | |

ELECTRICAL DATA AND UL CODES

Table 2. UL Electrical Ratings

| Code | Circuitry | Electrical data and UL codes |
|------|---------------------------------|---|
| A | SPDT | 15 A, 125, 250 or 480 Vac; 1/8 HP, 125 Vac; 1/4 HP, 250 Vac; 1/2 A, 125 Vdc; 1/4 amp, 250 Vdc. UL Code L96 |
| B | SPDT | 5 A, 125, 250 or 480 Vac; 1/2 A, 125 Vdc; 1/4 amp, 250 Vdc. UL Code L35 |
| C | SPDT | 10 A, 125, 250 or 480 Vac; UL Code L8 |
| D | SPDT | 15 A, 125, 250 or 480 Vac; 1/8 HP, 125 Vac; 1/4 HP, 250 Vac. UL Code L103 |
| E | SPDT | 15 A, 125, 250 or 480 Vac; 1/4 HP, 125 Vac; 1/2 HP, 250 Vac; 1/2 A, 125 Vdc; 1/4 amp, 250 Vdc. UL Code L67 |
| F | SPDT | 22 A, 125, 250 or 480 Vac; 1/2 HP, 125 Vac, 1 HP, 250 Vac. UL Code L161 |
| G | SPDT | 20 A, 125, 250 or 480 Vac; 10 A, 125 Vac “L” (tungsten lamp load); 1 HP, 125 Vac; 2 HP, 250 Vac; 1/2 A, 125 Vdc; 1/4 A, 250 Vdc. UL Code L23 |
| H | SPDT | Motor control - 25 A, 125, 250 or 480 Vac; 1 HP, 125 Vac; 2 HP, 250 Vac; Pilot duty—750 VA, 125, 250, or 277 Vac |
| I | SPDT | 10 A, 125, 250 or 480 Vac; 1/8 HP, 125 Vac; 1/4 HP, 250 Vac; UL Code L95 |
| P | SPDT | 1 A, 125 Vac UL Code L22 |
| T | Two-circuit, double break | Motor Control 15 A, 120, 240, 480 or 600 Vac; 1/2 HP, 120 Vac; 1 HP, 240 Vac; 0.8 amp, 115 Vdc; 0.4 amp, 230 Vdc. |
| W | SPST | 20 A, 125, 250 or 277 Vac; 3/4 HP, 125 Vac; 1/2 HP, 250 Vac UL Code L178B |
| X | SPDT | 15 A, 125, 250 or 480 Vac; 2 A, 600 Vac; 1/8 HP, 125 Vac; 1/4 HP, 250 Vac; 1/2 amp, 125 Vdc; 1/4 amp, 250 Vdc. UL Code L74 |

GENERAL SWITCH IDENTIFICATION

The first letter in the catalog listing designates:

- B** = Single pole, double throw
- W** = Single pole, normally closed
- Y** = Single pole, normally open

The second letter in the catalog listing designates:

- Z** = Standard, 15 A version
- M** = 22 A version
- A** = Standard, 20 A version
- E** = 25 A version

MOUNTING DIMENSIONS

Mounting dimensions are included in this datasheet. They are shown in English and metric equivalents. These dimensions are for reference only. Engineering drawings may be accessed via the Honeywell S&C web site: sensing.honeywell.com.

Mounting holes for Types BZ, BM, BA, BE, and 6AS switches accept pins or screws of 3,53 mm [0.139 in] diameter.

RECOMMENDED TORQUE

Mounting screws 0,39 Nm [3 in-lb]*
Terminal screws 0,45 Nm [4 in-lb]
Panel mount bushing 0,45 Nm to 0,68 Nm [4 in-lb to 6 in-lb]

*Note: Tightening mounting screws above 0,3 Nm [3 in-lb] changes operating characteristics and increases the possibility of cracking the case.

UL/CSA

Honeywell basic switches are Component Recognized by Underwriters’ Laboratories, Inc. and certified by Canadian Standards Association. The BA, BZ, and BM line is covered as Special Use Switches to UL Standard 1054; the BE line is covered as an Industrial Product to UL Standard 508. Agency File References are:

- BA UL File E12252, issued 12-09-88
- BM UL File E12252, issued 12-08-88
- BZ UL File E12252, issued 6-29-89
- BE-1,2,5 UL File E22779, Vol. 4, Sec. 1
- BE-R UL File E22779, Vol. 4, Sec. 2

MICRO SWITCH™ Premium Large Basic Switches

O.F. • Operating force
 R.F. • Release force
 P.T. • Pretravel
 O.T. • Overtravel
 D.T. • Differential travel
 O.P. • Operating position

ORDER GUIDE BY ASCENDING ELECTRICAL CAPABILITY

| | Catalog Listing | Recommended For | Electrical Data and UL Codes | O.F. N [oz] | R.F. min. N [oz] | P.T. max. mm [in] | O.T. min. mm [in] | D.T. mm [in] | O.P.*** mm [in] |
|--|-------------------------------|--|------------------------------|---|------------------|----------------------|-------------------------------------|--------------------------------------|-----------------------------|
|  BZ/BA type | BZ-2R72-A2** | Applications requiring gold alloy contacts | 1 A P | 2,5 to 3,61 [9 to 13] | 1,11 [4] | 0,38 [0.015] | 0,13 [0.005] | 0,01 to 0,05 [0.0004 to 0.0020] | 15,88 [0.625] |
| | BZ-2R725551-A2 | Gold alloy contacts Dustproof and splash resistant seal | 1 A P | 2,22 to 4,17 [8 to 15] | 1,11 [4] | – | 0,13 [0.005] | 0,01 to 0,06 [0.0004 to 0.0025] | 15,88 [0.625] |
| | BZ-2R244-A2 | Operating in temp. to 204 °C [400 °F] for 100 hours | 5 A B | 2,5 to 3,61 [9 to 13] | 1,11 [4] | 0,38 [0.015] | 0,13 [0.005] | 0,01 to 0,05 [0.0004 to 0.0020] | 15,88 [0.625] |
| | BZ-R21-A2 | Lower force | 10 A C | 1,11 [4] | 0,7 [2.5] | 0,30 [0.012] | 0,13 [0.005] | 0,005 to 0,013 [0.0002 to 0.0005] | 15,88 [0.625] |
| | BZ-2R-A2 | Most applications SPDT | 15 A A | 2,5 to 3,61 [9 to 13] | 1,11 [4] | 0,38 [0.015] | 0,13 [0.005] | 0,01 to 0,05 [0.0004 to 0.0020] | 15,88 [0.625] |
| | WZ-2R-A2 | SPST (normally closed) | 15 A A | 2,5 to 3,61 [9 to 13] | 1,11 [4] | 0,38 [0.015] | 0,13 [0.005] | 0,01 to 0,05 [0.0004 to 0.0020] | 15,88 [0.625] |
| | YZ-2R-A2 | SPST (normally open) | 15 A A | 2,5 to 3,61 [9 to 13] | 1,11 [4] | 0,38 [0.015] | 0,13 [0.005] | 0,01 to 0,05 [0.0004 to 0.0020] | 15,88 [0.625] |
|  Sealed type | BZ-R-A2 | Less differential travel | 15 A D | 1,95 to 2,5 [7 to 9] | 1,11 [4] | 0,30 [0.012] | 0,13 [0.005] | 0,005 to 0,008 [0.0002 to 0.0003] | 15,88 [0.625] |
| | BZ-R19-A2 | Best repeatability | 15 A D | 1,95 to 3,34 [7 to 12] | 1,11 [4] | 0,30 [0.012] | 0,13 to 0,2 [0.005 to 0.008] | 0,005 to 0,02 [0.0002 to 0.0008] | 16,26 [0.640] |
| | BZ-2R24-A2 | Operating in temp. to 121 °C [250 °F] | 15 A A | 2,5 to 3,61 [9 to 13] | 1,11 [4] | 0,38 [0.015] | 0,13 [0.005] | 0,01 to 0,05 [0.0004 to 0.0020] | 15,88 [0.625] |
| | BZ-2RT04 (M8805/1-004) | MIL-PRF-8805 application requirements | 15 A A | 2,5 to 3,61 [9 to 13] | 1,67 [6] | 0,38 [0.015] | 0,13 [0.005] | 0,01 to 0,05 [0.0004 to 0.0020] | 15,88 [0.625] |
| | BZ-2R05-A2 | Stability under varying humidity | 15 A A | 2,5 to 3,61 [9 to 13] | 1,11 [4] | 0,38 [0.015] | 0,13 [0.005] | 0,01 to 0,05 [0.0004 to 0.0020] | 15,88 [0.625] |
| | BZ-2R5551-A2 | Dustproof and splash resistant seal | 15 A A | 2,5 to 4,17 [9 to 15] | 1,11 [4] | – | 0,13 [0.005] | 0,01 to 0,06 [0.0004 to 0.0025] | 15,88 [0.625] |
| | BZ-2R55-A2-S | Sealed construction. Stainless steel internal snapspring | 15 A A | 2,5 to 4,17 [9 to 15] | 1,11 [4] | – | 0,13 [0.005] | 0,01 to 0,06 [0.0004 to 0.0025] | 15,88 [0.625] |
|  BA/BE type | BA-2R-A2 | Up to 20 ampere load | 20 A G | 3,89 to 6,12 [14 to 22] | 2,78 [10] | 1,27 [0.050] | 0,25 [0.10] | 0,05 to 0,19 [0.0020 to 0.0075] | 16,26 [0.640] |
| | BA-2R24-A2 | Operating in temp. to 121 °C [250 °F] | 20 A G | 3,89 to 6,12 [14 to 22] | 2,78 [10] | 1,27 [0.050] | 0,25 [0.10] | 0,05 to 0,19 [0.0020 to 0.0075] | 16,26 [0.640] |
| | BM-1R-A2 | Up to 22 ampere load | 22 A F | 1,95 to 2,78 [7 to 10] | 1,11 [4] | 0,38 [0.015] | 0,13 [0.005] | 0,013 to 0,025 [0.0005 to 0.0010] | 15,88 [0.625] |
| | BE-2R-A4 | Up to 25 ampere load, #8 screw terminals | 25 A H | 3,89 to 6,12 [14 to 22] | 2,78 [10] | 1,27 [0.050] | 0,25 [0.10] | 0,05 to 0,19 [0.0020 to 0.0075] | 16,26 [0.640] |
|  Manual Reset | BZ-RX | Manual reset, solder terminals | 15 A E | 1,95 to 2,5 [7 to 9] 0,56 to 2,78* [2 to 10] | – | 0,30 [0.012] – | 0,13 [0.005] 0,38* [0.015] | – | 15,88 [0.625] |
| | WA-1RX-A4 | Manual reset SPST-NC, #8 screw terminals | 20 A W | 5,56 [20] 6,95 [25]* | – | – | 0,25 [0.010] – | 0,20 [0.008] – | 16,26 [0.64] 27,9*[1.10] |






* Reset characteristics

** -A2 is supplied with #6 terminal screws

*** Except where stated, ±0,38 mm [±0.015 in]

O.F. • Operating force
 R.F. • Release force
 P.T. • Pretravel
 O.T. • Overtravel
 D.T. • Differential travel
 O.P. • Operating position

OVERTRAVEL PLUNGER ORDER GUIDE

| | Catalog Listing | Recommended For | Electrical Data and UL Codes | O.F. N [oz] | R.F. min. N [oz] | P.T. max. mm [in] | O.T. min. mm [in] | D.T. mm [in] | O.P.* mm [in] |
|--|--------------------------------|---|------------------------------|----------------------------|-------------------|-------------------|-------------------|--------------------------------------|------------------|
|  | BZ-2RD72-A2 | Applications requiring gold alloy contacts | 1 A P | 2,5 to 3,61 [9 to 13] | 1,11 [4] | 0,38 [0.015] | 1,52 [0.060] | 0,01 to 0,05 [0.0004 to 0.0020] | 21,21 [0.835] |
| | BZ-2RD-A2 | Added overtravel. For manual operation and slow 20° (max) cam rise | 15 A A | 2,5 to 3,61 [9 to 13] | 1,11 [4] | 0,38 [0.015] | 1,52 [0.060] | 0,01 to 0,05 [0.0004 to 0.0020] | 21,21 [0.835] |
| | BZ-2RD24-A2 | Operating in temperature to 121 °C [250 °F] | 15 A A | 2,5 to 3,61 [9 to 13] | 1,11 [4] | 0,38 [0.015] | 1,52 [0.060] | 0,01 to 0,05 [0.0004 to 0.0020] | 21,21 [0.835] |
| | BM-1RD-A2 | Up to 22 ampere load | 22 A F | 1,95 to 2,78 [7 to 10] | 1,11 [4] | 0,38 [0.015] | 1,52 [0.060] | 0,013 to 0,025 [0.0005 to 0.0010] | 21,21 [0.835] |
|  | BZ-2RDS725551-A2 | Applications requiring gold alloy contacts plus dustproof and splash resistant seal | 1 A P | 3,61 to 5,28 [13 to 19] | 1,11 [4] | – | 1,52 [0.060] | 0,01 to 0,063 [0.0004 to 0.0025] | 28,20 [1.110] |
| | BZ-2RDS5551-A2 | Dustproof and splash resistant seal | 15 A A | 3,61 to 5,28 [13 to 19] | 1,11 [4] | – | 1,52 [0.060] | 0,01 to 0,063 [0.0004 to 0.0025] | 28,20 [1.110] |
|  | BA-2RB-A2 | Up to 20 ampere load | 20 A G | 3,89 to 6,12 [14 to 22] | 2,78 [10] | 1,27 [0.050] | 2,39 [0.094] | 0,05 to 0,019 [0.0020 to 0.0075] | 26,20 [1.03] |
| | BE-2RB-A4 | Up to 25 ampere load, #8 screw terminals | 25 A H | 3,89 to 6,12 [14 to 22] | 2,78 [10] | 1,27 [0.050] | 2,39 [0.094] | 0,05 to 0,019 [0.0020 to 0.0075] | 26,20 [1.03] |
|  | BZ-2RS72-A2 | Applications requiring gold alloy contacts | 1 A P | 2,5 to 3,61 [9 to 13] | 1,11 [4] | 0,38 [0.015] | 1,52 [0.060] | 0,01 to 0,05 [0.0004 to 0.0020] | 28,20 [1.110] |
| | BZ-2RS-A2 | Added overtravel. For in-line operation and with JR aux. actuators | 15 A A | 2,5 to 3,61 [9 to 13] | 1,11 [4] | 0,38 [0.015] | 1,52 [0.060] | 0,01 to 0,063 [0.0004 to 0.0025] | 28,20 [1.110] |
| | BZ-2RS24-A2 | Operating in temperature to 121 °C [250 °F] | 15 A A | 2,5 to 3,61 [9 to 13] | 1,11 [4] | 0,38 [0.015] | 1,52 [0.060] | 0,01 to 0,05 [0.0004 to 0.0020] | 28,20 [1.110] |
| | BZ-2RST04 (M8805/1-012) | MIL-PRF-8805 application requirements | 15 A A | 2,5 to 3,61 [9 to 13] | 1,67 [6] | 0,38 [0.015] | 1,52 [0.060] | 0,01 to 0,05 [0.0004 to 0.0020] | 28,20 [1.110] |
| | BZ-RSX | Manual reset solder terminals | 15 A E | 1,95 to 2,64 [7 to 9] | – | 0,30 [0.012] | 0,65 [0.025] | – | 2,79 [1.11] |
| | BM-1RS-A2 | Up to 22 ampere load | 22 A F | 1,95 to 2,78 [7 to 10] | 1,11 [4] | 0,38 [0.015] | 1,52 [0.060] | 0,013 to 0,025 [0.0005 to 0.0010] | 28,20 [1.110] |
|  | BZ-2RS7225551-A2 | Applications requiring gold alloy contacts plus dustproof and splash resistant seal | 1 A P | 2,5 to 4,17 [9 to 15] | 1,11 [4] | – | 1,52 [0.060] | 0,01 to 0,063 [0.0004 to 0.0025] | 28,20 [1.110] |
| | BZ-2RS5551-A2 | Dustproof and splash resistant seal | 15 A A | 2,5 to 4,17 [9 to 15] | 1,11 [4] | – | 1,52 [0.060] | 0,01 to 0,063 [0.0004 to 0.0025] | 28,20 [1.110] |

* ±51 mm [±0.020 in]

MICRO SWITCH™ Premium Large Basic Switches

O.F. • Operating force
 R.F. • Release force
 P.T. • Pretravel
 O.T. • Overtravel
 D.T. • Differential travel
 O.P. • Operating position

OVERTRAVEL PLUNGER ORDER GUIDE




| | Catalog Listing | Recommended For | Electrical Data and UL Codes | O.F. N [oz] | R.F. min. N [oz] | P.T. max. mm [in] | O.T. min. mm [in] | D.T. mm [in] | O.P.** mm [in] |
|--|---------------------------------|--|------------------------------|----------------------------|------------------|-------------------|-------------------|--------------------------------------|--|
|  | BZ-2RQ-A2 | Added overtravel. For manual in-line operation and for slow 30° (max) rise cams | 15 A A | 2,5 to 3,61 [9 to 13] | 1,11 [4] | 0,38 [0.015] | 5,56 [0.219] | 0,01 to 0,05 [0.0004 to 0.0020] | 38,10 ±0,51 [1.50 ±0.02] |
| | BZ-2RQ24-A2 | Operating in temperature to 121 °C [250 °F] | 15 A A | 2,5 to 3,61 [9 to 13] | 1,11 [4] | 0,38 [0.015] | 5,56 [0.219] | 0,01 to 0,05 [0.0004 to 0.0020] | 38,10 ±0,51 [1.50 ±0.02] |
|  | BZ-2RQ172-A2 | Applications requiring gold alloy contacts | 1 A P | 2,5 to 3,61 [9 to 13] | 1,11 [4] | 0,38 [0.015] | 5,56 [0.219] | 0,01 to 0,05 [0.0004 to 0.0020] | 21,82 [0.859] |
| | BZ-2RQ1-A2 | BZ-2RQ-A2 type applications with panel mount | 15 A A | 2,5 to 3,61 [9 to 13] | 1,11 [4] | 0,38 [0.015] | 5,56 [0.219] | 0,01 to 0,05 [0.0004 to 0.0020] | 21,82 [0.859] |
| | BZ-2RQ1T04 (M8805/1-020) | MIL-PRF-8805 application requirements | 15 A A | 2,5 to 3,61 [9 to 13] | 1,67 [6] | 0,38 [0.015] | 5,56 [0.219] | 0,01 to 0,05 [0.0004 to 0.0020] | 21,82 [0.859] |
| | BZ-2RQ124-A2 | Operating in temperature to 121 °C [250 °F] | 15 A A | 2,5 to 3,61 [9 to 13] | 1,11 [4] | 0,38 [0.015] | 5,56 [0.219] | 0,01 to 0,05 [0.0004 to 0.0020] | 21,82 [0.859] |
| | BZ-2RN702 | Furnished with unassembled seal boot. | 15 A X | 2,5 to 3,61 [9 to 13] | 1,11 [4] | 0,38 [0.015] | 3,18 [0.125] | 0,01 to 0,05 [0.0004 to 0.0020] | 48,4 ±0,50 1.906 [±0.02] |
| | BZ-RQ1X | Manual reset. Solder terminals | 15 A E | 1,67 to 2,64 [6 to 9.5] | – | 0,30 [0.012] | 5,56 [0.219] | – | 23,42 ±1,14 [0.922 ±0.045] 7,14* [0.281*] |
| | BA-2RQ1-A2 | Up to 20 ampere load | 20 A G | 3,89 to 6,12 [14 to 22] | 2,78 [10] | 1,27 [0.050] | 5,56 [0.219] | 0,05 to 0,19 [0.0020 to 0.0075] | 21,82 [0.859] |
| | BM-1RQ1-A2 | Up to 22 ampere load | 22 A F | 1,95 to 2,78 [7 to 10] | 1,11 [4] | 0,38 [0.015] | 5,56 [0.219] | 0,013 to 0,025 [0.0005 to 0.0010] | 21,82 [0.859] |
|  | BZ-2RQ1872-A2 | Applications requiring gold alloy contacts | 1 A P | 2,5 to 3,61 [9 to 13] | 1,11 [4] | 0,38 [0.015] | 3,56 [0.140] | 0,01 to 0,05 [0.0004 to 0.0020] | 33,32 ±1,14 [1.31 ±0.045] |
| | BZ-2RQ18-A2 | Added overtravel. Roller plunger for rapid cam (30° max) rise and slide operation. Panel mount | 15 A A | 2,5 to 3,61 [9 to 13] | 1,11 [4] | 0,38 [0.015] | 3,56 [0.140] | 0,01 to 0,05 [0.0004 to 0.0020] | 33,32 ±1,14 [1.31 ±0.045] |
| | BZ-2RQ1824-A2 | Operating in temperature to 121 °C [250 °F] | 15 A A | 2,5 to 3,61 [9 to 13] | 1,11 [4] | 0,38 [0.015] | 3,56 [0.140] | 0,01 to 0,05 [0.0004 to 0.0020] | 33,32 ±1,14 [1.31 ±0.045] |
| | BZ-2AQ18T1 | Double-break circuitry | 15 A T | 3,89 to 6,68 [14 to 24] | 1,11 [4] | 0,69 [0.025] | 3,58 [0.141] | 0,03 to 0,10 [0.001 to 0.004] | 33,35 ±1,19 [1.31 ±0.047] |
| | BM-1RQ18-A2 | Up to 22 ampere load | 22 A F | 1,95 to 2,78 [7 to 10] | 1,11 [4] | 0,38 [0.015] | 3,56 [0.140] | 0,013 to 0,025 [0.0005 to 0.0010] | 33,32 ±1,14 [1.31 ±0.045] |
|  | BZ-2RQ181-A2 | Applications requiring roller plunger 90° to major axis of switch | 15 A A | 2,5 to 3,61 [9 to 13] | 1,11 [4] | 0,38 [0.015] | 3,56 [0.140] | 0,01 to 0,05 [0.0004 to 0.0020] | 33,32 ±1,14 [1.31 ±0.045] |

* Reset characteristics

** Except where stated, ±0,76 mm [±0.030 in]

O.F. • Operating force
 R.F. • Release force
 P.T. • Pretravel
 O.T. • Overtravel
 D.T. • Differential travel
 O.P. • Operating position

STRAIGHT LEVER ORDER GUIDE

| | Catalog Listing | Recommended For | Electrical Data and UL Codes | O.F. N [oz] | R.F. min. N [oz] | P.T. max. mm [in] | O.T. min. mm [in] | D.T. mm [in] | O.P.** mm [in] |
|---|---|---|------------------------------|-----------------------------|------------------|-------------------|-------------------------------------|----------------------------------|--------------------------------------|
|  | BZ-2RW8072-A2 | Applications requiring gold alloy contacts | 1 A P | 0,7 [2.5] | 0,14 [0.5] | – | 5,56 [0.219] | 0,18 to 1,27 [0.007 to 0.050] | 19,1 [0.750] |
| | BZ-2RW80722555105-A2 | Stability under varying humidity. Gold alloy contacts with seal | 1 A P | 0,7 [2.5] | 0,14 [0.5] | – | 5,56 [0.219] | 0,18 to 1,27 [0.007 to 0.050] | 19,1 [0.750] |
| | BZ-2RW8244-A2 | Operating in temp. to 204 °C [400 °F] for 100 hours | 5 A B | 0,7 [2.5] | 0,14 [0.5] | – | 5,56 [0.219] | 0,18 to 1,27 [0.007 to 0.050] | 19,1 [0.750] |
| | BZ-RW8435-A2 | Lowest operating force (without external return spring) | 10 A I | 0,07 [0.25] | – | 6,76 [0.266] | 5,56 [0.219] | 0,08 to 0,38 [0.003 to 0.015] | 19,1 [0.750] |
| | BZ-2RW876T | 1.25-inch lever | 15 A A | 1,67 [6] | 0,42 [1.5] | – | 0,42 [0.141] | 0,10 to 0,63 [0.004 to 0.025] | 19,1 [0.750] |
| | BZ-2RW80-A2 | 2.5-inch lever | 15 A A | 0,7 [2.5] | 0,14 [0.5] | – | 5,56 [0.219] | 0,18 to 1,27 [0.007 to 0.050] | 19,1 [0.750] |
| | BZ-2RW84-A2 | Lower force (without external return spring) | 15 A A | 0,28 [1] | 0,03 [0.125] | 8,33 [0.328] | 5,56 [0.219] | 0,18 to 1,27 [0.007 to 0.050] | 19,1 [0.750] |
| | BZ-2RW805551-A2 | Dustproof and splash resistant seal | 15 A A | 0,7 [2.5] | 0,14 [0.5] | – | 5,56 [0.219] | 0,18 to 1,27 [0.007 to 0.050] | 19,1 [0.750] |
| | BZ-2RWT04 (M8805/1-044) | MIL-PRF-8805 application requirements | 15 A A | 0,28 to 0,90 [1 to 3.25] | 0,21 [0.75] | 7,52 [0.296] | 4,37 [0.172] | 2,36 [0.093] | 19,1 [0.750] |
| | BZ-2RW824-A2 | Operating in temperature to 121 °C [250 °F] | 15 A A | 0,7 [2.5] | 0,14 [0.5] | – | 5,56 [0.219] | 0,18 to 1,27 [0.007 to 0.050] | 19,1 [0.750] |
| | BZ-RW80X | Manual reset, solder terminals | 15 A E | 0,63 [2.25] | – | – | 5,56 [0.219] 0,38* [0.015] | – | 19,05 [0.750] 7,14* [0.281] |
| | BZ-2RW863-A2 | 6-inch lever | 15 A A | 0,28 [1] | – | – | 12,7 [0.50] | 0,46 to 3,68 [0.018 to 0.145] | 19,1 ±1,52 [0.75 ±0.06] |
| | BA-2RV-A2 | Up to 20 ampere load | 20 A G | 0,7 [2.5] | 0,14 [0.5] | 15,88 [0.625] | 1,98 [0.078] | 2,77 max. [0.109] max. | 19,1 [0.750] |
| | BM-1RW84-A2 | Up to 22 ampere load | 22 A F | 0,28 [1] | 0,03 [0.125] | 7,54 [0.297] | 5,56 [0.219] | 0,13 to 0,84 [0.005 to 0.033] | 19,1 [0.750] |
| BE-2RV-A4 | Up to 25 ampere load #8 screw terminals | 25 A H | 0,7 [2.5] | 0,14 [0.5] | 15,88 [0.625] | 1,98 [0.078] | 2,77 max. [0.109] max. | 19,1 [0.750] | |
|  | BZ-2RW899-A2 | Adjustable operating point 17 mm to 22 mm [0.67 in to 0.88 in] | 15 A A | 0,7 [2.5] | 0,14 [0.5] | – | 3,54*** [0.125] | 0,18 to 1,27 [0.007 to 0.050] | 17,02 to 22,35 [0.670 to 0.880] |
|  | BZ-2RM-A2 | Reverse acting actuator (switch plunger depressed in free position) | 15 A A | 1,67 [6] | 0,28 [1] | 5,56 [0.219] | 5,56 [0.219] | 0,10 to 0,89 [0.004 to 0.035] | 19,1 [0.750] |

* Reset characteristics




** except where stated ±0,76 mm [±0.030 in]

*** from 17 mm [0.670 in] O.P.

MICRO SWITCH™ Premium Large Basic Switches

O.F. • Operating force
 R.F. • Release force
 P.T. • Pretravel
 O.T. • Overtravel
 D.T. • Differential travel
 O.P. • Operating position




SIMULATED ROLLER AND ROLLER LEVER ORDER GUIDE

| | Catalog Listing | Recommended For | Electrical Data and UL Codes | O.F. N [oz] | R.F. min. N [oz] | P.T. max. mm [in] | O.T. min. mm [in] | D.T. mm [in] | O.P.** mm [in] |
|--|---------------------------|---|------------------------------|-----------------------------|------------------|-------------------|----------------------|-----------------------------------|------------------------------------|
|  | BZ-2RW80147-A2 | 1.05 inch (26,7 mm) (simulated roller) lever applications | 15 A A | 1,67 [6] | 0,42 [1.5] | – | 2,39 [0.094] | 0,08 to 0,51 [0.003 to 0.020] | 30,17 [1.188] |
| | BZ-2RW80196-A2 | 1.90 inch (48,3 mm) (simulated roller) lever applications | 15 A A | 0,97 [3.5] | 0,21 [0.75] | – | 3,96 [0.156] | 0,10 to 1,0 [0.004 to 0.040] | 30,17 ±0,76 [1.188 ±0.03] |
|  | BZ-2RW82272-A2 | Applications requiring gold alloy contacts | 1 A P | 1,67 [6] | 0,42 [1.5] | – | 2,39 [0.094] | 0,08 to 0,51 [0.003 to 0.020] | 30,17 [1.188] |
| | BZ-2RW822725551-A2 | Apps requiring gold alloy contacts plus dustproof and splash resistant seal | 1 A P | 1,67 [6] | 0,42 [1.5] | – | 2,39 [0.094] | 0,08 to 0,51 [0.003 to 0.020] | 30,17 [1.188] |
| | BZ-2RW822-A2 | 26,7 mm [1.05 in] mm) roller lever | 15 A A | 1,67 [6] | 0,42 [1.5] | – | 2,39 [0.094] | 0,08 to 0,51 [0.003 to 0.020] | 30,17 [1.188] |
| | BZ-2RW8222-A2 | Roller turned 90° | 15 A A | 0,7 to 1,81 [2.5 to 6.5] | 0,35 [1.25] | – | 3,58 [0.141] max. | 0,08 to 0,51 [0.003 to 0.020] | 30,75 [1.25] |
| | BZ-2RW82224-A2 | Operating in temperature to 121 °C [250 °F] | 15 A A | 1,67 [6] | 0,42 [1.5] | – | 2,39 [0.094] | 0,08 to 0,51 [0.003 to 0.020] | 30,17 [1.188] |
| | BZ-2RW8225551-A2 | Dustproof and splash resistant seal | 15 A A | 1,67 [6] | 0,42 [1.5] | – | 2,39 [0.094] | 0,08 to 0,51 [0.003 to 0.020] | 30,17 [1.188] |
| | BZ-2RW82255-A2-S | Best service for sealed construction. Stainless steel internal snap spring. | 15 A A | 1,67 [6] | 0,42 [1.5] | – | 2,39 [0.094] | 0,08 to 0,51 [0.003 to 0.020] | 30,17 [1.188] |
| | BA-2RV22-A2 | Up to 20 ampere load | 20 G | 1,67 [6] | 0,42 [1.5] | 6,35 [0.250] | 0,76 [0.030] | 1,14 [0.045] max. | 29,77 [1.172] |
| | BM-1RW822-A2 | Up to 22 ampere load | 22 F | 1,67 [6] | 0,42 [1.5] | – | 2,39 [0.094] | 0,025 to 0,33 [0.001 to 0.013] | 30,17 [1.188] |
| | BE-2RV22-A4 | Up to 25 ampere load, #8 screw terminals | 25 H | 1,67 [6] | 0,42 [1.5] | 6,35 [0.250] | 0,76 [0.030] | 1,14 [0.045] max. | 29,77 [1.172] |
|  | BZ-2RW82299-A2 | Adjustable operating point. Roller lever 1.05 inch (26,7 mm) | 15 A A | 1,67 [6] | 0,42 [1.5] | – | 1,02 [0.040] | 0,08 to 0,51 [0.003 to 0.020] | 29,77 to 30,56 [1.172 to 1.203] |
| | BZ-2RW8299-A2 | Adjustable operating point. Roller lever 1.90 inch (48,3 mm) | 15 A A | 0,97 [3.5] | 0,21 [0.75] | – | 2,16 [0.085] | 0,10 to 1,0 [0.004 to 0.040] | 29,2 to 31,5 [1.150 to 1.24] |

** except where stated ±0,38 mm [±0.015 in]

O.F. • Operating force
 R.F. • Release force
 P.T. • Pretravel
 O.T. • Overtravel
 D.T. • Differential travel
 O.P. • Operating position

ROLLER LEVER ORDER GUIDE

| | Catalog Listing | Recommended For | Electrical Data and UL Codes | O.F. N [oz] | R.F. min. N [oz] | P.T. max. mm [in] | O.T. min. mm [in] | D.T. mm [in] | O.P.** mm [in] |
|---|--------------------------|---|------------------------------|---------------|------------------|-------------------|-------------------|--------------------------------------|-------------------------------|
|  | BZ-2RW82725551-A2 | Applications requiring gold alloy contacts, plus dustproof, and splash resistant seal | 1 A P | 0,97 [3.5] | 0,21 [0.75] | – | 3,96 [0.156] | 0,10 to 1,0 [0.004 to 0.040] | 30,17 ±0,76 [1.188 ±0.030] |
| | BZ-2RW82-A2 | 1.90 inch (48,3 mm) (steel roller) lever applications | 15 A A | 0,97 [3.5] | 0,21 [0.75] | – | 3,96 [0.156] | 0,10 to 1,0 [0.004 to 0.040] | 30,17 ±0,76 [1.188 ±0.030] |
| | BZ-2RW825551-A2 | Dustproof and splash resistant seal | 15 A A | 0,97 [3.5] | 0,21 [0.75] | – | 3,96 [0.156] | 0,10 to 1,0 [0.004 to 0.040] | 30,17 ±0,76 [1.188 ±0.030] |
| | BZ-2RW8224-A2 | Operating in temperature to 121 °C [250 °F] | 15 A A | 0,97 [3.5] | 0,21 [0.75] | – | 3,96 [0.156] | 0,10 to 1,0 [0.004 to 0.040] | 30,17 ±0,76 [1.188 ±0.030] |
| | BA-2RV2-A2 | Up to 20 ampere load | 20 A G | 0,97 [3.5] | 0,14 [0.5] | 11,89 [0.468] | 1,52 [0.060] | 2,16 [0.085] | 30,17 ±0,76 [1.188 ±0.030] |
| | BM-1RW82-A2 | Up to 22 ampere load | 22 A F | 0,97 [3.5] | 0,21 [0.75] | – | 3,96 [0.156] | 0,08 to 0,56 [0.003 to 0.022] | 30,17 ±0,76 [1.188 ±0.030] |
| | BE-2RV2-A4 | Up to 25 ampere load, #8 screw terminals | 25 A H | 0,97 [3.5] | 0,14 [0.5] | 11,89 [0.468] | 1,52 [0.060] | 2,16 [0.085] | 30,17 ±0,76 [1.188 ±0.030] |
|  | BZ-RW922-A2 | Best repeatability and O.P. stability | 10 A I | 3,34 [12] | 1,11 [4] | 0,35 [0.015] | 2,54 [0.100] | 0,013 to 0,025 [0.0005 to 0.0010] | 31,37 [1.235] |
|  | BZ-2RW826-A2 | One-way roller 9,4 mm x 3,8 mm [0.37 in dia. x 0.15 in] wide roller | 15 A A | 1,67 [6] | 0,42 [1.5] | – | 2,39 [0.094] | 0,08 to 0,51 [0.003 to 0.020] | 41,34 [1.625] |
| | BZ-2RW825-A2 | One-way roller 4,83 mm x 4,83 mm [0.19 in dia. x 0.19 in] wide roller | 15 A A | 2,22 [8] | 0,42 [1.5] | – | 1,52 [0.060] | 0,38 [0.015] | 28,96 [1.14] |



NOTE: For adjustable operate point and simulated roller lever switches, refer to previous page.

** except where stated ±0,38 mm [±0.015 in]

MICRO SWITCH™ Premium Large Basic Switches

O.F. • Operating force
 R.F. • Release force
 P.T. • Pretravel
 O.T. • Overtravel
 D.T. • Differential travel
 O.P. • Operating position

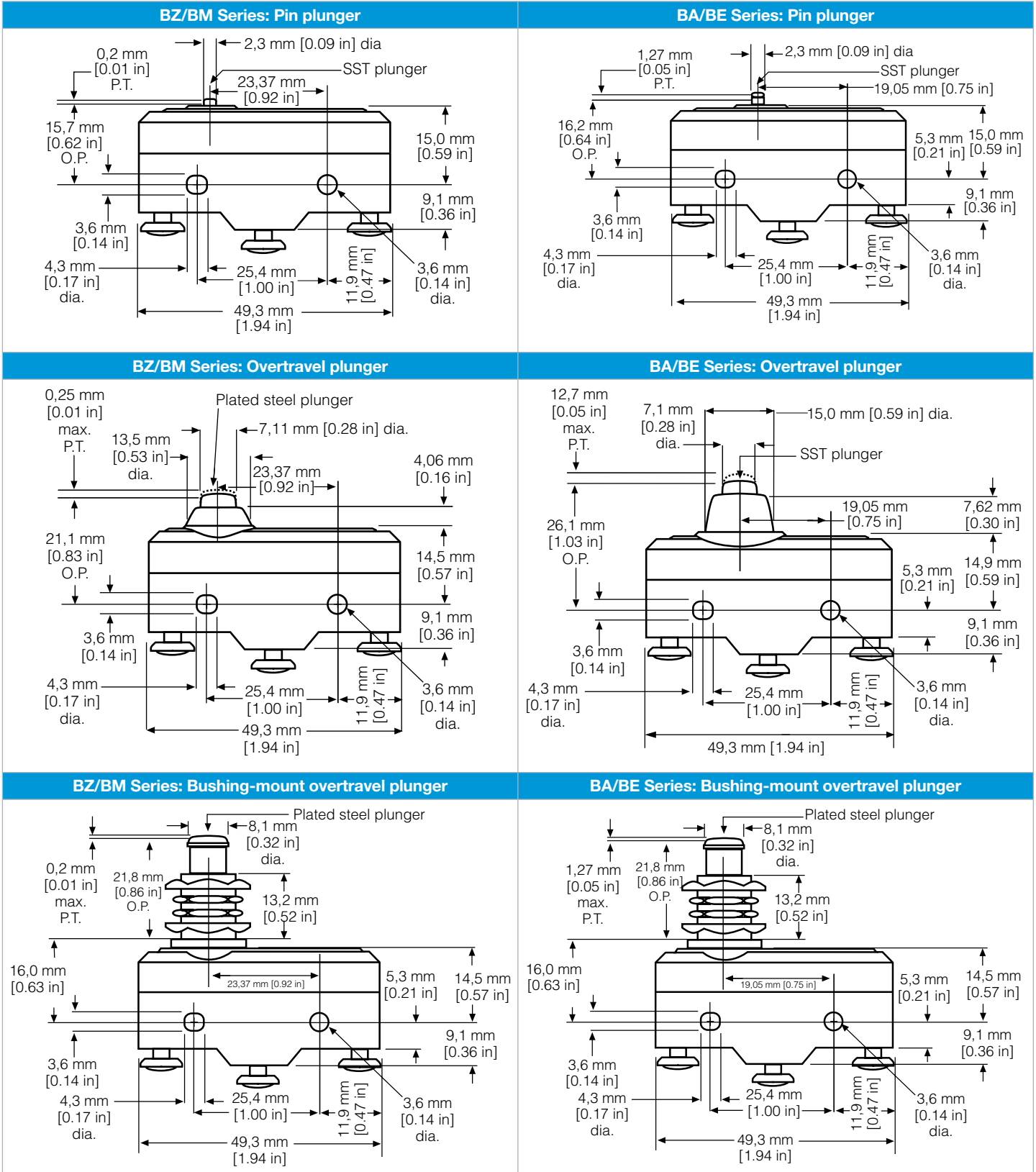
FLEXIBLE LEAF AND FLEXIBLE ROLLER LEAF ORDER GUIDE

| | Catalog Listing | Recommended For | Electrical Data and UL Codes | O.F. N [oz] | R.F. min. N [oz] | P.T. max. mm [in] | O.T. min. mm [in] | D.T. mm [in] max. | O.P.** mm [in] |
|---|---------------------------------|--|------------------------------|-----------------------------|------------------|-------------------|-------------------------------------|-------------------|--------------------------------------|
|  | BZ-2RL-A2 | Force and stability of the flexible leaf actuator | 15 A A | 1,39 [5] | 0,14 [0.5] | – | 1,52 [0.060] | 1,27 [0.050] | 17,48 [0.688] |
| | BZ-2RL5551-A2 | Dustproof and splash resistant seal | 15 A A | 1,95 [7] | 0,14 [0.5] | – | 1,52 [0.060] | 1,27 [0.050] | 17,48 [0.688] |
| | BZ-2RLT04 (M8805/1-001) | MIL-PRF-8805 application requirements | 15 A A | 1,39 [5] | 0,14 [0.5] | – | 1,52 [0.060] | 1,27 [0.050] | 17,48 [0.688] |
| | BZ-2RL24-A2 | Operating in temperature to 121 °C [250 °F] | 15 A A | 1,39 [5] | 0,14 [0.5] | – | 1,52 [0.060] | 1,27 [0.050] | 17,48 [0.688] |
| | BZ-RLX | Manual reset. Solder terminals | 15 A E | 0,83 [3] | – | – | 1,57 [0.062] 0,38* [0.015] | – | 17,48 [0.688] 7,14* [0.281] |
| | BA-2RL-A2 | Up to 20 ampere load | 20 A G | 2,5 [9] | 0,28 [1] | – | 1,57 [0.062] | 1,57 [0.062] | 17,48 [0.688] |
| | BE-2RL-A4 | Up to 25 ampere load, #8 screw terminals | 25 A H | 2,5 [9] | 0,28 [1] | – | 1,57 [0.062] | 1,57 [0.062] | 17,48 [0.688] |
|  | BZ-RL24-A2 | Operating in temp. to 121 °C [250 °F] for 100 hours | 5 A B | 1,39 [5] | 0,14 [0.5] | – | 1,52 [0.060] | 1,27 [0.050] | 28,6 [1.125] |
| | BZ-2RL2-A2 | Force and stability of the flexible leaf with roller | 15 A A | 1,39 [5] | 0,14 [0.5] | – | 1,52 [0.060] | 1,27 [0.050] | 28,6 [1.125] |
| | BZ-2RL25551-A2 | Dustproof and splash resistant seal | 15 A A | 1,95 [7] | 0,14 [0.5] | – | 1,52 [0.060] | 1,27 [0.050] | 28,6 [1.125] |
| | BZ-2RL2T04 (M8805/1-036) | MIL-PRF-8805 application requirements | 15 A A | 1,04 to 1,39 [3.75 to 5] | 0,14 [0.5] | – | 1,52 [0.060] | 1,27 [0.050] | 28,6 [1.125] |
| | BA-2RL2-A2 | Up to 20 ampere load | 20 A G | 2,5 [9] | 0,28 [1] | – | 1,52 [0.060] | 1,65 [0.065] | 28,6 [1.125] |
| | BE-2RL2-A4 | Up to 25 ampere load, #8 screw terminals | 25 A H | 2,5 [9] | 0,28 [1] | – | 1,52 [0.060] | 1,65 [0.065] | 28,6 [1.125] |

NOTE: For adjustable operate point and simulated roller lever switches, refer to previous page.

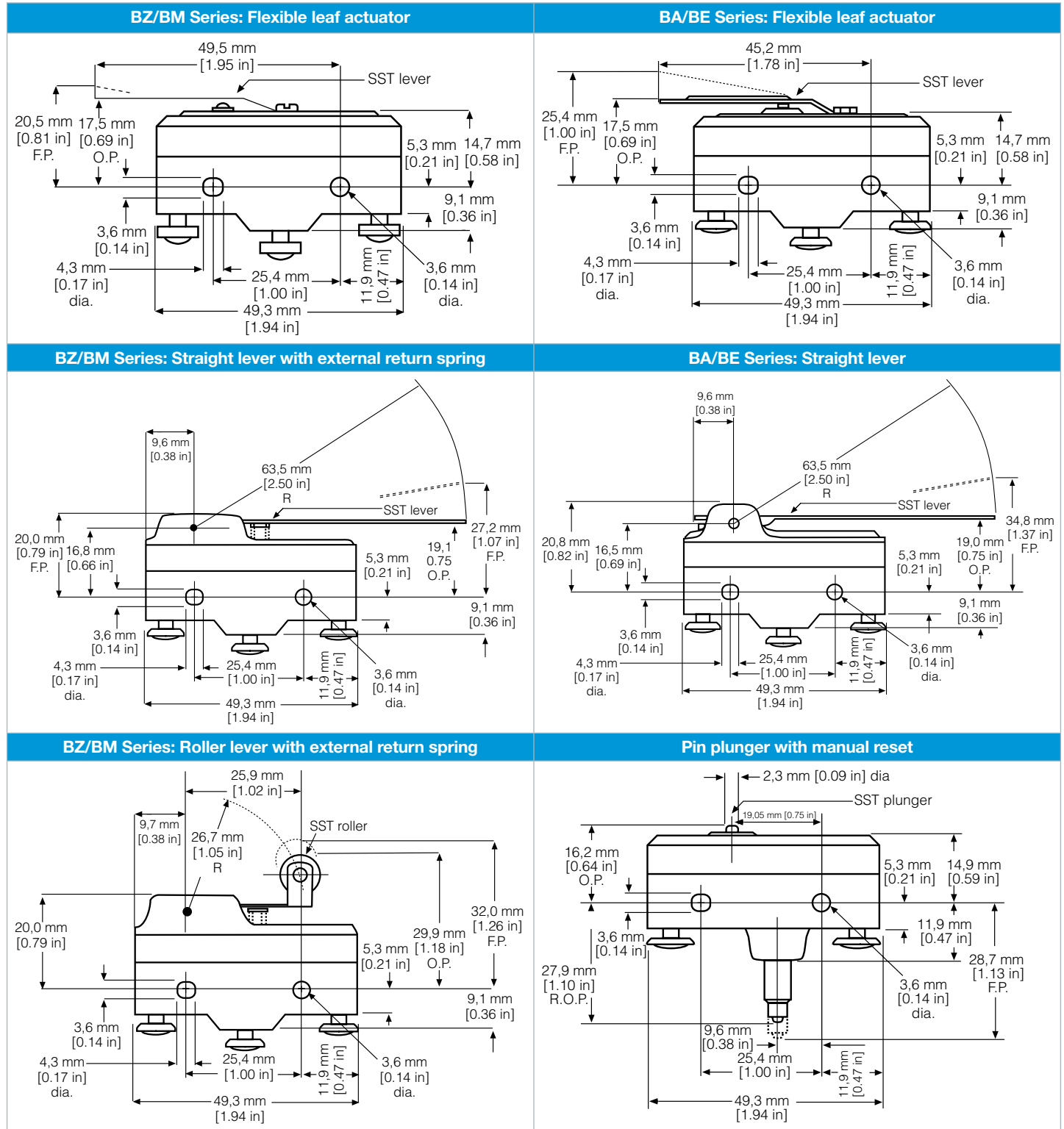
** except where stated $\pm 0,76$ mm [± 0.030 in]

STANDARD ACTUATOR OPTIONS, TERMINALS, & DIMENSIONS



MICRO SWITCH™ Premium Large Basic Switches

STANDARD ACTUATOR OPTIONS, TERMINALS, & DIMENSIONS



BZ | BA | BM | BE | 6AS Series



6AS SERIES - PREMIUM LARGE SNAP-ACTION TANDEM SWITCH ASSEMBLY



The MICRO SWITCH™ 6AS Series consists of two large premium BZ/BA/BM/BE snap-action switches ganged together and actuated by a single actuator. Operating characteristics are dependent upon the type of individual switches and actuators chosen. Field adjustable operating point on one or both basic switches. Solder, A2, and T-type terminations available, along with straight, roller, and leaf levers. Mounting holes accept pins or screws of 3,53 mm [0.139 in] diameter. Often used for boiler controls or anywhere two circuits need to be controlled by one actuator.

O.F. • Operating force
 R.F. • Release force
 O.T. • Overtravel
 D.T. • Differential travel
 O.P. • Operating position

6AS SERIES ORDER GUIDE

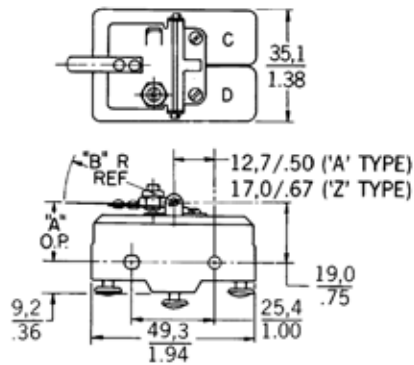
| | Catalog Listing | Recommended For | Electrical Data and UL Codes | Lever length | Terminal type | O.F. N [oz] | R.F. min. N [oz] | O.T. min. mm [in] | D.T. mm [in] | O.P.* mm [in] |
|--|-----------------|--|------------------------------|---------------------|--|-------------|-------------------|-------------------------------|--------------|----------------------------|
|  | 6AS34 | Centered lever. Adjustment over switch D | 15 A A | 30,56 mm [1.203 in] | A2 | 2,22 [8] | 0,14 [0.5] | 0,51 [0.020] | 2,77 [0.109] | 29,77 [1.172] |
| | 6AS36 | Lever over switch C. Adjustment over switch D | 15 A A | 30,56 mm [1.203 in] | A2 | 2,22 [8] | 0,14 [0.5] | 0,51 [0.020] | 2,77 [0.109] | 29,77 [1.172] |
| | 6AS16 | Centered lever. Adjustment over switch D | 20 A G | 30,56 mm [1.203 in] | A2 | 3,89 [14] | 1,11 [4] | 1,02 [0.040] | 3,96 [0.156] | 30,96 ±1,14 [1.219 ±0.045] |
| | 6AS201 | Lever over switch C. No adjustment. Sealed construction | 15 A A | 26,67 mm [1.05 in] | A2 and D6 6,35 mm x 0,81 mm [0.25 in x 0.32 in] | 4,2 [15] | 0,42 [1.5] | 2,4 [0.094] | 1,3 [0.050] | 30,2 [1.188] |
|  | 6AS5 | Centered leaf. No adjustment. Switches operate within 0.030 in of each other | 15 A A | 38,38 [1.51] | A2 | - | - | 0,76 to 1,52 [0.030 to 0.060] | - | - |
| | 6AS28 | Centered lever. Adjustment over switch C | 20 A G | 32,26 [1.27] | A2 | 3,89 [14] | 1,11 [4] | 1,02 [0.040] | - | 18,67 [0.735] |

* except where stated ±0,76 mm [±0.030 in]

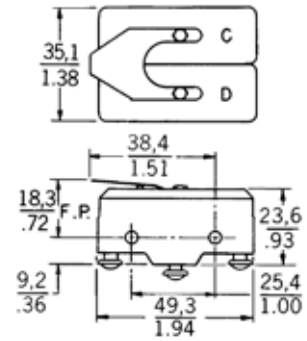
MICRO SWITCH™ Premium Large Basic Switches

STANDARD ACTUATOR OPTIONS, TERMINALS, & DIMENSIONS

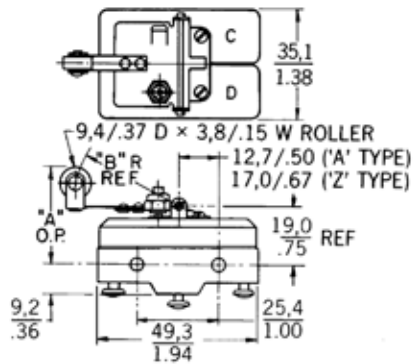
6AS Series: Straight Lever



6AS Series: Leaf actuator



6AS Series: Roller Lever



OPERATING CHARACTERISTICS

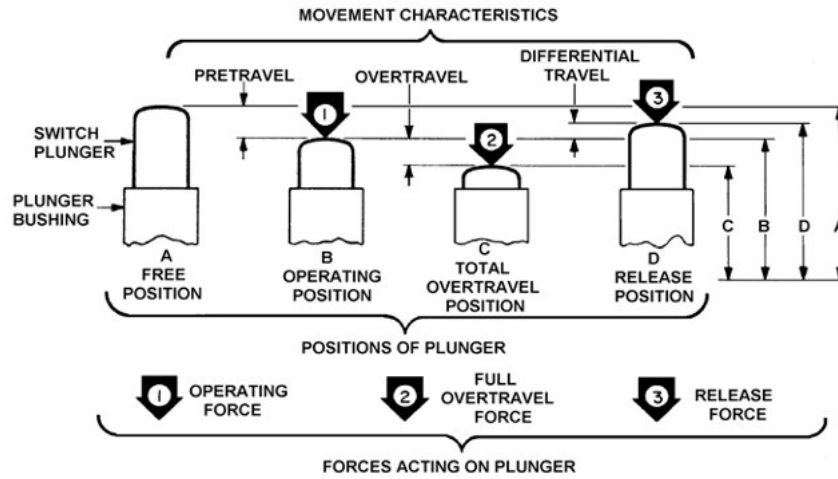
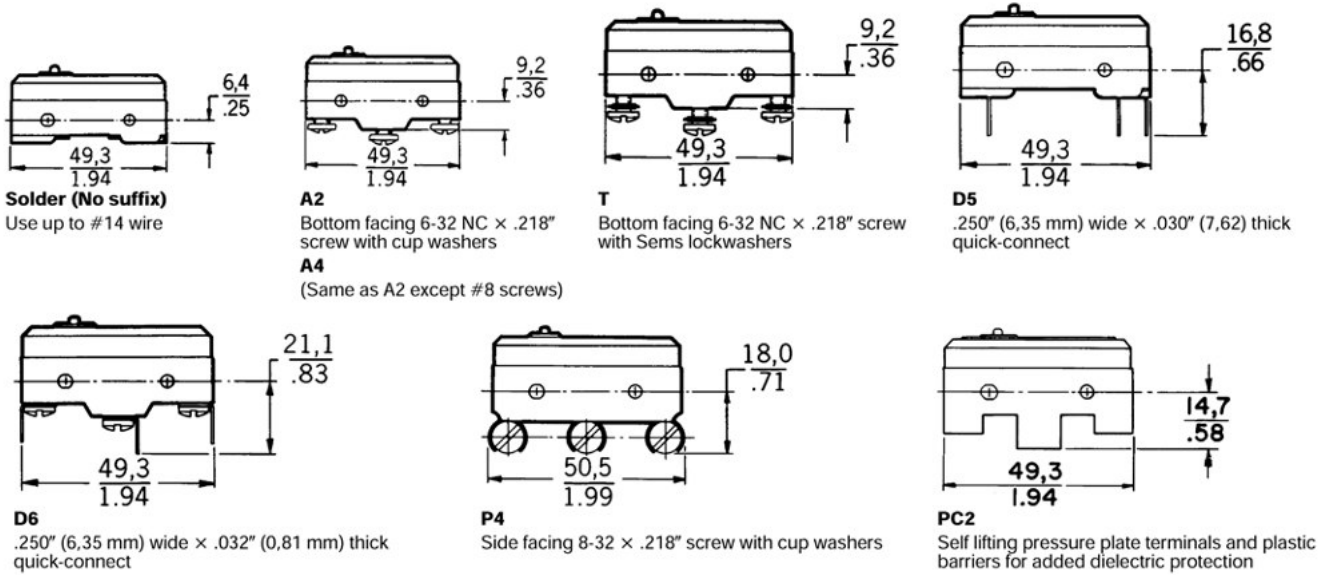


Table 3. Operating Characteristics Definitions

| Characteristic | Description |
|-------------------------------|---|
| Differential Travel-DT | Plunger or actuator travel from point where contacts “snap-over” to point where they “snap-back.” |
| Free Position-FP | Position of switch plunger or actuator when no external force is applied. |
| Full Overtravel Force | Force required to attain full overtravel of actuator. |
| Operating Position-OP | Position of switch plunger or actuator at which point contacts snap from normal to operated position. With flexible or adjustable actuators, the operating position is measured from the end of the lever or its maximum length. Location of operating position measurement shown on mounting dimension drawings. |
| Operating Force-OF | Amount of force applied to switch plunger or actuator to cause the contact “snap-over.” Note in the case of adjustable actuators, the force is measured from the maximum length position of the lever. |
| Overtravel-OT | Plunger or actuator travel safely available beyond operating position. |
| Pretravel-PT | Distance or angle traveled in moving plunger or actuator from free position to operating position. |
| Release Force-RF | Amount of force still applied to switch plunger or actuator at the moment contacts snap from operated position to non-operated position. |
| Total Travel | Distance from actuator free position to overtravel limit position. |

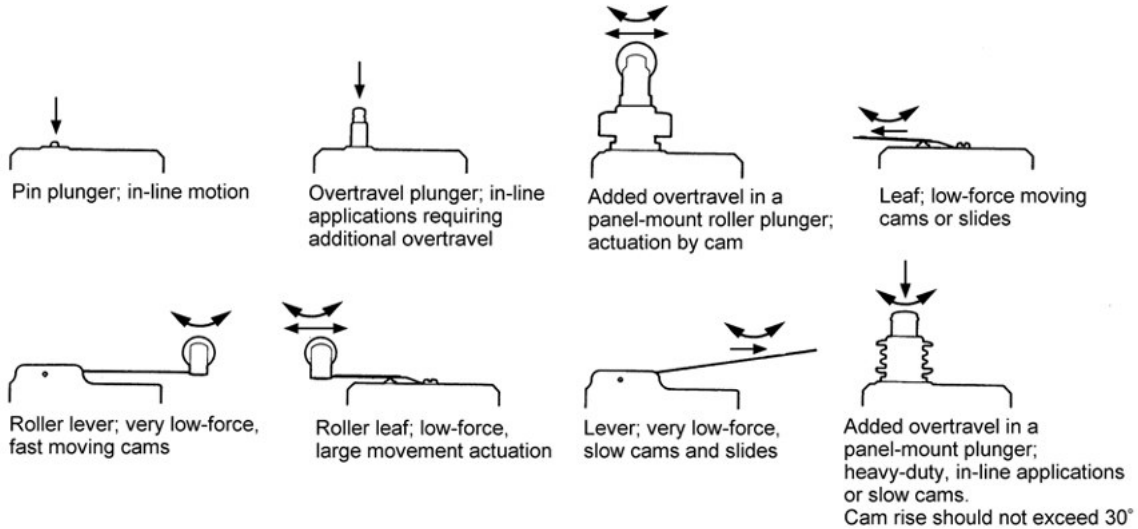
MICRO SWITCH™ Premium Large Basic Switches

AVAILABLE TERMINALS



ACTUATORS

BA, BE, BM, and BZ standard snap-action switches use the actuators described:



LARGE PREMIUM SWITCH SERIES NOMENCLATURE TREE (NOT ALL CONFIGURATIONS AVAILABLE)




| B | Z | 2 | R | W | 82255 | A2 | S |
|--|---|---|---|--|--|--|---|
| Type & Contact | Switch type | Break distance (nominal) | Construction | Integral actuator | Misc. Variations (Numbers or Letters) | Terminal type | Snap spring mat'l (variation) |
| B Series Premium Basics SPDT substitute W Series for SPNC circuitry substitute Y Series for SPNO circuitry | Z 15 A capacity**; pin plunger 23, 3 [0.917] from mounting hole | 1 0.25 mm [0.01 in] | R Moving contact rivet construction Type A switches only | B Low overtravel plunger, Type A & E | 0 Before or number= military construction | A2 Bottom facing #6 screws & cupwashers | S Stainless steel snap spring |
| | A 20 A capacity**; pin plunger 19.0 [0.750] from mounting hole | 2 0.50 mm [0.02 in] | A Shorting bar circuitry Type Z switches only | D Low overtravel plunger, Type Z | 1 Threaded bushing, panel mount Q-plunger | A4 Bottom facing #8 screws & cupwashers | |
| | M 22 A capacity; pin plunger 23.3 [0.917] from mounting hole | 3 0.91 mm [0.036 in] | S Shorting bar circuitry Type A switches only | DS Sealed low overtravel plunger, Type Z only | 2 Variation of design | A22 A2 type without screws & cupwashers | |
| | E 25 A capacity; pin plunger 19.0 [0.750] from mounting hole | 4 1.14 mm [0.045 in] (MT-4R only) | G Make-before-break switches | L Leaf actuator Type A & Z only | 4 On W-lever, light force var. (no spring) | A41 A4 type without screws & cupwashers | |
| | - 15 A standard; plunger 25.4 [1.00] from front mounting hole | 5 1.27 mm [0.050 in] Type A switches only | Y Split contact switches Type Z switches only | N High overtravel plunger/sealed boot | 5 Used with other 5s, denotes sealed cons. | A46 A4 type #8 screws and lock washers | |
| | | 7 1.78 mm [0.07 in] Type Z switches only | - 0.15 mm [0.006 in] | Q High overtravel plunger, Type A & Z | 6/7 On Q plunger, replac. for die-cast switches | D1 89° OC used with flat base w/o slots | |
| | | | | S Medium overtravel plunger, Type Z only | 7 Variation of design, other than Q plungers | D5 45° OC used with flat base | |
| | | | | V Rigid lever Type A & E only | 8 With W-levers, rigid type lever (ex. W80) | D6 90° OC used with A2 (step) base | |
| | | | | W Rigid or resilient lever, Type Z only | 8 With Q-plunger, roller plunger inline to axis | P1 (left) side facing #8 screw w/ cupwasher solder lug base | |
| | | | | M Reverse actuating lever | 9 With L-leaf actuators, flat leaf | P2 Same as P1, except facing right | |
| | | | QW Omnidirectional "wobble" lever | 72 Gold contacts | P4 (left) side facing #8 screw w/ cupwasher integral construction | | |
| | | | - Standard pin plunger | 9 On Q-plunger, detach. roller, turned 90° | P5 Same as P4, except facing right | | |
| | | | | 22 Short roller lever, V- or W-lever | T Bottom facing #6 screws/lockwashers | | |
| | | | | 24 Heat resistant construction 121 °C | - Solder lug or no terminal hardware | | |
| | | | | 55 Heavy-duty seal cons. Stain steel snap spring, Special inserts | | | |
| | | | | 81 On Q-plunger, roller 90° to major axis | | | |
| | | | | 82 Long W-lever, with roller | | | |
| | | | | 99 On W-lever, adj. O.P. (usually w/ 8) | | | |
| | | | | 244 High temp. constr. Diff snap spring Lower elect. rating | | | |
| | | | | 5551 General use sealed construction | | | |
| | | | | 882 Short W-lever with roller | | | |
| | | | | X Maintained manual reset | | | |

Notes
 * Min. distance between separated mating contacts in fully open position (nominal values).
 ** Some versions have lower electrical ratings.
 *** Except BZ-R31 and BZ-RZ switches.




MICRO SWITCH™ Premium Large Basic Switches

LARGE SNAP-ACTION SWITCH ACCESSORIES




Brackets

| Description | 8MA1 | 8MA2 | 17MA1-B |
|-------------------------|--|--|--|
| |  |  |  |
| Description | Adjustable mounting bracket with adjustment slot on left | Adjustable mounting bracket with adjustment slot on right | Conversion mounting bracket |
| Housing material | Steel | Steel | Corrosion-resistant metal |
| Measurements | 60,2 mm W x 21,3 mm H x 7,4 mm D [2.37 in W x 0.84 in H x 0.29 in D] | | 66,8 mm W x 19,0 mm D [2.63 in W x 0.75 in D] |
| Features | sturdy plated steel construction; fast, easy screwdriver adjustment; can be used with most standard basic switches | | converts standard basic switches from side to top mount; corrosion resistant; snaps into switch mounting holes without tools |

Die-cast Zinc Enclosures

| Description | 3PA1 | 3PA28 | 3PA2 |
|-------------------------|--|---|--|
| |  |  |  |
| Description | mounted from either side through 3,55 mm [0.140 in] dia. holes on 25,4 mm [1.0 in] centers; conduit/hub 0.5 – 14 NPT internal thread | mounted from either side through 3,55 mm [0.140 in] dia. holes on 25,4 mm [1.0 in] centers. 1/2-14 NPSM internal thread conduit hub | switch secured in enclosure; two 4,37 mm [0.172 in] dia. holes in flange accept #8 screws for mounting on 41,3 mm [1.625 in] centers; conduit/hub 0.5 – 14 NPT internal thread |
| Housing material | die-cast zinc enclosure (side mount) | die-cast zinc enclosure (side mount) | die-cast zinc enclosure (flange mount) |
| Measurements | 74,8 mm W x 42,9 mm H x 25,4 mm D [2.95 in W x 1.69 in H x 1.00 in D] | 74,8 mm W x 42,9 mm H x 25,4 mm D [2.95 in W x 1.69 in H x 1.00 in D] | 74,8 mm W x 42,9 mm H x 25,4 mm D [2.95 in W x 1.69 in H x 1.00 in D] |
| Sealing/Features | NEMA 1; IP 40; protects the switch from physical abuse and personnel from contact with exposed terminals | | |

Plastic Thermal Enclosures

| Description | 5PA1 | 5PA2 | 5PA3 |
|-------------------------|---|--|--|
| |  |  |  |
| Description | Plastic terminal enclosure used with solder terminal switches | Plastic terminal enclosure use with screw terminal switches | Plastic terminal enclosure used with either solder or screw terminal switches with auxiliary actuators assembled |
| Housing material | plastic | plastic | plastic |
| Measurements | 52,8 mm W x 16,1 mm H [2.08 in W x 0.64 in H] | 52,8 mm W x 20,2 mm H x 21,0 mm D [2.08 in W x 0.80 in H x 0.83 in D] | 52,8 mm W x 20,2 mm H x 21,0 mm D [2.08 in W x 0.80 in H x 0.83 in D] |
| Sealing/Features | NEMA 1, IP 40; easy to use; screw and solder terminal versions; protect personnel from contact with exposed terminals | | |

AUXILIARY ACTUATOR ORDER GUIDE

| | Catalog Listing | Description | Use only with | Overtravel min. mm [in] | Operating Position* mm [in] | Free Position mm [in] |
|---|------------------------------------|--|---------------|----------------------------|---|---|
|  | JR | Roller lever for "S" plunger type BZ switches only. Permits cam operation | BZ | 11,1 mm [0.437 in] | 44,45 mm ±3,18 mm [1.75 in ±0.125 in] | - |
|  | AD5721R (M8805/59) AN3169-1 | Adjustable roller lever. Tang on top of actuator can be bent to adjust O.P. and F.P. | BZ, BM | 11,1 mm [0.437 in] approx. | 31,75 mm to 41,15 mm [1.25 in to 1.62 in] | 39,6 mm to 43,7 mm [1.56 in to 1.72 in] |
| | ADA3721R | | BA, BE | 9,53 mm [0.375 in] approx. | 40,48 mm [1.594 in] approx. | 46,03 mm [1.812 in] |
|  | MC2711 (M8805/59) AN3168-2 | Straight plunger. Panel mount | BZ, BM | 4,78 mm [0.188 in] | 27,79 mm [1.094 in] | 29,4 mm [1.156 in] |
| | MCA2711 | | BA, BE | 3,96 mm [0.156 in] | 28,17 mm [1.109 in] | 30,18 mm [1.188 in] |
|  | MC2711H | Sealed straight plunger. Panel mount. Elastomer boot seal resists liquid splash and dirt. Furnished unassembled. | BZ, BM | 4,78 mm [0.188 in] | 28,98 mm [1.141 in] | 29,4 mm [1.156 in] |
| | MCA2711H | | BA, BE | 4,37 mm [0.172 in] | 27,38 mm ±0,76 mm [1.078 in ±0.030 in] | 29,56 mm [1.156 in] |
|  | MD3211Q | Roller plunger. Panel mount. Roller parallel to long axis of the switch | BZ, BM | 3,18 mm [0.125 in] approx. | 35,7 mm [1.406 in] | 37,69 mm [1.484 in] |
| | MDA3711Q | | BA, BE | 3,18 mm [0.125 in] | 36,12 mm [1.422 in] | 37,69 mm [1.484 in] |
|  | MD3211Q1 | Cross roller plunger. Panel mount. Roller perpendicular to long axis of the switch | BZ, BM | 3,18 mm [0.125 in] approx. | 35,7 mm [1.406 in] | 37,69 mm [1.484 in] |
| | MDA3711Q1 | | BA, BE | 3,18 mm [0.125 in] | 36,12 mm [1.422 in] | 37,69 mm [1.484 in] |
|  | MC7711 (M8805/58) AN3167-1 | High overtravel plunger. Panel mount | BZ, BM | 20,62 mm [0.812 in] | 69,1 mm [2.719 in] | 70,64 mm [2.781 in] |
| | MCA7711 | | BA, BE | 19,84 mm [0.781 in] | 69,44 mm [2.734 in] | 71,42 mm [2.812 in] |

* except where stated ±1,14 mm [±0.045 in]

NOTE: All actuators are for use with pin plunger types only, except catalog listing JR.

MICRO SWITCH™ Premium Large Basic Switches

This Honeywell datasheet supports the following MICRO SWITCH™ Premium Large Basic Switch Listings

| | | | | | |
|--------------------|---------------|----------------------|------------------|-----------------|------------------|
| 6AS16 | BA-2RV312T | BM-1RD33-A2 | BZ-2R296 | BZ-2RL | BZ-2RQ181M-A2RS |
| 6AS201 | BA-2RV314-A22 | BM-1RD373 | BZ-2R3000-T4-J | BZ-2RL131T | BZ-2RQ181T |
| 6AS25 | BA-2RV32-P405 | BM-1R-P5 | BZ-2R331 | BZ-2RL2 | BZ-2RQ1824-A2 |
| 6AS34 | BA-2RV336-A2 | BM-1RQ18124-A2 | BZ-2R352420-A2 | BZ-2RL204 | BZ-2RQ1872-A2 |
| 6AS36 | BA-2RV338 | BM-1RQ18-A2 | BZ-2R383-A2 | BZ-2RL224 | BZ-2RQ18-A2 |
| 6AS5 | BA-2RV339-A2 | BM-1RQ1-A2 | BZ-2R389-A2 | BZ-2RL2-A2 | BZ-2RQ18-D5 |
| 6ASN13 | BA-2RV45-A2 | BM-1RS-A2 | BZ-2R391-A2 | BZ-2RL2T04 | BZ-2RQ18M |
| 6ASN39 | BA-2RV6-A2 | BM-1RW822-A2 | BZ-2R53-A2 | BZ-2RL5551-A2 | BZ-2RQ18MA2 |
| 8AS244-MT | BA-2RV-A2 | BM-1RW82-A2 | BZ-2R55 | BZ-2RL5551T | BZ-2RQ18M-A2 |
| 8AS252-BZ | BA-2RV-A4 | BM-1RW84225551051-A2 | BZ-2R55156T-S | BZ-2RL55T-S | BZ-2RQ18M-A2RS |
| 8AS254-BZ | BA-2RV-D5 | BM-1RW842255511-A2 | BZ-2R5528-S | BZ-2RL711 | BZ-2RQ18MD611 |
| 8AS264-MT | BA-2RV-P4 | BM-1RW842255511-A2 | BZ-2R55513-A2 | BZ-2RL712 | BZ-2RQ18-P4 |
| BA-1R2416-A42 | BA-2RVT | BM-1RW84464-A4 | BZ-2R5551-A2 | BZ-2RL99 | BZ-2RQ18T |
| BA-1R3511 | BA-2SBT | BM-2R559729 | BZ-2R5551-P4 | BZ-2RL-A2 | BZ-2RQ18-T4-J |
| BA-1R357 | BA-2SV22T | BM-2R559729-A4 | BZ-2R5551T | BZ-2RL-P4 | BZ-2RQ18UL |
| BA-1R7223524-A2 | BA-3RBX | BM-2RM50-A2 | BZ-2R559729 | BZ-2RLT | BZ-2RQ1-A2 |
| BA-1RV111-A2 | BA-3RX717 | BM-2RQ1-A2 | BZ-2R559729-A4 | BZ-2RLT04 | BZ-2RQ1-D6 |
| BA-1RV133-A4 | BA-3SQ1T | BM-2RW82255512429-A4 | BZ-2R55-A2-S | BZ-2RM | BZ-2RQ1-D682 |
| BA-1RV543510-A2 | BA-3ST | BM-2RW8424-A2 | BZ-2R55-P4-S | BZ-2RM2 | BZ-2RQ1MA2 |
| BA-1RV543512-A2 | BA-5RV310-A2 | BM-2RW8424-A2 | BZ-2R708-P7 | BZ-2RM22 | BZ-2RQ1M-A2RS |
| BA-1RV54352411-A21 | BA-R138-A2 | BM-2RW855-D6 | BZ-2R710-PC2 | BZ-2RM22-A2 | BZ-2RQ1-P4 |
| BA-1RV5435241-A2 | BA-R358-A2 | BZ-1R2448-A2 | BZ-2R722331 | BZ-2RM2-A2 | BZ-2RQ1T |
| BA-1RV5435246-A2 | BA-R82-D685 | BZ-1R2452-A2 | BZ-2R725551 | BZ-2RM31 | BZ-2RQ1T04 |
| BA-1RV5435247-A2 | BE-1R242-A46 | BZ-1R374-P4 | BZ-2R725551-A2 | BZ-2RM-A2 | BZ-2RQ233-A2 |
| BA-2CB708-A2 | BE-1RV320-A4 | BZ-1R5421-A2 | BZ-2R72-A2 | BZ-2R-N108 | BZ-2RQ239-A2 |
| BA-2R | BE-1RV52-A4 | BZ-1R95-A21 | BZ-2R73-A21 | BZ-2R-N114 | BZ-2RQ241-D5 |
| BA-2R164-A4 | BE-2R | BZ-1RDN930 | BZ-2R-A2 | BZ-2R-N124 | BZ-2RQ24-A2 |
| BA-2R24-A2 | BE-2R057-A41 | BZ-1RD-N930 | BZ-2R-A22 | BZ-2RN317-P4 | BZ-2RQ24-D5 |
| BA-2R280-A2 | BE-2R059-A41 | BZ-1RW80-A2N163 | BZ-2R-A22F1 | BZ-2RN702 | BZ-2RQ25272T |
| BA-2R281-A2 | BE-2R2425 | BZ-1RW8255051T-S | BZ-2R-A2F1 | BZ-2RN702-N2 | BZ-2RQ3001-T4-JK |
| BA-2R708-P7 | BE-2R25-A4 | BZ-1RW82991T | BZ-2R-A2N100 | BZ-2RN730 | BZ-2RQ3002-T4-JK |
| BA-2R-A2 | BE-2R-A4 | BZ-1RW82991-T | BZ-2R-A2N101 | BZ-2RN770 | BZ-2RQ66 |
| BA-2R-A4 | BE-2RB | BZ-1RW8472A2N166 | BZ-2R-A2N113 | BZ-2RN784 | BZ-2RQ66-N26 |
| BA-2RB | BE-2RB19-A2 | BZ-2ADT1 | BZ-2R-A2N74 | BZ-2RN7T | BZ-2RQ68 |
| BA-2RB35-A2 | BE-2RB232-A4 | BZ-2AQ1842-PC2 | BZ-2R-A2N80 | BZ-2RN87 | BZ-2RQ69 |
| BA-2RB7-P4 | BE-2RB-A2 | BZ-2AQ18T1 | BZ-2RD | BZ-2R-N87 | BZ-2RQ722233-A2 |
| BA-2RB-A2 | BE-2RB-A4 | BZ-2AQ1T | BZ-2RD23-A2 | BZ-2R-N88 | BZ-2RQ72266 |
| BA-2RB-A4 | BE-2RL-A4 | BZ-2AQ784T | BZ-2RD244T1 | BZ-2RN918 | BZ-2RQ722-A2 |
| BA-2RB-P4 | BE-2R-P4 | BZ-2AT | BZ-2RD24-A2 | BZ-2RN-A2 | BZ-2RQ77 |
| BA-2RL | BE-2RQ1-A2 | BZ-2AW822551-D6 | BZ-2RD331 | BZ-2R-P1 | BZ-2RQ7722 |
| BA-2RL2-A2 | BE-2RQ1-A4 | BZ-2AW822556T | BZ-2RD39-A2 | BZ-2R-P4 | BZ-2RQ77N23 |
| BA-2RL-A2 | BE-2RV193-A4 | BZ-2AW822T | BZ-2RD42-P4 | BZ-2R-P5 | BZ-2RQ77-N24 |
| BA-2R-P1 | BE-2RV22-A2 | BZ-2AW825551T | BZ-2RD44-PC2 | BZ-2R-P7 | BZ-2RQ784 |
| BA-2R-P4 | BE-2RV22-A4 | BZ-2AW82T | BZ-2RD45 | BZ-2RQ | BZ-2RQ785 |
| BA-2R-P7 | BE-2RV24-A2 | BZ-2AW84223T | BZ-2R-D5 | BZ-2RQ1 | BZ-2RQ81A2 |
| BA-2RQ1 | BE-2RV2-A4 | BZ-2AW84244T | BZ-2RD72-A2 | BZ-2RQ1004-A2 | BZ-2RQ81-A2 |
| BA-2RQ1250-A2 | BE-2RV5-A2 | BZ-2AW8557-D6 | BZ-2RD-A2 | BZ-2RQ1008-A2 | BZ-2RQ8-A2 |
| BA-2RQ1-A2 | BE-2RV-A2 | BZ-2AW8558-D6 | BZ-2RD-A2N11 | BZ-2RQ1015-W109 | BZ-2RQ9-A2 |
| BA-2RQ1-D5 | BE-2RV-A4 | BZ-2AW855-D6 | BZ-2RD-D5 | BZ-2RQ1016-W119 | BZ-2RQ-A2 |
| BA-2RQ1T | BE-R0512-A2 | BZ-2AW855T1 | BZ-2RD-D6 | BZ-2RQ1017-A2 | BZ-2RQ-A2N11 |
| BA-2RT | BE-R0512-D69 | BZ-2G-A2 | BZ-2RD-D82 | BZ-2RQ104 | BZ-2RQ-A2N19 |
| BA-2RV | BE-R0512-D691 | BZ-2GW822 | BZ-2RD-N930 | BZ-2RQ115-A2 | BZ-2RQ-A2N9 |
| BA-2RV136-A2 | BE-R205 | BZ-2R | BZ-2RD-P1 | BZ-2RQ124-A2 | BZ-2RQW10-A2 |
| BA-2RV191-A2 | BE-R2420-A2 | BZ-2R15-A6 | BZ-2RD-P4 | BZ-2RQ124-D6 | BZ-2RQW15-A2 |
| BA-2RV219-D68 | BE-R24-A4 | BZ-2R168-A2 | BZ-2RD-PC2 | BZ-2RQ128T | BZ-2RQW1-A2 |
| BA-2RV22 | BF-10032 | BZ-2R21-A2 | BZ-2RDS | BZ-2RQ1331 | BZ-2RQW558-W103 |
| BA-2RV2223-A2 | BM-1R | BZ-2R244-A2 | BZ-2RDS24-S | BZ-2RQ13-A2 | BZ-2RQW55-W103 |
| BA-2RV2233T | BM-1R231-A4 | BZ-2R244-P1 | BZ-2RDS5551-A2 | BZ-2RQ172-A2 | BZ-2RS |
| BA-2RV22-A2 | BM-1R2420 | BZ-2R244T | BZ-2RDS725551-A2 | BZ-2RQ172-D6 | BZ-2RS331 |
| BA-2RV22-D6 | BM-1R2450 | BZ-2R24-A2 | BZ-2RDS-A2-S | BZ-2RQ172-D625 | BZ-2RS5551-A2 |
| BA-2RV22-D81 | BM-1R369-A41 | BZ-2R24-A2N84 | BZ-2RDST-S | BZ-2RQ174-A2 | BZ-2RS55A2 |
| BA-2RV22T | BM-1R373 | BZ-2R258 | BZ-2RDST | BZ-2RQ18 | BZ-2RS55-A2-S |
| BA-2RV241-A2 | BM-1R378-P4 | BZ-2R268-A2 | BZ-2RD-T4-J | BZ-2RQ181 | BZ-2RS7224-A2 |
| BA-2RV2-A2 | BM-1R392-A2 | BZ-2R276-P5 | BZ-2RD-WCBA-240 | BZ-2RQ181-A2 | BZ-2RS72-A2 |
| BA-2RV301-PC2 | BM-1R-A2 | BZ-2R291-A4 | BZ-2RD-WCBA-720 | BZ-2RQ181-D5 | BZ-2RS-A2 |
| BA-2RV303 | BM-1R-A4 | BZ-2R291-P4 | BZ-2RD-WFDE-240 | BZ-2RQ181M | BZ-2RS-P1 |

BZ | BA | BM | BE | 6AS Series

| | | | | | |
|----------------------|----------------------|-------------------|----------------------|---------------------|----------------|
| BZ-2RS-P4 | BZ-2RW822555114-W117 | BZ-2RW82-A2 | BZ-3RS | BZ-7RW8055151-A2-S | BZ-R-A2 |
| BZ-2RST04 | BZ-2RW8225551-A2 | BZ-2RW82-A2N131 | BZ-3RW80155551-A2-S | BZ-7RW80A2F1 | BZ-R-A2N104 |
| BZ-2RS-T4-J | BZ-2RW8225551-A46 | BZ-2RW82-D5 | BZ-3RW80551-A2-S | BZ-7RW80-A2N164 | BZ-R-A2N110 |
| BZ-2RT | BZ-2RW8225551-D6 | BZ-2RW82T | BZ-3RW80552-A2-S | BZ-7RW82127T-S | BZ-R-A2N112 |
| BZ-2RT04 | BZ-2RW8225551T | BZ-2RW82T4-J | BZ-3RW8055-A2-S | BZ-7RW82132T-S | BZ-R-A2N117 |
| BZ-2R-T4-J | BZ-2RW8225551T | BZ-2RW84 | BZ-3RW82134-A2 | BZ-7RW82135-A2 | BZ-RD |
| BZ-2RW0172-J | BZ-2RW8225551-W103 | BZ-2RW8405-A2 | BZ-3RW822155112D6S | BZ-7RW8221555516T-S | BZ-RD178 |
| BZ-2RW53-A2 | BZ-2RW82255721W122 | BZ-2RW84118-A41 | BZ-3RW82215555111T-S | BZ-7RW82255518T | BZ-RD242 |
| BZ-2RW53-A2RS | BZ-2RW82255A2 | BZ-2RW842216-D6 | BZ- | BZ-7RW8225551-D6 | BZ-RD24-A4 |
| BZ-2RW80 | BZ-2RW82255-A2-S | BZ-2RW8422-A2 | 3RW82215555112D6S | BZ-7RW822-A2 | BZ-RD722-A2 |
| BZ-2RW80136-A2 | BZ-2RW82255-S | BZ-2RW84229-P52 | BZ-3RW8221555513T | BZ-7RW82550511PC2S | BZ-RD-A2 |
| BZ-2RW80147-A2 | BZ-2RW82255T-S | BZ-2RW8424511-A2 | BZ-3RW8221555513T-S | BZ-7RW82550519-A2-S | BZ-RD-A2N10 |
| BZ-2RW80147-P4 | BZ-2RW8225-A2-S | BZ-2RW8435145T | BZ-3RW822158-A46 | BZ-7RW825520-A2-S | BZ-RF3 |
| BZ-2RW80161-A2 | BZ-2RW82262T | BZ-2RW843589-P4 | BZ-3RW822-A2 | BZ-7RW84449-A2 | BZ-R-F3 |
| BZ-2RW80172-A2 | BZ-2RW82271 | BZ-2RW8435-A2 | BZ-3RW822T | BZ-7RW84-A2 | BZ-R-J |
| BZ-2RW80196-A2 | BZ-2RW82272100-A2 | BZ-2RW84375T | BZ-3RW825515-A2-S | BZ-7RW855T-S | BZ-RL |
| BZ-2RW80198T | BZ-2RW822725551 | BZ-2RW84429-P52 | BZ-3RW825516-PC2-S | BZ-7RWT04 | BZ-RL95 |
| BZ-2RW80225-A2 | BZ-2RW82272555124-A2 | BZ-2RW84441-A2 | BZ-3RW899555110PC2-S | BZ-7RWT80 | BZ-RLX |
| BZ-2RW80231-A2 | BZ-2RW822725551-A2 | BZ-2RW84449-A2 | S | BZ-7RWT822 | BZ-RMX |
| BZ-2RW80233-A2 | BZ-2RW822725551-A46 | BZ-2RW8446072-PC2 | BZ-3YDT | BZ-7RWT822101 | BZ-RMX23-A29 |
| BZ-2RW8024 | BZ-2RW82272-A2 | BZ-2RW84462-A2 | BZ-3YN702 | BZ-7RX-N2 | BZ-RMX4 |
| BZ-2RW80259-A2 | BZ-2RW82272D5 | BZ-2RW84467-A2 | BZ-3YN703 | BZ-7RX-N3 | BZ-RMX4-A29 |
| BZ-2RW80282-A2 | BZ-2RW82272-D5 | BZ-2RW84512T | BZ-3YQ18T | BZ-7YQ1T1 | BZ-RMX6-B7 |
| BZ-2RW80283-PC2 | BZ-2RW82276T | BZ-2RW84514-A2 | BZ-3YQ1T | BZ-R | BZ-R-N111 |
| BZ-2RW80288-A2 | BZ-2RW82279-A21 | BZ-2RW84514-A22 | BZ-3YQ66T | BZ-R1691 | BZ-R-N115 |
| BZ-2RW80331 | BZ-2RW82291-A2 | BZ-2RW8478-D5 | BZ-3YQ67T | BZ-R1692 | BZ-R-N86 |
| BZ-2RW8055285T-S | BZ-2RW822995-A2 | BZ-2RW8497-A2 | BZ-3YQ68T | BZ-R169-N78 | BZ-RN917 |
| BZ-2RW80555110T | BZ-2RW82299-A2 | BZ-2RW84-A2 | BZ-3YQ69T | BZ-R169-WCBA-060-T | BZ-R-N917 |
| BZ-2RW80555113-A2 | BZ-2RW822-A2 | BZ-2RW84T | BZ-3YQ8T | BZ-R173-A4 | BZ-RN953 |
| BZ-2RW8055513-A2 | BZ-2RW822-A2N138 | BZ-2RW855 | BZ-3YST | BZ-R173-P4 | BZ-R-N953 |
| BZ-2RW8055513T | BZ-2RW822-D5 | BZ-2RW855051-A2-S | BZ-3YT | BZ-R178 | BZ-R-P4 |
| BZ-2RW8055513-W118 | BZ-2RW822-D612 | BZ-2RW855511T | BZ-3YT552 | BZ-R178-WCBA-030-T | BZ-RQ1-A2 |
| BZ-2RW8055516T | BZ-2RW822-P4 | BZ-2RW855A2 | BZ-3YWT82 | BZ-R178-WCBA-060-T | BZ-RQ1T04 |
| BZ-2RW8055517-A2 | BZ-2RW822T | BZ-2RW855-A2-S | BZ-3YWT822 | BZ-R178-WCBA-250 | BZ-RQ1X |
| BZ-2RW80555196T | BZ-2RW822-T4-J | BZ-2RW855-P4-S | BZ-5RW822A2F2 | BZ-R178-WFDE-050-T | BZ-RQ66 |
| BZ-2RW805551-A2 | BZ-2RW8238-A2 | BZ-2RW855-S | BZ-5RW822-A2F2 | BZ-R178-WFDE-240 | BZ-RQ69 |
| BZ-2RW8055520T | BZ-2RW82443-A2 | BZ-2RW855T-S | BZ-5RW84A2N161 | BZ-R179 | BZ-RQ-A2 |
| BZ-2RW8072224286-A2 | BZ-2RW82444-A2 | BZ-2RW863 | BZ-5RW84-A2N161 | BZ-R179-WCBA-060-T | BZ-RQX |
| BZ-2RW80722555105-A2 | BZ-2RW8244-A2 | BZ-2RW86324-A2 | BZ-7R24-A2 | BZ-R179-WCBA-240 | BZ-RQX167 |
| BZ-2RW8072-A2 | BZ-2RW8244-P4 | BZ-2RW8635551-A2 | BZ-7R277 | BZ-R179-WFDE-060-T | BZ-RQX66 |
| BZ-2RW80-A2 | BZ-2RW824-A2 | BZ-2RW863-A2 | BZ-7R331 | BZ-R179-WFDE-240 | BZ-RS |
| BZ-2RW80-A2N130 | BZ-2RW825 | BZ-2RW863T | BZ-7R336T | BZ-R19-A2 | BZ-RS66 |
| BZ-2RW80A2UL | BZ-2RW8253312 | BZ-2RW8761-A2 | BZ-7R35-A4 | BZ-R20 | BZ-RS72-N9 |
| BZ-2RW80-A2UL | BZ-2RW8255 | BZ-2RW876-PC2 | BZ-7R55T-S | BZ-R21 | BZ-RS801-A2 |
| BZ-2RW80-D5 | BZ-2RW825518-A2-S | BZ-2RW876T | BZ-7R-A2 | BZ-R2136-P1 | BZ-RS-A2 |
| BZ-2RW8155551-A2 | BZ-2RW82555110-A2 | BZ-2RW881T | BZ-7R-A2N128 | BZ-R2137-A2 | BZ-RS-A2N8 |
| BZ-2RW82 | BZ-2RW82555110T | BZ-2RW896-A2 | BZ-7R-A2N130 | BZ-R214 | BZ-RSN10 |
| BZ-2RW82113T | BZ-2RW82555111-A2 | BZ-2RW897-A2 | BZ-7R-A2N131 | BZ-R21-A2 | BZ-RS-N10 |
| BZ-2RW82120-A21 | BZ-2RW82555111-A46 | BZ-2RW8999-A2 | BZ-7RD-A2 | BZ-R2411 | BZ-RSX |
| BZ-2RW82128-T | BZ-2RW8255516-A2 | BZ-2RW899-A2 | BZ-7RL127 | BZ-R2411-A4 | BZ-RT04 |
| BZ-2RW82155551-A2 | BZ-2RW8255517-T | BZ-2RWT04 | BZ-7RL13072T | BZ-R2430 | BZ-RW53-A2 |
| BZ-2RW8219-A2 | BZ-2RW825551-A2 | BZ-2RWT80 | BZ-7RL367T | BZ-R2430-P1 | BZ-RW80331 |
| BZ-2RW822 | BZ-2RW825551-D6 | BZ-3A55T | BZ-7RL36872T | BZ-R2439-P4 | BZ-RW80722-A2 |
| BZ-2RW822102-A2 | BZ-2RW82555T-S | BZ-3AD-PC2 | BZ-7RLT04 | BZ-R30372-PC2 | BZ-RW80-A2 |
| BZ-2RW82212-A2 | BZ-2RW8255A2 | BZ-3ALT1 | BZ-7RLT711 | BZ-R31 | BZ-RW80-A2N144 |
| BZ-2RW82212T | BZ-2RW8255-A2 | BZ-3AST | BZ-7R-N89 | BZ-R330-P4 | BZ-RW80-A2N155 |
| BZ-2RW82215-P12 | BZ-2RW8255-A2-S | BZ-3AT | BZ7-RN89 | BZ-R370-P5 | BZ-RW80-A2N156 |
| BZ-2RW82215T | BZ-2RW8255T-S | BZ-3AW8055511T | BZ-7R-P5 | BZ-R546-D6 | BZ-RW80X |
| BZ-2RW822244-A2 | BZ-2RW825-A2 | BZ-3AW805551T | BZ-7RQ1 | BZ-R55511-A4 | BZ-RW80X37-A29 |
| BZ-2RW82224-A2 | BZ-2RW826 | BZ-3AW82254T | BZ-7RQ144T | BZ-R55514-P4 | BZ-RW82051-A2 |
| BZ-2RW8222-A2 | BZ-2RW826-A2 | BZ-3R | BZ-7RQ181T | BZ-R55-A2-S | BZ-RW822 |
| BZ-2RW8223312 | BZ-2RW826-A2RS | BZ-3R2446 | BZ-7RQ18T | BZ-R55-P4-S | BZ-RW822-A2 |
| BZ-2RW82244-A2 | BZ-2RW826T | BZ-3R-A2 | BZ-7RQ1T | BZ-R55-S | BZ-RW822-P4 |
| BZ-2RW82255 | BZ-2RW82725551-A2 | BZ-3RD-A2 | BZ-7RST | BZ-R7216 | BZ-RW84 |
| BZ-2RW822551529T-S | BZ-2RW82725551-D6 | BZ-3RDS152T-S | BZ-7RT04 | BZ-R7216-P5 | BZ-RW8405-A2 |
| BZ-2RW8225534-W123 | BZ-2RW828-A2 | BZ-3RDS15T-S | BZ-7RW204 | BZ-R812 | BZ-RW842 |
| BZ-2RW8225551 | BZ-2RW8292 | BZ-3RQ115T | BZ-7RW2T04 | BZ-R88 | BZ-RW842214-P4 |
| BZ-2RW822555114-A46 | BZ-2RW8299-A2 | BZ-3RQ1-A2 | BZ-7RW80189-A2 | BZ-R88-A2 | BZ-RW842214-P5 |

MICRO SWITCH™ Premium Large Basic Switches

| | | | |
|--------------------|---------------|---------------------|---------------------|
| BZ-RW8422-A2 | BZ-RW-F1 | WM-1RW88294T | YE-2RB-A4 |
| BZ-RW8422-P4 | BZ-RW-F3 | WZ-2RD19-D1 | YE-2RQ27-A4 |
| BZ-RW8435 | BZ-RX | WZ-2RQ15-A2 | YE-2RV198-A41 |
| BZ-RW8435113-A2-1 | BZ-RX122 | WZ-2RQ1846 | YE-2RV22-D5 |
| BZ-RW8435149-A2 | BZ-RX122-A29 | WZ-2RQ1T | YE-2RV248-D6 |
| BZ-RW8435149-D6 | BZ-RX20 | WZ-2RQW55-W104 | YM-1R2450 |
| BZ-RW843515 | BZ-RX243 | WZ-2RW822-A2 | YM-1R-A2 |
| BZ-RW8435161-A2 | BZ-RX43 | WZ-2RW84429-P52 | YZ-2R296-A2 |
| BZ-RW8435164-A2 | BZ-RX47 | WZ-3RW8221555514T-S | YZ-2R5556T |
| BZ-RW843517372-A21 | BZ-RX48 | WZ-R | YZ-2R-A2 |
| BZ-RW8435-A2 | BZ-RX53-B7 | WZ-R141 | YZ-2R-A21 |
| BZ-RW84411-A2 | BZ-RX9 | WZ-R296 | YZ-2RDS4 |
| BZ-RW84414-A2 | BZ-RX-D584 | YA-1R5435242-A2 | YZ-2RDS5551-D6 |
| BZ-RW84431-A2 | BZ-RX-F1 | YA-2CB16-A2 | YZ-2RL |
| BZ-RW84461-A2 | WA-1R249-A42 | YA-2CB713-A2 | YZ-2RQ1T |
| BZ-RW847225-A2 | WA-1RVX051-A4 | YA-2R-A2 | YZ-2RQW-A2 |
| BZ-RW84-A2 | WA-1RVX132-A4 | YA-2RB18-A21 | YZ-2RS-A2 |
| BZ-RW84-A2N145 | WA-1RX123-A4 | YA-2RB19-A64 | YZ-2RW805551T |
| BZ-RW84-A2N157 | WA-1RX12-A4 | YA-2RB-A2 | YZ-2RW812-A2 |
| BZ-RW84-N108 | WA-1RX12-A41 | YA-2RB-A64 | YZ-2RW822-A2 |
| BZ-RW84-N20 | WA-1RX33-A4 | YA-2RB-D504 | YZ-2RW82725551-D6 |
| BZ-RW84-N94 | WA-1RX38-A41 | YA-2RBT | YZ-2RW8435114-D5-S |
| BZ-RW84X33 | WA-1RX-A4 | YA-2RL-A6 | YZ-2RW84-A2 |
| BZ-RW85X2 | WA-1RX-A41 | YA-2RL-P4 | YZ-2RW863-A2 |
| BZ-RW889 | WA-2R-A2 | YA-2RQ1243-D6 | YZ-3RW845547-A2-S |
| BZ-RW9221 | WA-2R-A21 | YA-2RQ1-A2 | YZ-7RW8221555516T-S |
| BZ-RW9223312 | WA-2RV178-A2 | YA-2RQ81245-D6 | YZ-R |
| BZ-RW922-A2 | WA-2RV313-A22 | YA-2RV54321-D6 | YZ-RSX351 |
| BZ-RW922-P4 | WM-1R369-AR2 | YA-3R64-A2 | YZ-RX58-D5 |
| BZ-RW925 | WM-1R369-AR4 | YE-2RB-A2 | YZ-RX-D584 |

ADDITIONAL INFORMATION

The following associated literature is available at sensing.honeywell.com:

- Product installation instructions
- Product application-specific information
 - Sensors and switches for potential HVAC/R applications
 - Sensors and switches for valve monitors and valve indicators
 - Sensors and switches in oil rig applications
 - Sensors and switches in sanitary valves
- Case study
 - A good range of mobility - BZ Series
- BZ/BA performance information
- Applying basic switches
- Low energy switching guide
- Product range guide

WARNING

PERSONAL INJURY

DO NOT USE these products as safety or emergency stop devices or in any other application where failure of the product could result in personal injury.

Failure to comply with these instructions could result in death or serious injury.

WARNING

MISUSE OF DOCUMENTATION

- The information presented in this product sheet is for reference only. Do not use this document as a product installation guide.
- Complete installation, operation, and maintenance information is provided in the instructions supplied with each product.

Failure to comply with these instructions could result in death or serious injury.

WARRANTY/REMEDY

Honeywell warrants goods of its manufacture as being free of defective materials and faulty workmanship. Honeywell's standard product warranty applies unless agreed to otherwise by Honeywell in writing; please refer to your order acknowledgement or consult your local sales office for specific warranty details. If warranted goods are returned to Honeywell during the period of coverage, Honeywell will repair or replace, at its option, without charge those items it finds defective. **The foregoing is buyer's sole remedy and is in lieu of all other warranties, expressed or implied, including those of merchantability and fitness for a particular purpose. In no event shall Honeywell be liable for consequential, special, or indirect damages.**

While we provide application assistance personally, through our literature and the Honeywell website, it is up to the customer to determine the suitability of the product in the application.

Specifications may change without notice. The information we supply is believed to be accurate and reliable as of this printing. However, we assume no responsibility for its use.

Find out more

Honeywell serves its customers through a worldwide network of sales offices, representatives and distributors. For application assistance, current specifications, pricing or name of the nearest Authorized Distributor, contact your local sales office.

To learn more about Honeywell's sensing and control products, call **+1-815-235-6847** or **1-800-537-6945**, visit **sensing.honeywell.com**, or e-mail inquiries to **info.sc@honeywell.com**

Sensing and Control
Honeywell
1985 Douglas Drive North
Golden Valley, MN 55422
honeywell.com

The Honeywell logo is displayed in a bold, red, sans-serif font.