



HOA1397-002

HOA Series Reflective Sensor, Transistor Output, Plastic Package

Representative photograph, actual product appearance may vary.

Due to regional agency approval requirements, some products may not be available in your area. Please contact your regional Honeywell office regarding your product of choice.

Features

- Choice of phototransistor or photodarlington output
- Low profile for design flexibility
- Unfocused for sensing diffused surfaces

Description

The HOA1397 series consists of an infrared emitting diode and an NPN silicon phototransistor (HOA1397-001, -002) or photodarlington (HOA1397-031, 032), encased side-by-side on parallel axes in a miniature black thermoplastic housing. The detector responds to radiation from the IRED only when a reflective object passes within its field of view. The HOA1397 series employs plastic molded components. For additional component information refer to SEP8507 and SDP8407.

Housing material is polyester. Housings are soluble in chlorinated hydrocarbons and ketones. Recommended cleaning agents are methanol and isopropanol.



HOA1397-002

HOA Series Reflective Sensor, Transistor Output, Plastic Package

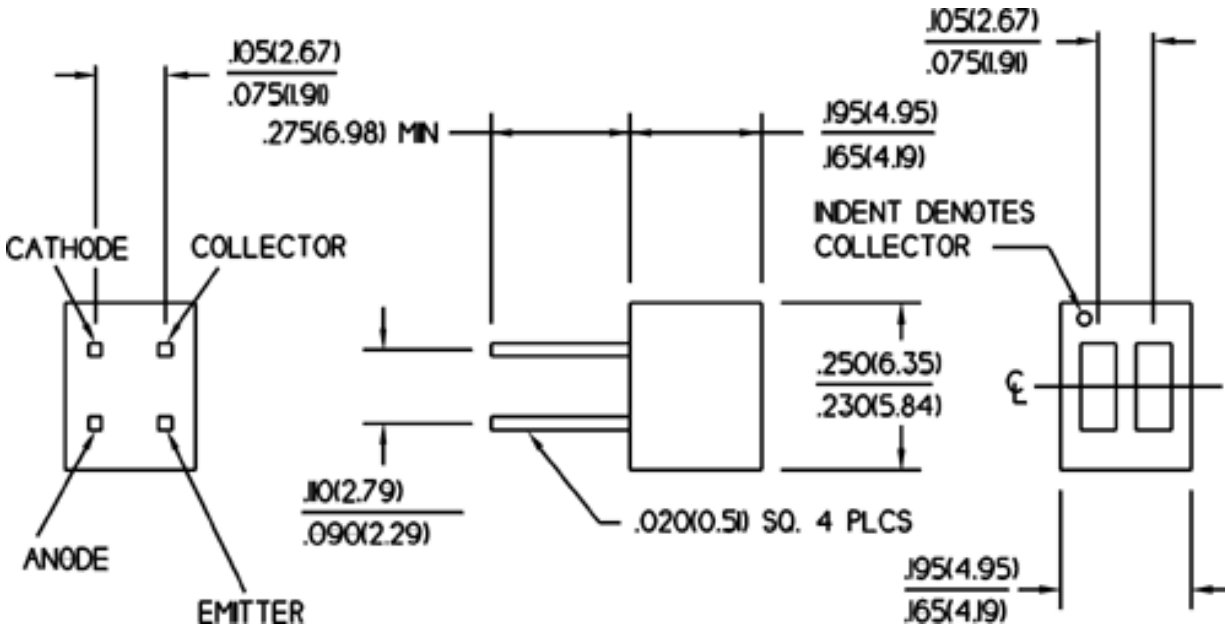
Product Specifications	
Product Type	IR Switch
On-State Collector Current	0.70 mA
Output	Transistor
Package Style	Side-Looking
Package Components	Plastic
Package Color	Black
Forward Current	20 mA
Continuous Forward Current	60 mA
Forward Voltage	1.6 V

Reverse Breakdown Voltage	3 V
Reverse Current	10 μ A
Housing Material	Polyester
Rise and Fall Time	15 μ s
Power Dissipation	100 mW
Operating Temperature Range	-40 °C to 85 °C [-40 °F to 185 °F]
Dark Current	100 nA
Collector DC Current	30 mA
Collector-Emitter Breakdown Voltage	30 V
Emitter-Collector Breakdown Voltage	5 V
Collector-Emitter Saturation Voltage	0.4 V
Availability	Global
Product Name	Reflective Sensor
Optimum Point of Response	1,27 mm [0.05 in]



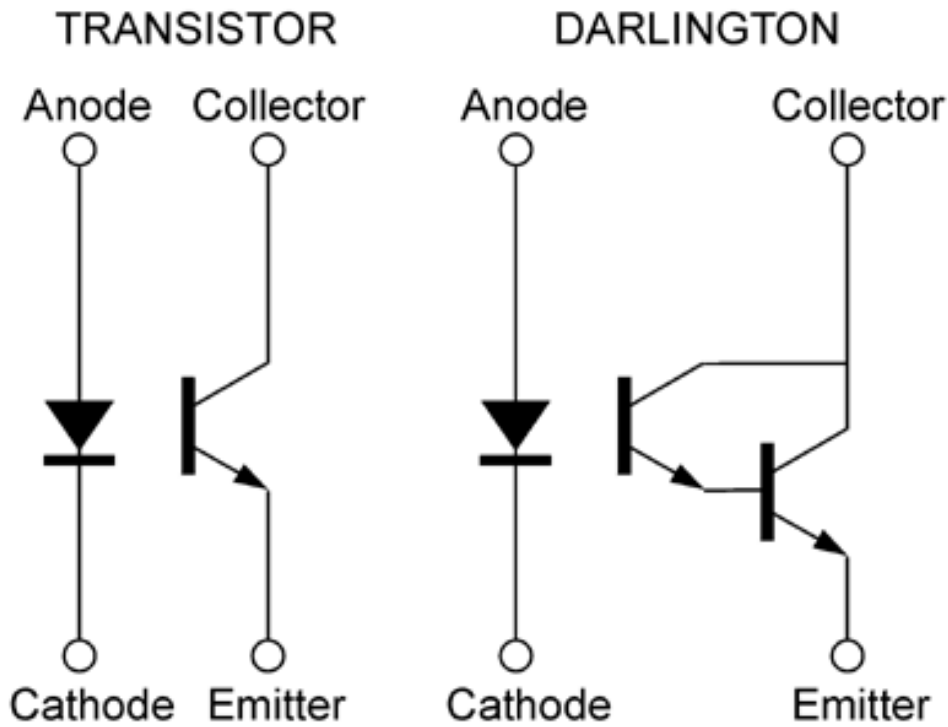
HOA1397-002

HOA Series Reflective Sensor, Transistor Output, Plastic Package



HOA1397-002

HOA Series Reflective Sensor, Transistor Output, Plastic Package



HOA1397-002

HOA Series Reflective Sensor, Transistor Output, Plastic Package

⚠ WARNING

PERSONAL INJURY

DO NOT USE these products as safety or emergency stop devices, or in any other application where failure of the product could result in personal injury.

Failure to comply with these instructions could result in death or serious injury.

WARNING

MISUSE OF DOCUMENTATION

- The information presented in this product sheet (or catalog) is for reference only. DO NOT USE this document as product installation information.
- Complete installation, operation and maintenance information is provided in the instructions supplied with each product.

Failure to comply with these instructions could result in death or serious injury.

© Copyright Honeywell Inc.1998-2004 All rights reserved.