



Representative photograph, actual product appearance may vary.

Due to regional agency approval requirements, some products may not be available in your area. Please contact your regional Honeywell office regarding your product of choice.

HOA1180-002

HOA Series Reflective Sensor, Transistor Output, Metal Can Packaged Components

Features

- Choice of phototransistor or photodarlington output
- High sensitivity
- Wide operating temperature range [-55 °C to 100 °C]
- 12.0 in [305 mm] min. 28 AWG PVC insulated wire leads

Description

The HOA1180 series consists of an infrared emitting diode and an NPN silicon phototransistor (HOA1180-001, -002) or photodarlington (HOA1180-003), encased side-by-side on converging optical axes in a black thermoplastic housing. The detector responds to radiation from the IRED only when a reflective object passes within its field of view. The HOA1180 series employs metal can packaged components. For additional component information see SE1450, SD1440, and SD1410.

Housing material is polyester. Housings are soluble in chlorinated hydrocarbons and ketones. Recommended cleaning agents are methanol and isopropanol.

Wire color code and functions are:

All devices

- IRED anode - Red
- IRED cathode - Black

HOA1180-001

- Collector - Brown
- Emitter - Black

HOA1180-002

- Collector - Orange
- Emitter - Black

HOA1180-003

- Collector - Yellow
- Emitter - Black



HOA1180-002

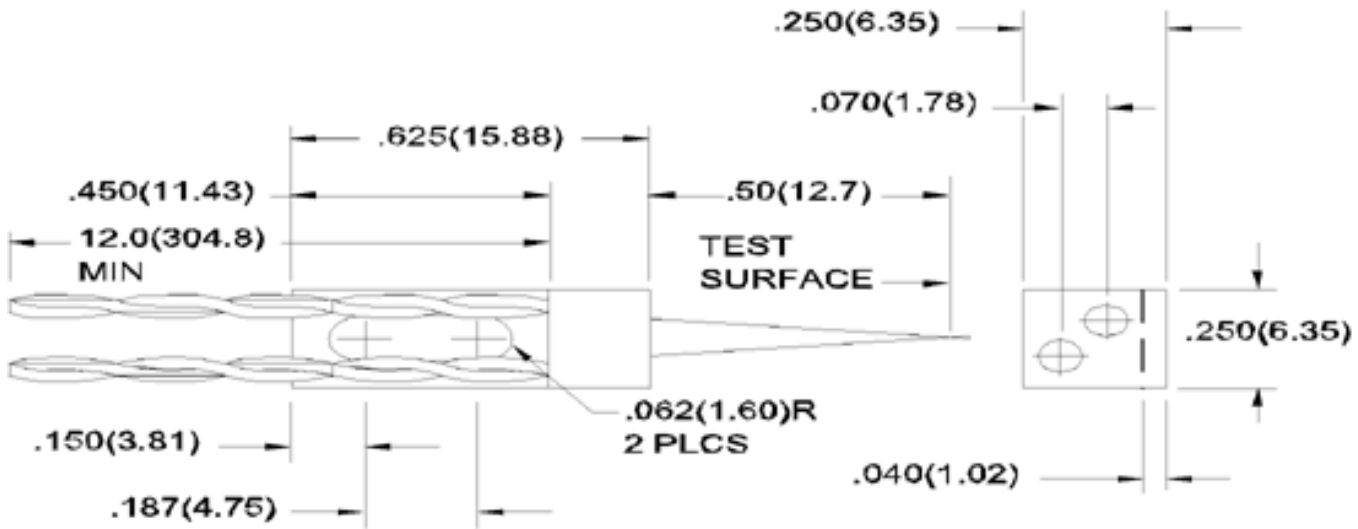
HOA Series Reflective Sensor, Transistor Output, Metal Can Packaged Components

Product Specifications	
Product Type	IR Switch
On-State Collector Current	0.16 mA
Output	Transistor
Package Style	Side-Looking
Package Components	Plastic
Package Color	Black
Forward Current	30 mA
Continuous Forward Current	50 mA
Forward Voltage	1.6 V
Reverse Breakdown Voltage	3 V
Reverse Current	10 μ A
Housing Material	Polyester
Rise and Fall Time	15 μ s
Power Dissipation	75 mW
Operating Temperature Range	-55 °C to 100 °C [-67 °F to 212 °F]
Dark Current	100 nA
Collector DC Current	30 mA
Collector-Emitter Breakdown Voltage	30 V
Emitter-Collector Breakdown Voltage	5 V
Collector-Emitter Saturation Voltage	0.4 V
Availability	Global
Product Name	Reflective Sensor
Optimum Point of Response	6,35 mm [0.25 in]

Honeywell

HOA1180-002

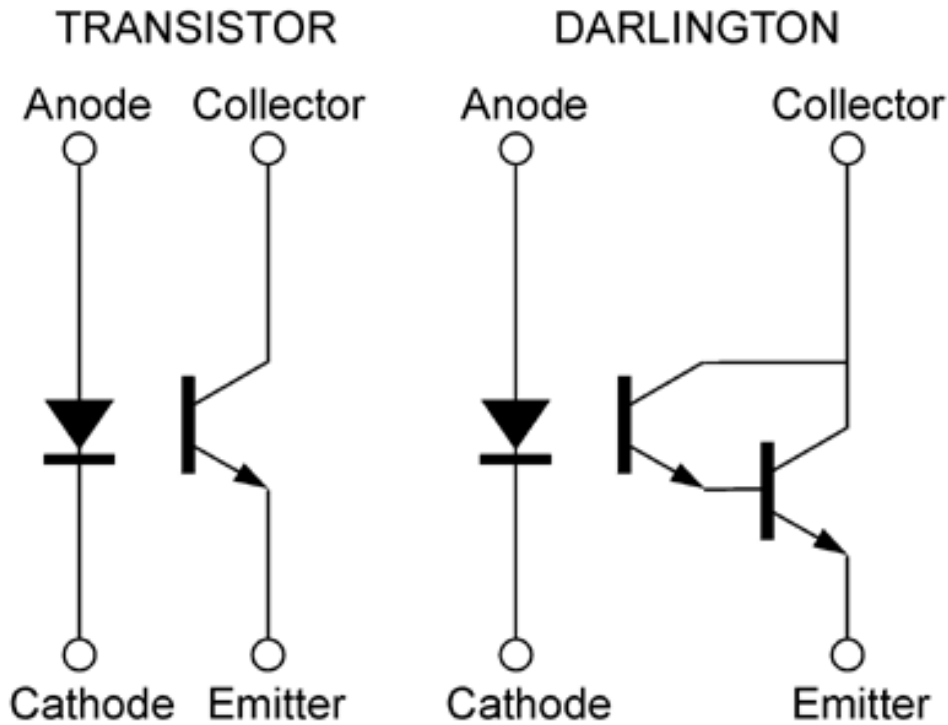
HOA Series Reflective Sensor, Transistor Output, Metal Can Packaged Components



Honeywell

HOA1180-002

HOA Series Reflective Sensor, Transistor Output, Metal Can Packaged Components



Honeywell

HOA1180-002

HOA Series Reflective Sensor, Transistor Output, Metal Can Packaged Components

WARNING

PERSONAL INJURY

DO NOT USE these products as safety or emergency stop devices, or in any other application where failure of the product could result in personal injury.

Failure to comply with these instructions could result in death or serious injury.

WARNING

MISUSE OF DOCUMENTATION

- The information presented in this product sheet (or catalog) is for reference only. DO NOT USE this document as product installation information.
- Complete installation, operation and maintenance information is provided in the instructions supplied with each product.

Failure to comply with these instructions could result in death or serious injury.

© Copyright Honeywell Inc. 1998-2004 All rights reserved.