

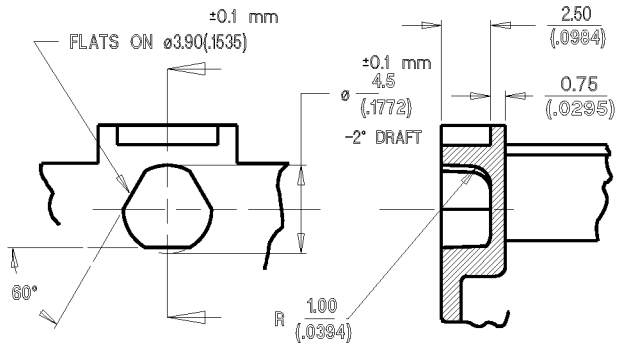
Honeywell

BASIC SWITCH
SLOW ACTION - 2 NORMALLY CLOSED

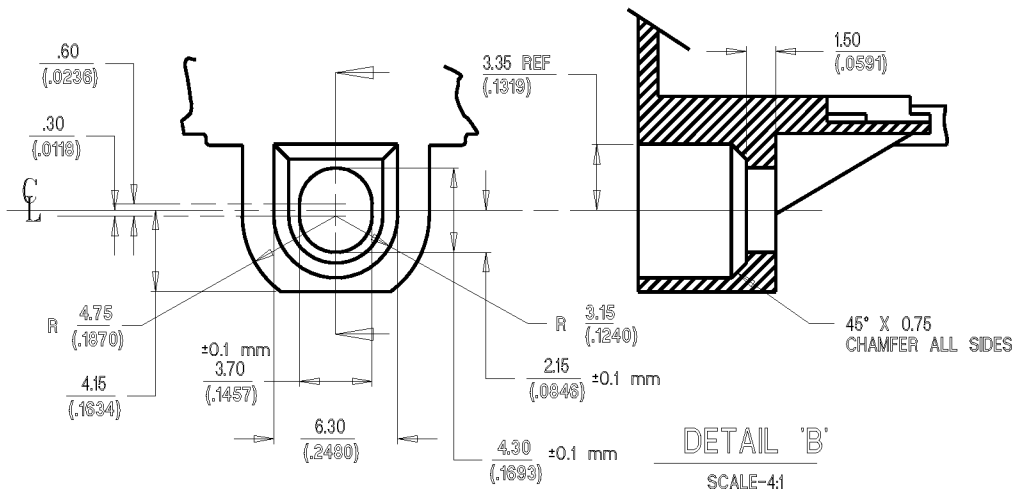
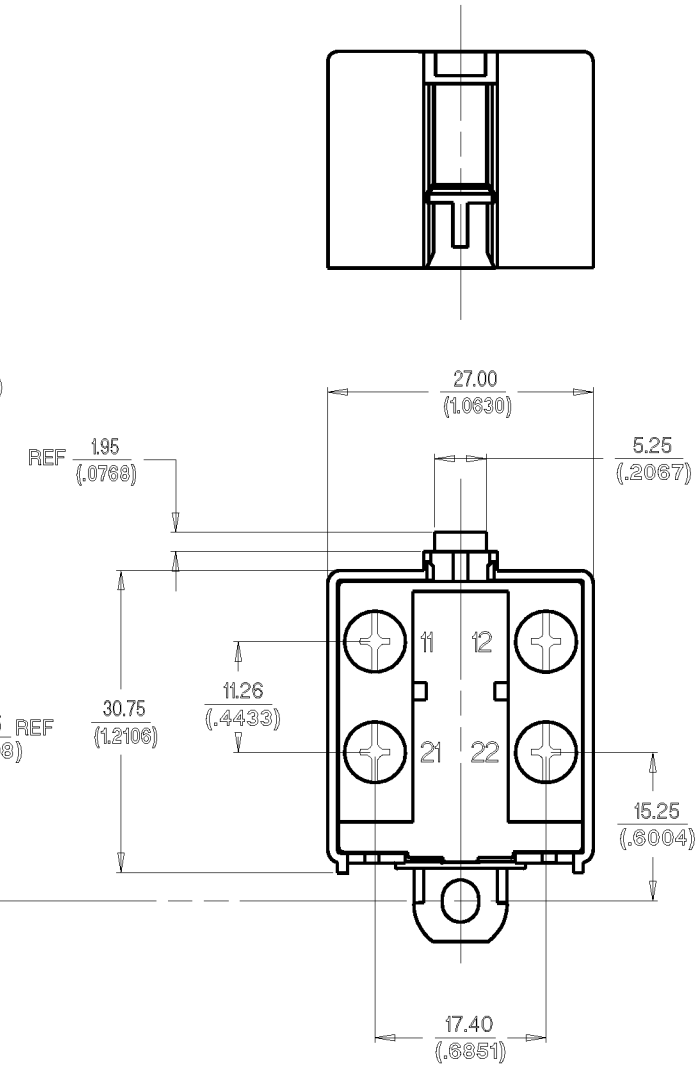
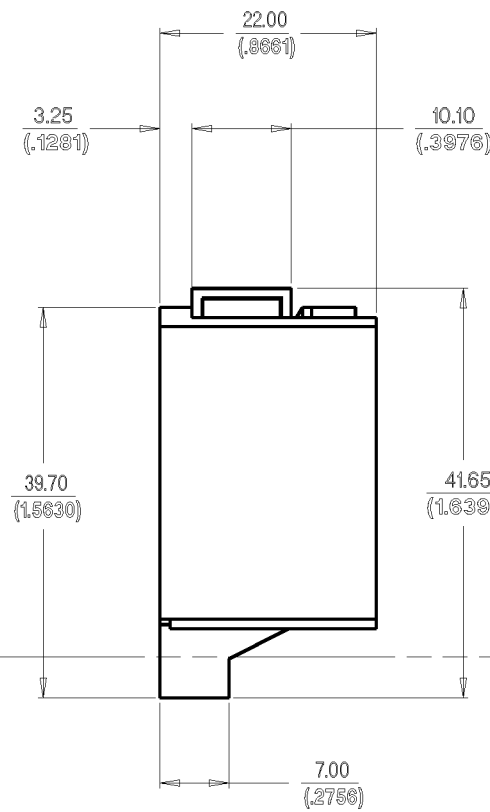
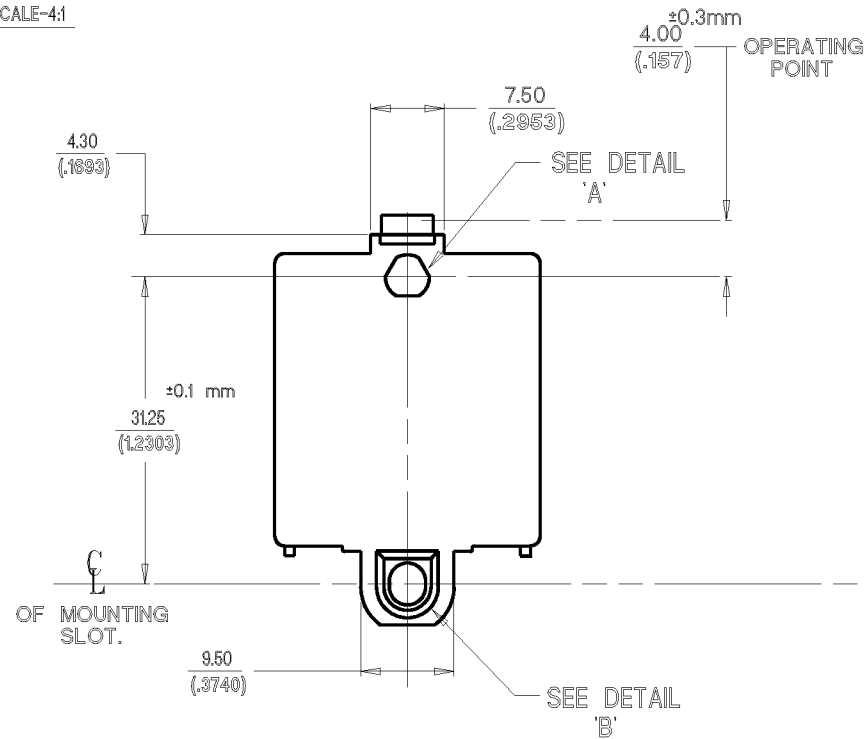
CATALOGUE LISTING

GLZ306

- NOTES:-
1. MOUNTING HOLE WILL ACCEPT M3 MAX. SCREW.
 2. TERMINALS WILL ACCEPT CONDUCTORS OF — STRANDED WIRE 18 TO 14 AWG
SOLID WIRE 18 TO 16 AWG.
 3. SWITCHES ARE APPROVED TO EN60947-5-1
 4. THERMOPLASTIC CASE, COVER AND PLUNGER.



DETAIL 'A'
SCALE-4:1



DETAIL 'B'
SCALE-4:1

GLZ306

M

DRAWING NUMBER

ISSUE 1

REVISIONS

08/97

DRAWN J. O'DONNELL

CHECK

DESIGN

AUTHOR *N

DO NOT PRINT

REPLACES

DR

RELEASE NUMBER

THE COPYRIGHT OF THIS DRAWING IS THE PROPERTY OF HONEYWELL LTD. THE DRAWING IS SUPPLIED IN CONFIDENCE AND MUST NOT BE USED FOR ANY PURPOSE OTHER THAN THAT FOR WHICH IT IS SUPPLIED.

THIRD ANGLE PROJECTION



SCALE:- 2:1

DIMENSIONS ARE IN MM/INCHES

| CHARACTERISTICS | | ELECTRICAL DATA | |
|-----------------------|-------------|---|--|
| FORCE TO BREAK | 4.5N ±2N | CONTACT ARRANGEMENT | BREAK DISTANCE |
| SIMULTANEITY | 0.25mm MAX. | 2Y | 3.5 mm |
| PRETRAVEL | 2mm ±0.3 | ELECTRICAL RATINGS (DEPENDANT ON ENCLOSURE) | |
| OVERTRAVEL | 3mm MIN. | AC15 A500 | |
| FULL OVERTRAVEL FORCE | 9N | DC13 Q300 | |
| | | I th 10A | TOLERANCES UNLESS OTHERWISE STATED ±0.25 |
| | | | ANGULAR ± |
| | | | MODIFY ON CAD3D SYSTEM ONLY |