

MICRO SWITCH

A DIVISION OF MINNEAPOLIS HONEYWELL REGULATOR COMPANY
ROSCHESTER, MINNESOTA

FED. MFR. CODE 91929

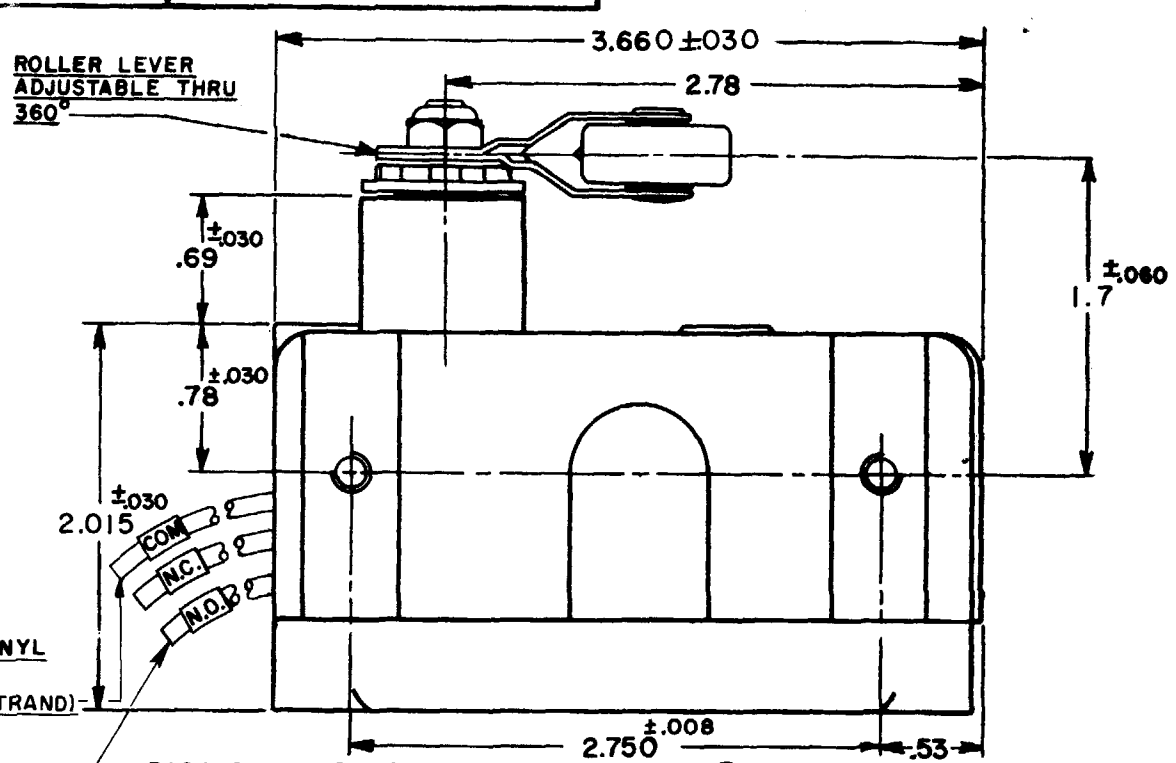
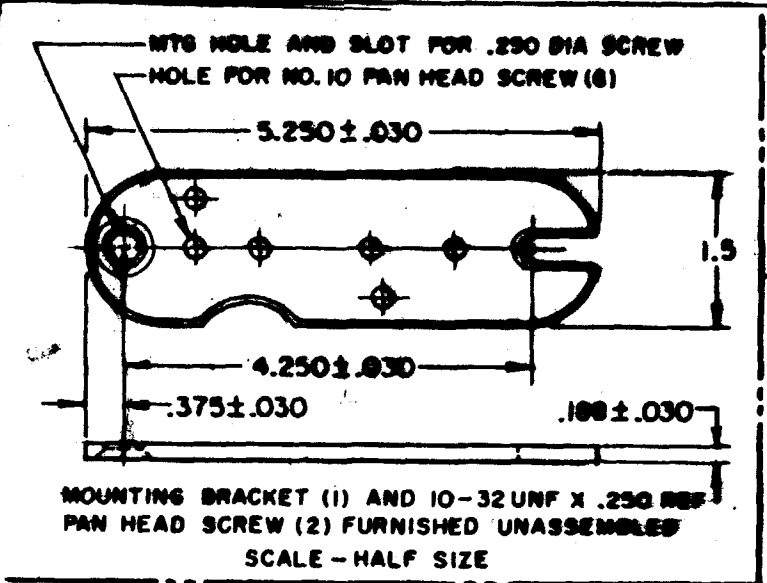
SWITCH - ENCLOSED

CATALOG LISTING
EXH-AR33

THIS DRAWING COVERS A PROPRIETARY ITEM AND IS THE PROPERTY OF MICRO SWITCH, A DIVISION OF HONEYWELL. THIS DRAWING IS NOT TO BE COPIED OR USED WITHOUT THE APPROVAL OF MICRO SWITCH.

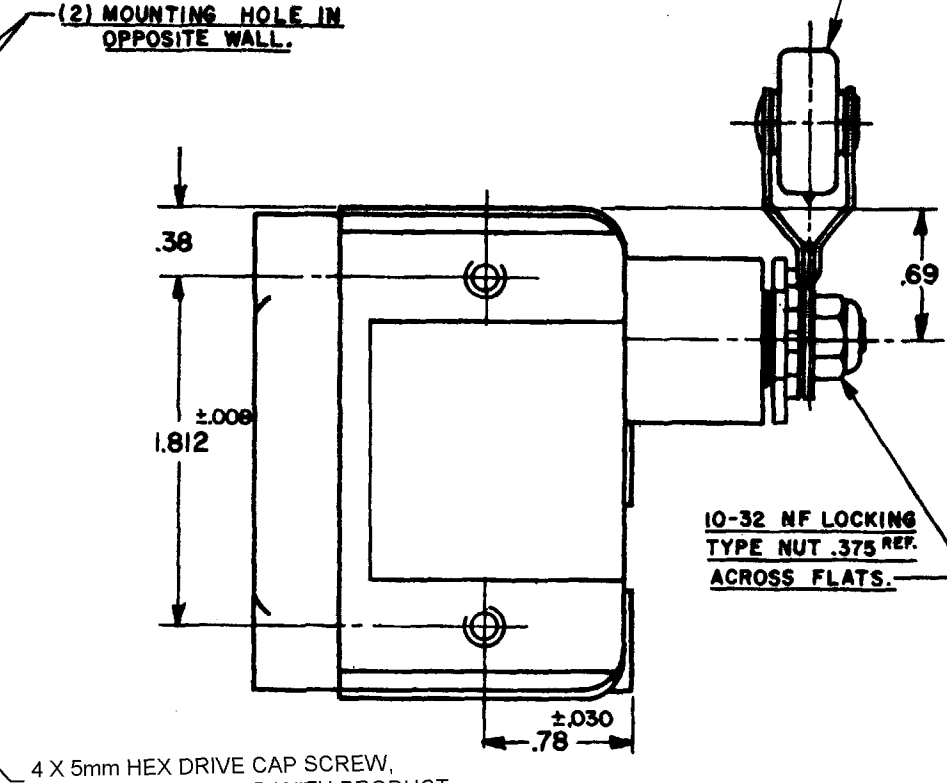
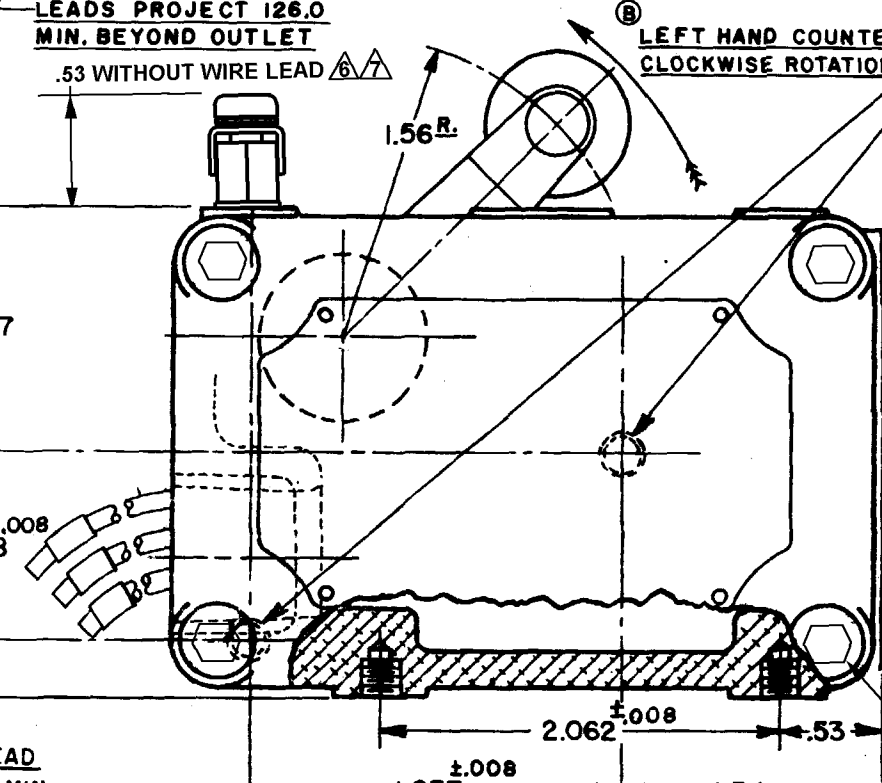
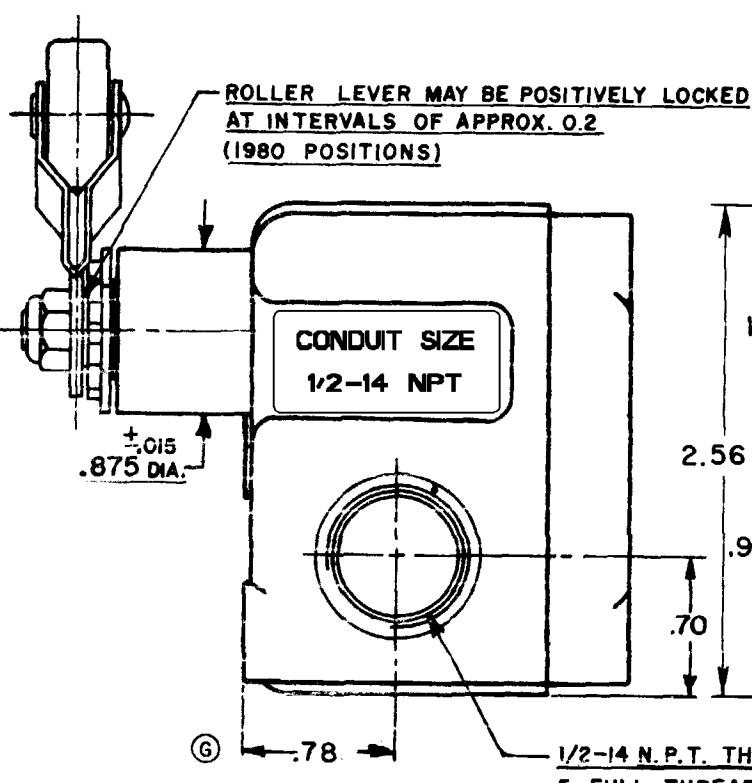
M

EXH-AR33
 DRAWING NUMBER
 ISSUE
 19
 16
 8
 REPLACES
 RELEASE NO. SR 6286
 MAR. 57
 CHECK
 CAT
 REVISIONS
 A CORR. L CO 27560
 K.F.M. DAW 8 FEB 71
 B CORR. M CO 31599
 K.F.M. D B W 22 MAY 73
 12 APR. 57
 C CO 12059 N CO 58360
 K.F.M. CSH 9 NOV 85
 9 SEPT. 57
 D CO 15608 P CO 61381
 M B F DAW 23 APR 87
 10 FEB 61
 E CO 16105 R CO 73019
 S D MAM 19 SEP 92
 16 NOV 61
 F CO 17980 T 0012750
 M B F DVM 27 APR 05
 13 AUG 63
 G CO 18787 U 0017245
 M B F KRB 28 NOV 05
 MAY 64
 H CO 18276 V 0059237
 M B W LK 03DEC09
 19 JUN 64
 I CO 19878
 M B F
 NOV 66
 J CO 26103
 D L F
 JUL 69
 DRAWN
 74-963
 K.F.M. 20 MAR 57
 CHECK
 CMH 03DEC09
 CMH 03DEC09



- Ⓒ (3) NO. 14 WIRE LEAD, POLYVINYL CHLORIDE INSULATION
- Ⓔ U/L APPROVED TYPE TW (19 STRAND)

**.750 REF. DIA. X .312 REF. WIDE ROLLER
MADE OF NON-SPARKING WEAR
RESISTANT MATERIAL**



4 X 5mm HEX DRIVE CAP SCREW,
WRENCH FURNISHED WITH PRODUCT

CHARACTERISTICS

OPERATING FORCE -- 2 1/2 LBS. MAX.

PRETRAVEL --- 3 1/2° (.065 MAX.)

DIFFERENTIAL TRAVEL --- .025 MAX.

DO NOT OVERTRAVEL MORE THAN 25°

SWITCH - BASIC REPLACEMENT-4 HS203

ELECTRICAL DATA

CONTACT ARRANGEMENT			
S.P.D.T.			
LINE VOLTAGE	INDUCTIVE LOAD	RESISTIVE LOAD	
28 VDC (SEA LEVEL-100,000 FT)	10 AMP	25 AMP	
125 VAC (SEA LEVEL-70,000 FT)	1 AMP	1 AMP	

L22 1 AMP 125 VAC

SCALE FULL

DO NOT SCALE PRINT

UNLESS OTHERWISE SPECIFIED DIMENSIONS ARE IN INCHES

TOLERANCES ARE:

ONE PLACE (.0)	±.030
TWO PLACE (.00)	±.018
THREE PLACE (.000)	±.008
ANGLES	±

WEIGHT

- NOTE-**
- 1 - (8) MOUNTING SCREW HOLES, 10-32 NF-28 THREADS X .219 REF. DEEP.
 - 2 - LEADS APPROPRIATELY MARKED FOR CIRCUIT IDENTIFICATION.
 - Ⓒ 3 - EXPLOSION PROOF - UNDERWRITERS' LAB. INC. LISTED FOR HAZARDOUS LOCATIONS NEMA 7, CLASS I, GROUPS B,C AND D, NEMA 9, CLASS II, GROUPS E, F AND G.
 - 4 - EUROPEAN HAZARDOUS LOCATIONS DESIGNATION: Ex dIIB + H2 T6 CATAGORY II 2 G
 - 5 - SEAL RATING : NEMA 1
 - Ⓐ - EXTERNAL GROUND SCREW MAY BE ASSEMBLED TO ANY UNUSED MOUNTING SCREW HOLE
 - ⚠ - ASSEMBLE PROVIDED SPLIT LOCKWASHER BETWEEN GROUND LUG AND HOUSING