

**MICRO SWITCH**  
 FREEPORT ILLINOIS U.S.A.  
 A DIVISION OF HONEYWELL  
 FED. MFG. CODE 91929

**SWITCH-ENCLOSED**

CATALOG LISTING  
**EXD-AR30-3**

EXD-AR30-3

M

DRAWING NUMBER

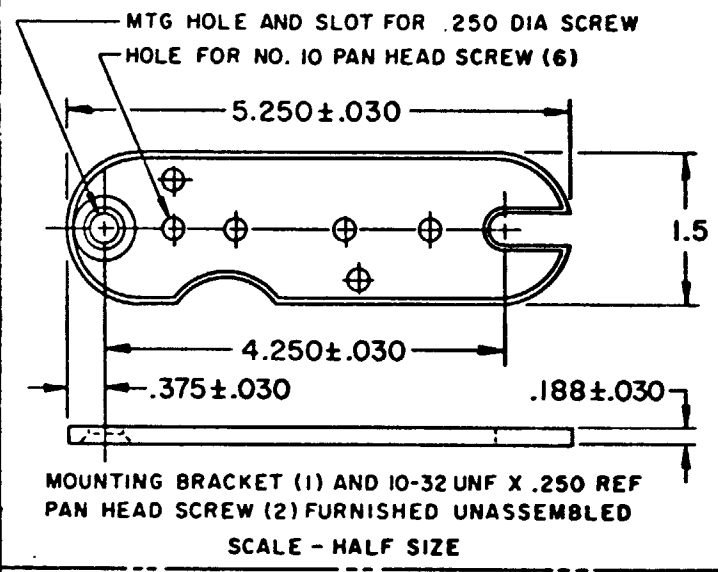
ISSUE 11

REVISIONS

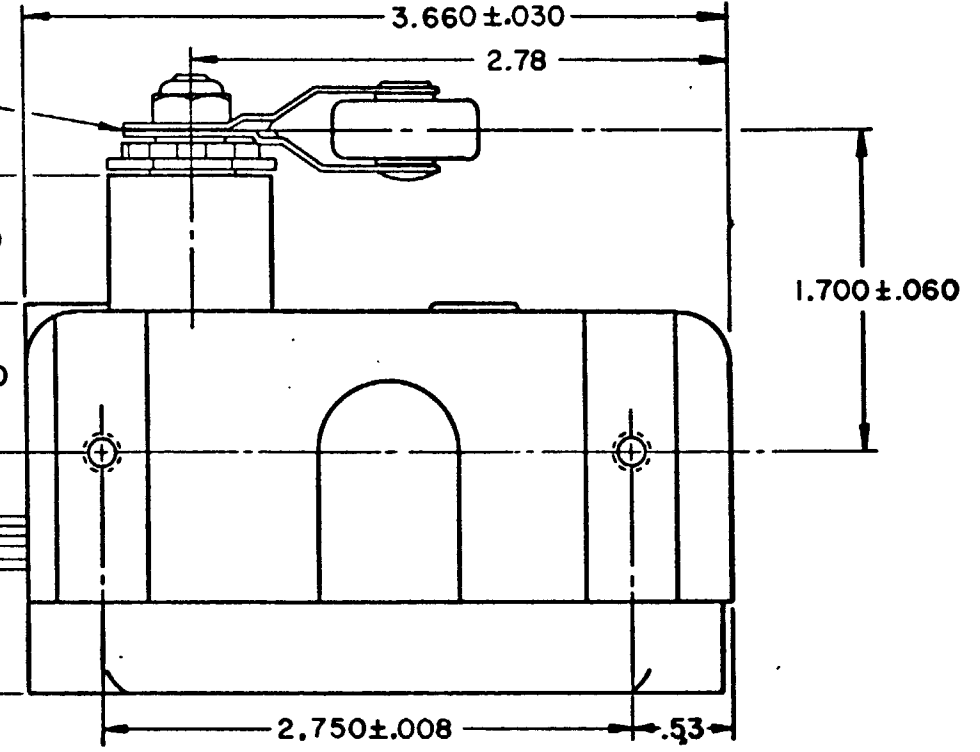
A	CO	58389	9 NOV 85
B	CO	60495	1 NOV 86
C	CO	61381	23 APR 87
D	CO	63239	22 MAR 88
E	CO	73019	19 SEP 92
F	CO	74362	10 FEB 93
G	CO	77288	19 APR 94
H	CO	12750	27 APR 05
J	CO	17245	
K	CO	070470	

FO-52851-A  
 DRAWN  
 S L B 5 JUNE 80

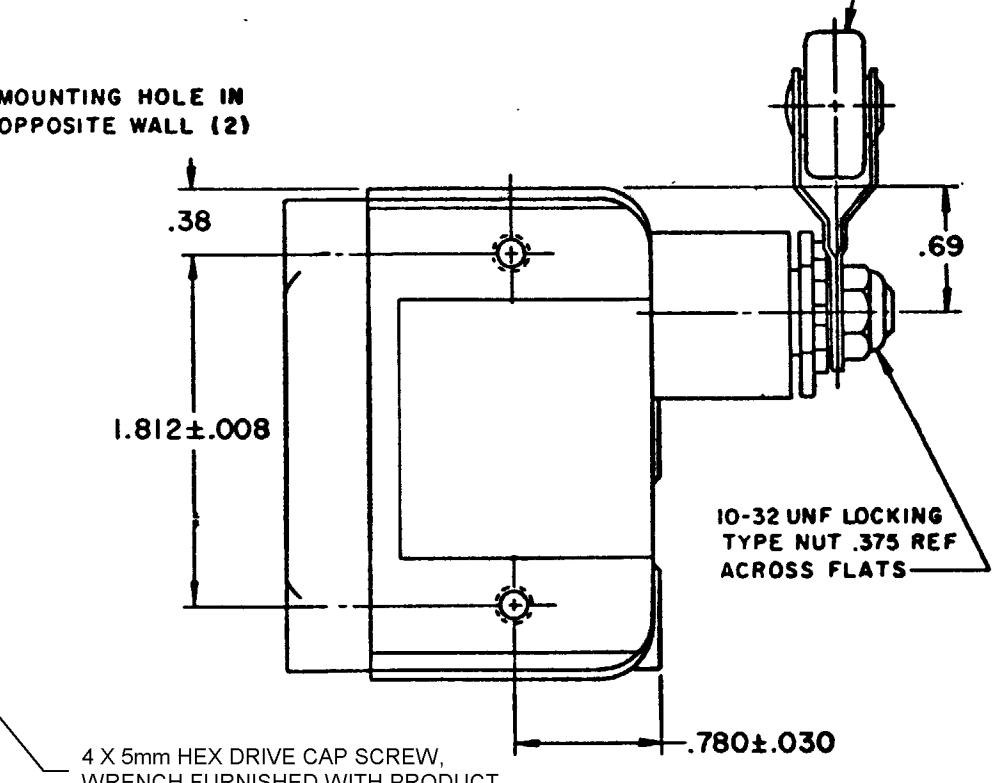
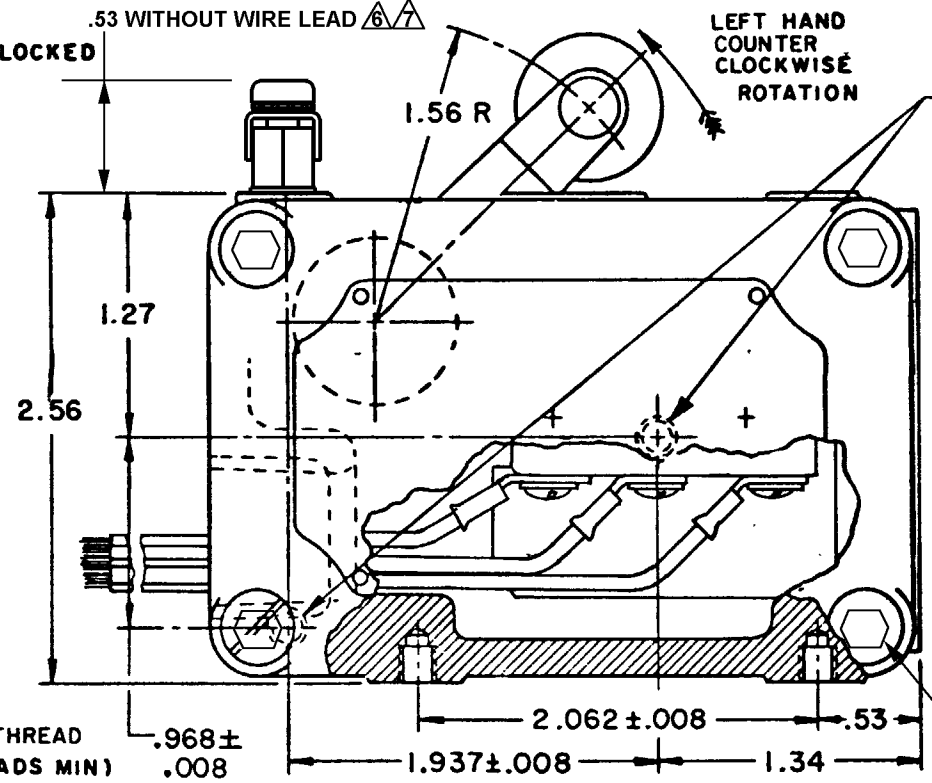
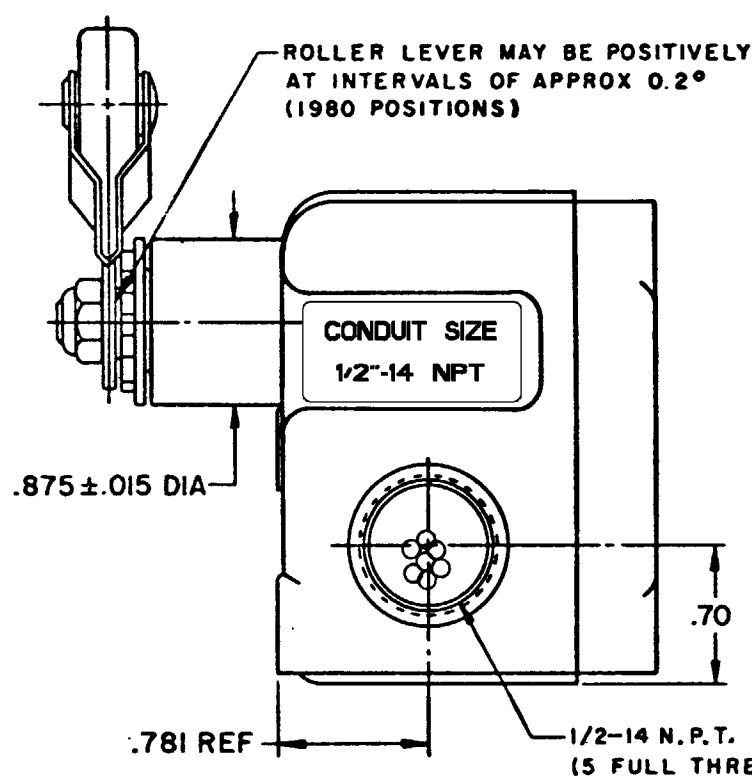
REPLACES  
 RELEASE NO. PR-8880  
 CHECK  
 CMH 14OCT10  
 AK 27APR05  
 AK 7JUN80  
 CHECK  
 CALH



ROLLER LEVER  
 ADJUSTABLE THRU  
 360°



.750 REF DIA X .312 REF WIDE  
 ROLLER MADE OF NON-SPARKING  
 WEAR RESISTANT MATERIAL



THIS DRAWING COVERS A PROPRIETARY ITEM AND IS THE PROPERTY OF MICRO SWITCH, A DIVISION OF HONEYWELL. THIS DRAWING IS NOT TO BE COPIED OR USED WITHOUT THE APPROVAL OF MICRO SWITCH.

THIRD ANGLE PROJECTION

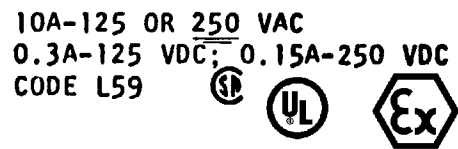
SCALE FULL

DO NOT SCALE PRINT			
TOLERANCES			
APPLY TO DESIGN UNITS - CONVERSIONS ARE ONLY FOR REFERENCE UNLESS NOTED TOLERANCES ARE ±			
DIM.	TOL.	DIM.	TOL.
NO PLACES	X	1/04	
ONE PLACE	X, X	0.4/016	X, X 0.8/08
TWO PLACES	X, XX	0.16/008	X, XX 0.32/016
THREE PLACES	X, XXX		X, XXX 0.13/006
DESIGN UNITS <input type="checkbox"/> METRIC <input checked="" type="checkbox"/> US CUSTOMARY			
RAW MATERIAL - COMMERCIAL STANDARD			
MICRO SWITCH STANDARDS APPLY			
DIMENSIONS ARE TO BE MET BEFORE PROTECTIVE COATINGS ARE APPLIED			
WEIGHT			

NOTES

- (8) MOUNTING SCREW HOLES, 10-32 UNF-2B THREADS X .219 REF
- EXPLOSION PROOF - UNDERWRITERS' LAB. INC. LISTED FOR HAZARDOUS LOCATIONS NEMA 7, CLASS I, GROUPS B, C AND D, NEMA 9, CLASS II, GROUPS E, F AND G.
- COMMON LEADS - BLACK, NC LEADS - RED, NO LEADS - BLUE, GROUND LEAD - GREEN
- EUROPEAN HAZARDOUS LOCATIONS DESIGNATION: Ex d IIB + H2 T6 CATAGORY II 2 G
- SEAL RATING : NEMA 1
- EXTERNAL GROUND SCREW MAY BE ASSEMBLED TO ANY UNUSED MOUNTING SCREW HOLE
- ASSEMBLE PROVIDED SPLIT LOCKWASHER BETWEEN GROUND LUG AND HOUSING

CHARACTERISTICS	ELECTRICAL DATA
OPERATING FORCE --- 2 3/4 LB MAX	CONTACT ARRANGEMENT D P D T
PRETRAVEL --- .219 MAX (8°)	10A-125 OR 250 VAC
DIFFERENTIAL TRAVEL --- .109 MAX (4°)	0.3A-125 VDC; 0.15A-250 VDC
OVERTRAVEL --- DO NOT OVERTRAVEL MORE THAN 25°	CODE L59
BASIC SWITCH REPLACEMENT --- DT-2R711-A7	



RASTER