

MICRO SWITCH

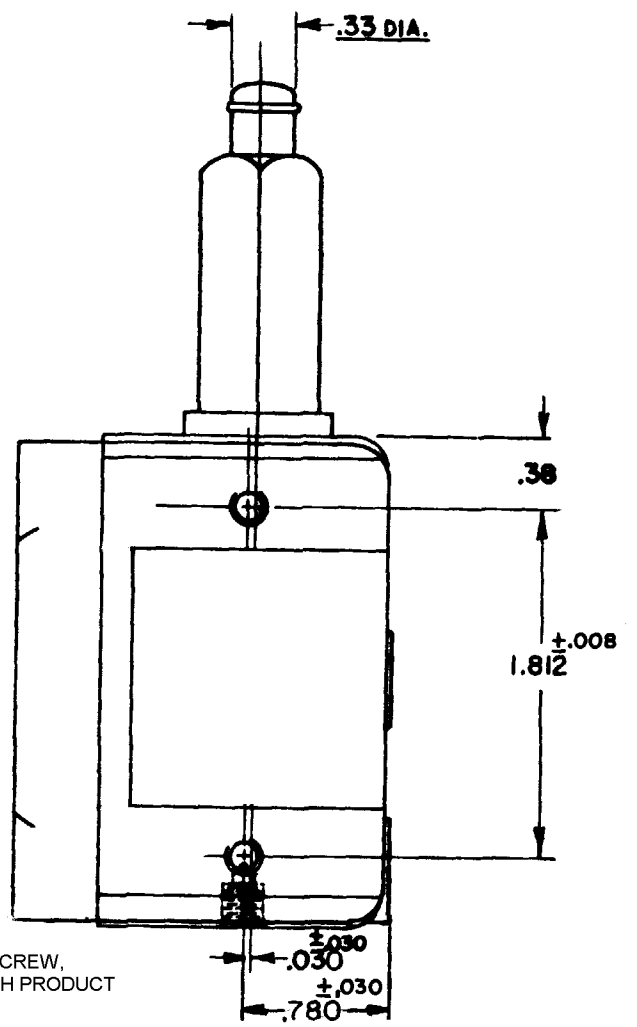
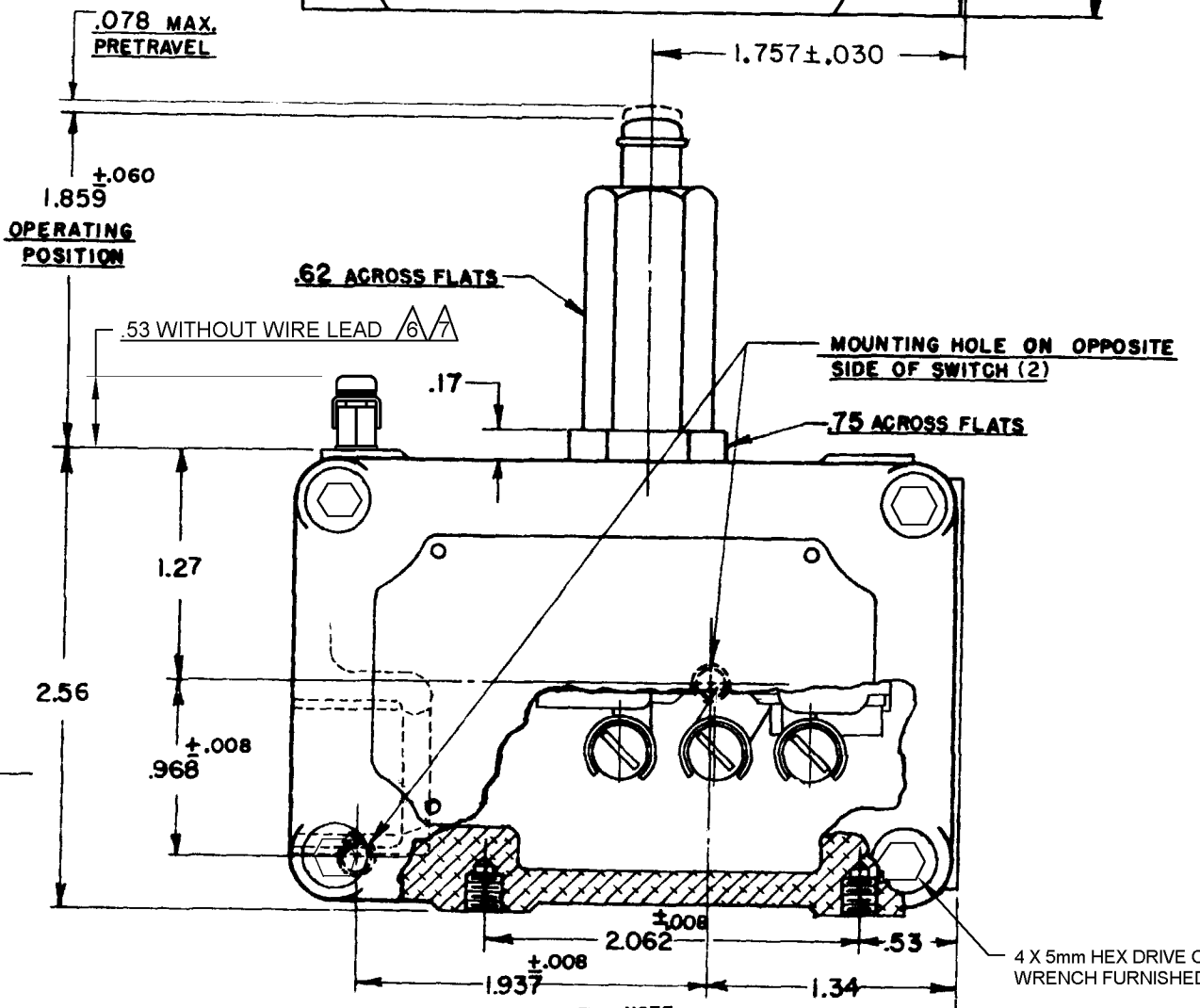
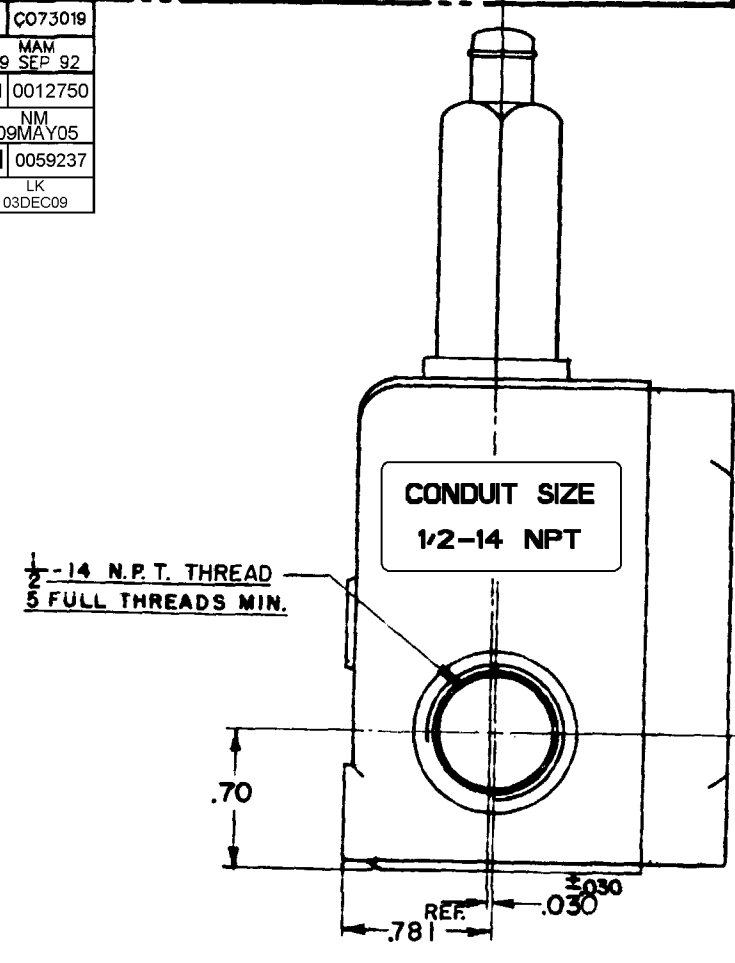
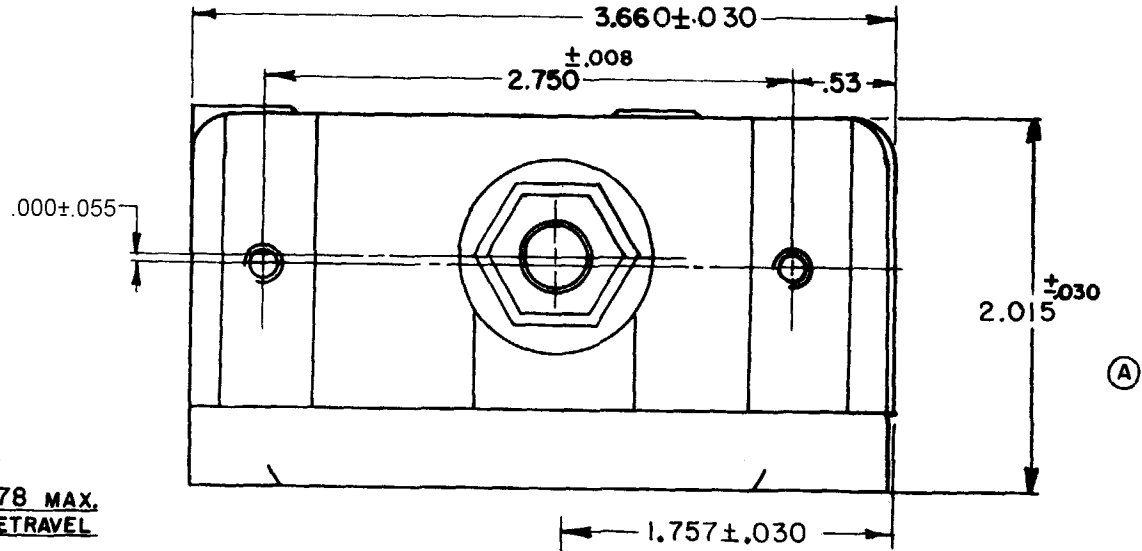
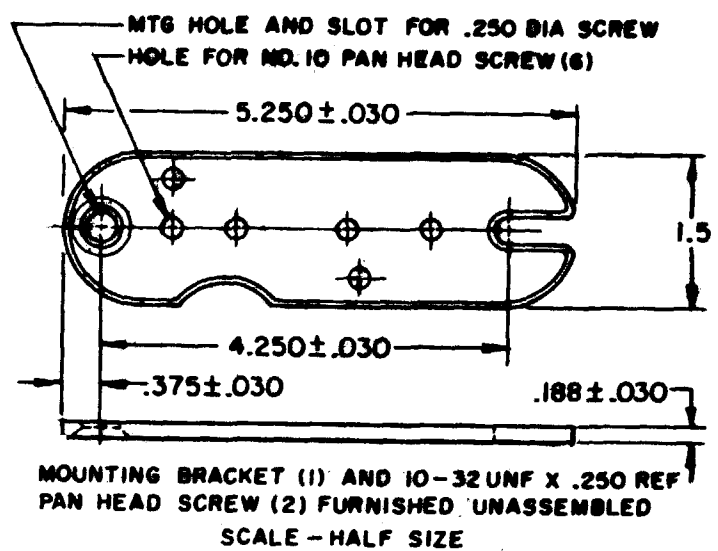
A DIVISION OF MINNEAPOLIS-HONEYWELL REGULATOR COMPANY
 ST. LOUIS, MISSOURI
 FED. MFR. CODE 91929

SWITCH - ENCLOSED

CATALOG LISTING
EX-Q800

M

DRAWING NUMBER
EX-Q800
 ISSUE
 14
 REVISIONS
 A CORR 25 MAY 60
 B CO18276 RJW 18 JUNE 64
 C CO19878 MBF 26 OCT 66
 D SR12878 MBF 6 JUNE 67
 E CO26103 DLF 18 JUL 69
 F CO31559 DBW 22 MAY 73
 G CO53779A SLB 29 AUG 83
 H CO58360 CSH 9 NOV 85
 J CO61381 DAW 22 APR 87
 K CO707159 TSM 10 OCT 91
 R.E.R. 24 OCT 58 CHECK
 CMH 03DEC09 CHECK
 RE J. 27 OCT 58
 RELEASE NO. SR12878 REPLACES
 74-863 DRAWN



CHARACTERISTICS	
OPERATING FORCE	3 LBS MAX
RELEASE FORCE	3/4 LB MIN
DIFFERENTIAL TRAVEL	.004 MAX
OVERTRAVEL	.188 MIN
SWITCH - BASIC REPLACEMENT - BZ-2R-P4	

ELECTRICAL DATA	
CONTACT ARRANGEMENT S P D T	
-L96-	15 A - 125, 250, OR 480 VAC
	1/2 A - 125 VDC; 1/4 A - 250 VDC
	1/8 HP - 125 VAC; 1/4 HP - 250 VAC

SCALE FULL	
DO NOT SCALE PRINT	
UNLESS OTHERWISE SPECIFIED	
DIMENSIONS ARE IN INCHES	
TOLERANCES ARE:	
ONE PLACE (.0)	±.030
TWO PLACE (.00)	±.015
THREE PLACE (.000)	±.008
ANGLES	
WEIGHT	

NOTE -

- EXPLOSION PROOF - UNDERWRITER'S LAB. INC. LISTING FOR HAZARDOUS LOCATIONS NEMA 7, CLASS I, GROUPS B, C AND D, NEMA 9, CLASS II, GROUPS E, F AND G.
- (8) MOUNTING SCREW HOLE, 10-32 NF-2B THREAD X .219" DEEP.
- 3-8-32 NC X .219" TERMINAL SCREWS AND CUP WASHERS.
- EUROPEAN HAZARDOUS LOCATIONS DESIGNATION: Ex d IIB + H2 T6 CATEGORY II 2 G
- SEAL RATING: NEMA 1

⚠️ EXTERNAL GROUND SCREW MAY BE ASSEMBLED TO ANY UNUSED MOUNTING SCREW HOLE
 ⚠️ ASSEMBLE PROVIDED SPLIT LOCKWASHER BETWEEN GROUND LUG AND HOUSING

THIS DRAWING COVERS A PROPRIETARY ITEM AND IS THE PROPERTY OF MICRO SWITCH, A DIVISION OF MINNEAPOLIS-HONEYWELL REGULATOR CO. THIS DRAWING IS NOT TO BE COPIED OR USED WITHOUT THE APPROVAL OF MICRO SWITCH.