

**MICRO SWITCH**

A DIVISION OF MINNEAPOLIS-HONEYWELL REGULATOR COMPANY  
PULFORD, ILLINOIS

FED. MFR. CODE 91929

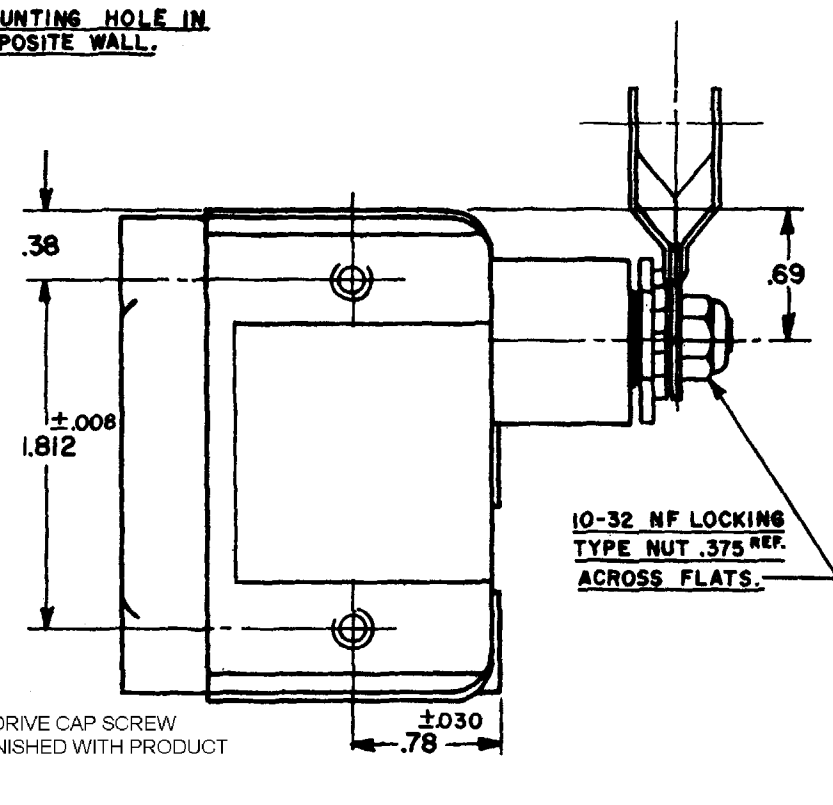
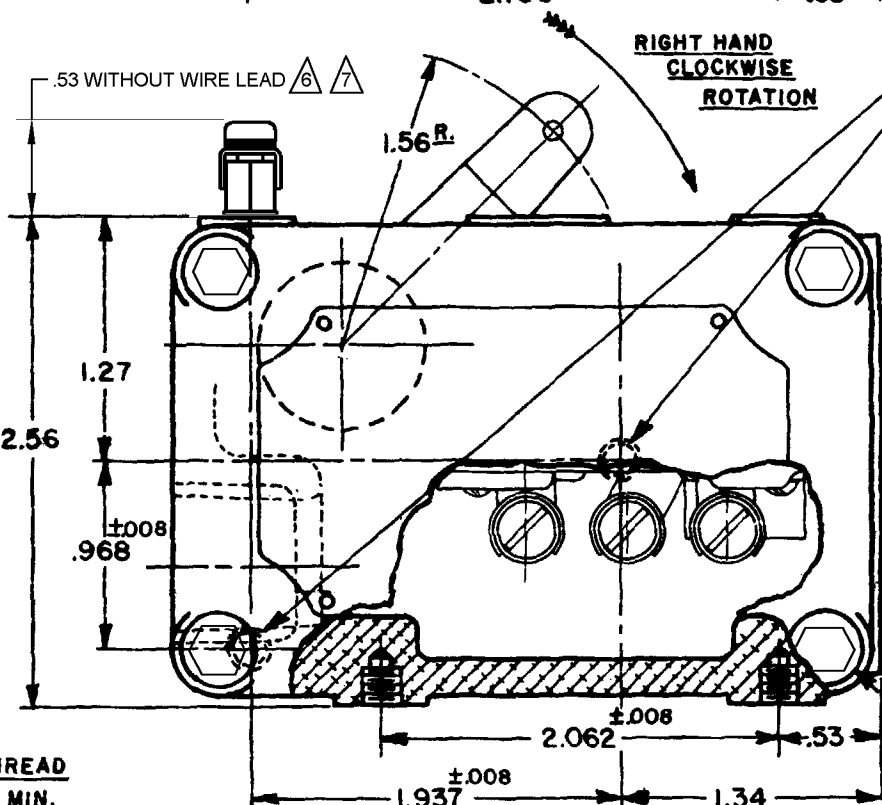
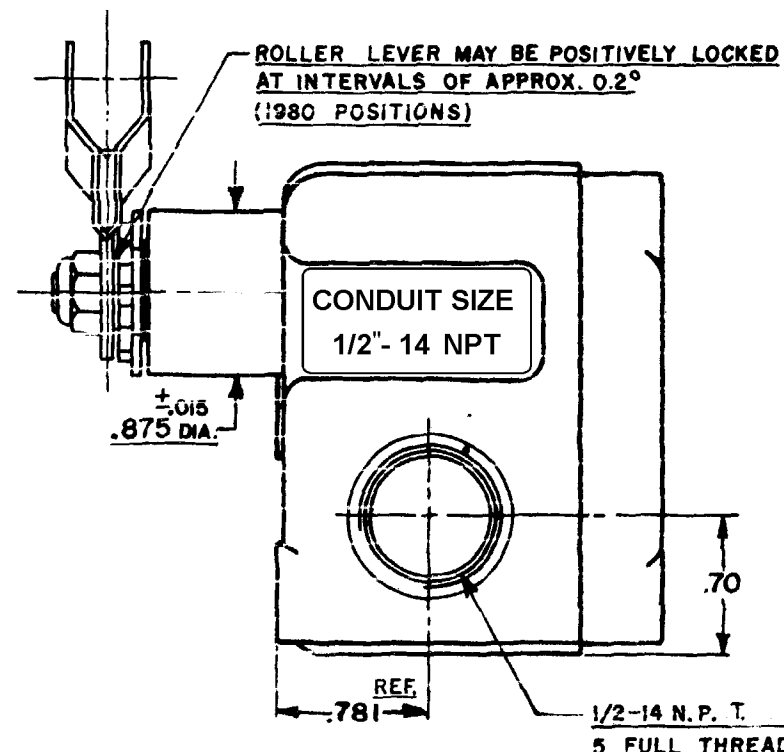
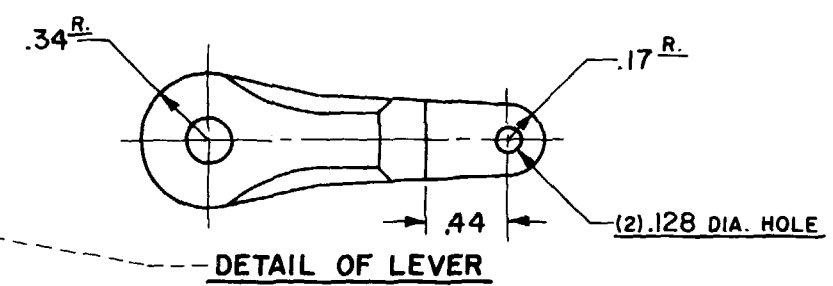
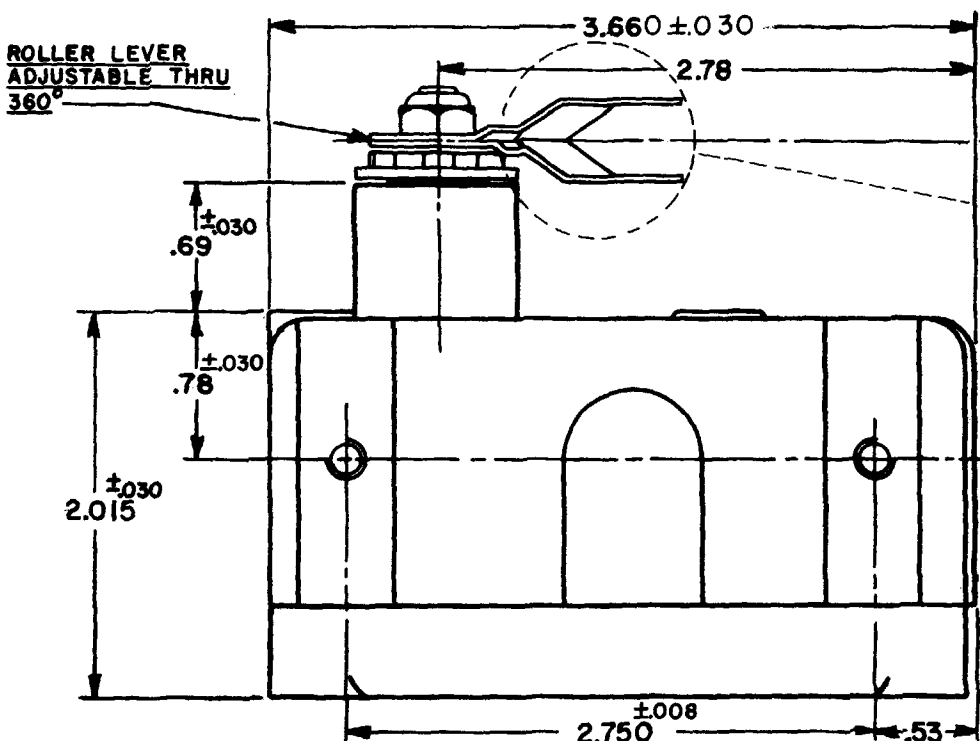
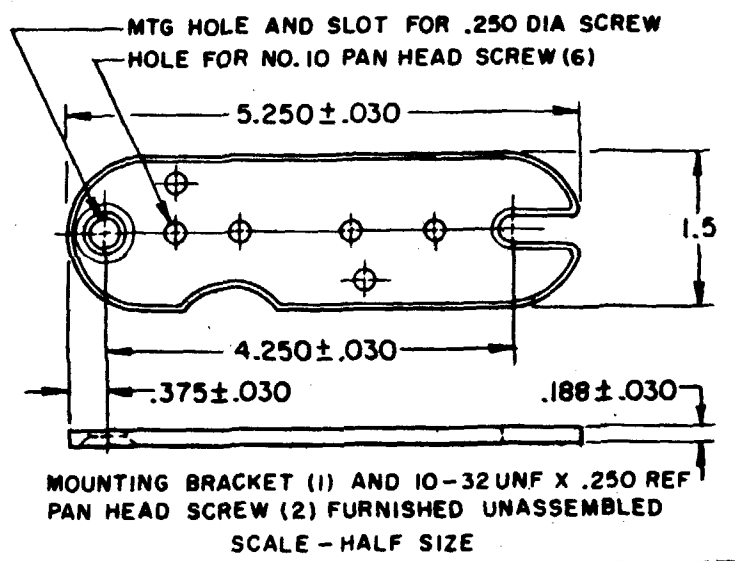
**SWITCH-ENCLOSED**

CATALOG LISTING  
**EX-AR68**

THIS DRAWING COVERS A PROPRIETARY ITEM AND IS THE PROPERTY OF MICRO SWITCH, A DIVISION OF HONEYWELL. THIS DRAWING IS NOT TO BE COPIED OR USED WITHOUT THE APPROVAL OF MICRO SWITCH.

M

EX-AR68  
DRAWING NUMBER  
M  
ISSUE  
27AUG10  
RELEASE NO. S.R. 5026  
REPLACES  
CMH  
CHECK  
REVISIONS  
A C.O. 11034  
K. A. F.  
28 DEC 56  
B CO 15608  
M B F  
9 FEB 61  
C CO 17653  
H B W  
22 FEB 64  
CO 18276  
RES  
7 JUNE 64  
CO 19878  
W E G  
7 OCT 66  
CO 26103  
D L F  
8 JUL 69  
CO 31559  
B L H  
JUN 73  
CO 58360  
C S H  
NOV 85  
CO 61381  
D A W  
APR 87  
707158  
T S M  
OCT 91  
D.A.W. 26 JAN '56  
DRAWN  
74-243



CHARACTERISTICS	
OPERATING FORCE	8-20 OZ.
RELEASE FORCE	4 OZ. MIN.
PRETRAVEL	.219 MAX. (8°)
DIFFERENTIAL TRAVEL	.007 MAX. (14°)
OVERTRAVEL	DO NOT OVERTRAVEL MORE THAN 90°.
SWITCH-BASIC REPLACEMENT	BZ-2R-P4

ELECTRICAL DATA	
CONTACT ARRANGEMENT	S.P.D.T.
BREAK DISTANCE	.020 MIN.
UL	UL
Ex	Ex
-L96- 15 A-125, 250, OR 480 VAC 1/2 A-125 VDC; 1/4 A-250 VDC 1/8 HP-125 VAC; 1/4 HP-250 VAC	

SCALE----- FULL	
DO NOT SCALE PRINT	
UNLESS OTHERWISE SPECIFIED DIMENSIONS ARE IN INCHES	
TOLERANCES ARE:	
ONE PLACE	(.0) ±.030
TWO PLACE	(.00) ±.018
THREE PLACE	(.000) ±.008
ANGLES	±
WEIGHT	

**NOTE-**

- 1-(8) MOUNTING SCREW HOLES, 10-32 NF-2B THREADS X .219 REF. DEEP.
- 2-8-32 NC X .219 REF. TERMINAL SCREWS AND CUP WASHERS.
- 3-EXPLOSION PROOF-UNDERWRITERS LAB. INC. LISTED FOR HAZARDOUS LOCATIONS NEMA 7, CLASS I GROUPS C AND D, NEMA 9, CLASS II GROUPS E, F AND G.
- 4-EUROPEAN HAZARDOUS LOCATIONS DESIGNATION: Ex d IIB + H2 T6 CATAGORY II 2 G
- 5-SEAL RATING: NEMA 1

△ EXTERNAL GROUND SCREW MAY BE ASSEMBLED TO ANY UNUSED MOUNTING SCREW HOLE

▽ ASSEMBLE PROVIDED SPLIT LOCKWASHER BETWEEN GROUND LUG AND HOUSING