

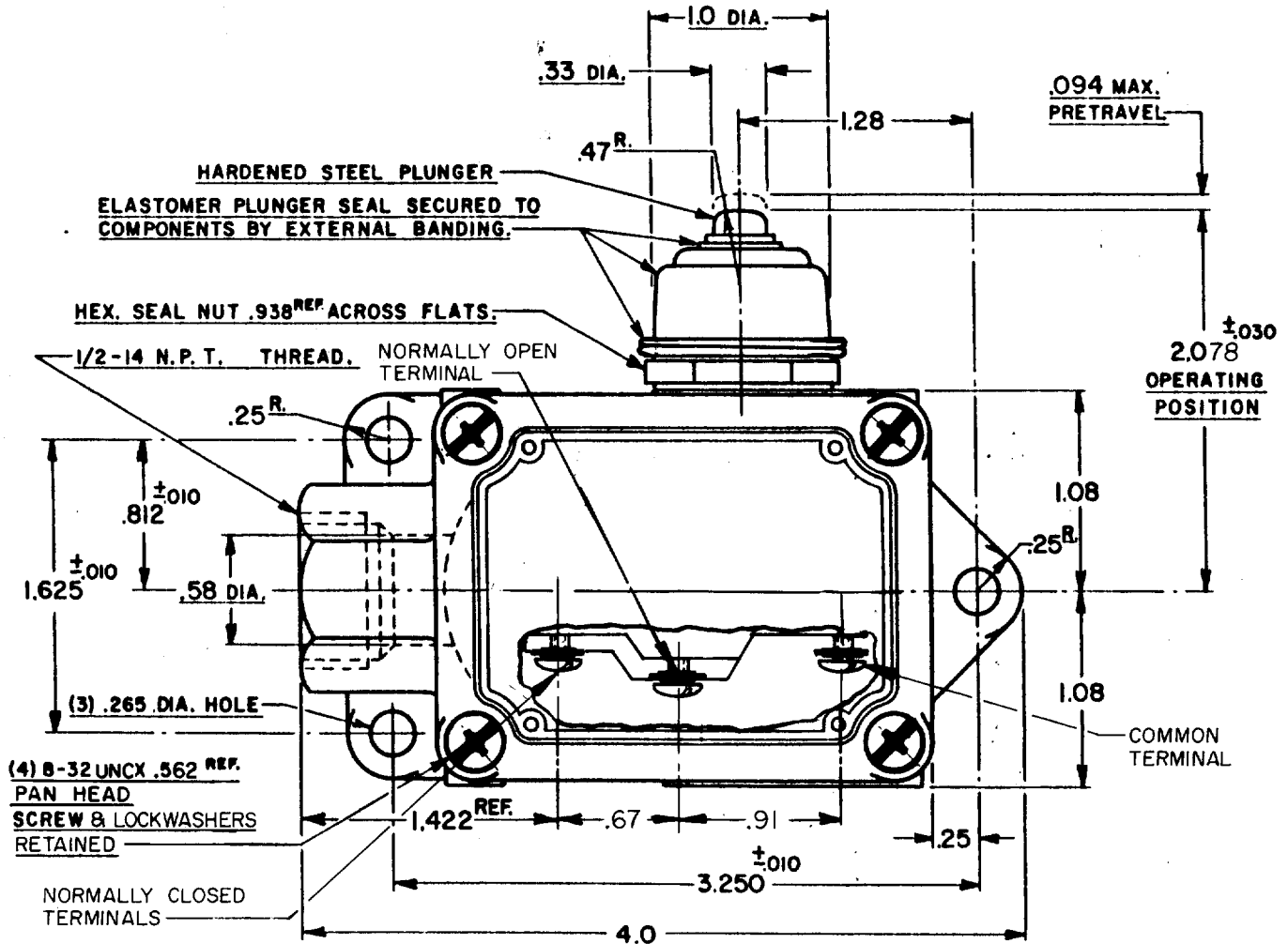
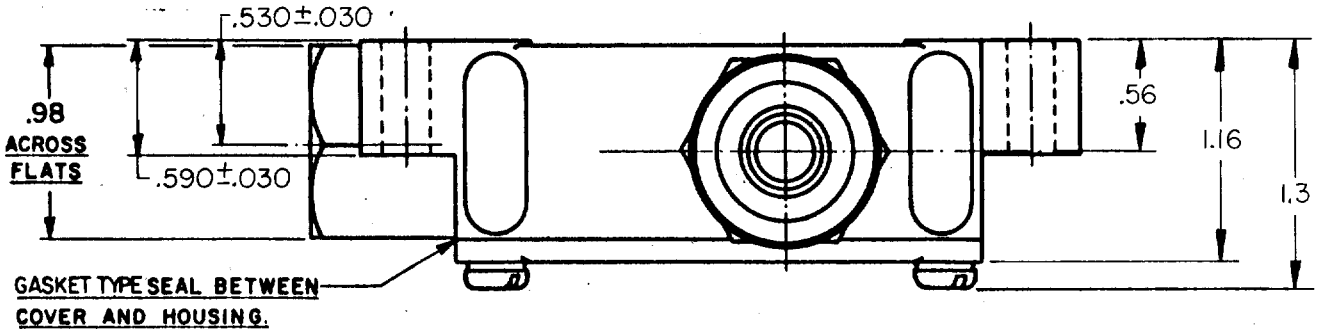
MICRO SWITCH

A DIVISION OF AMHECA/PLIS-HONEYWELL REGULATOR COMPANY
 FREEPORT, MASSACHUSETTS

FED. MFR. CODE 91929

SWITCH-ENCLOSED

CATALOG LISTING
BZF2-3YN-RH



NOTE-
 1-6-32 NC X .219 REF. BINDER HEAD TERMINAL SCREWS AND LOCKWASHERS

THIS DRAWING COVERS A PROPRIETARY ITEM AND IS THE PROPERTY OF MICRO SWITCH, A DIVISION OF HONEYWELL. THIS DRAWING IS NOT TO BE COPIED OR USED WITHOUT THE APPROVAL OF MICRO SWITCH.

CHARACTERISTICS	
OPERATING FORCE-----	3 LBS. MAX.
RELEASE FORCE-----	1/2 LB. MIN
DIFFERENTIAL TRAVEL-----	.005 MAX.
OVERTRAVEL-----	.219 MIN.
BASIC SWITCH REPLACEMENT -- BZ-3YT	

ELECTRICAL DATA	
CONTACT ARRANGEMENT	BREAK DISTANCE
S.P.D.T.	

SCALE FULL	
DO NOT SCALE PRINT	
UNLESS OTHERWISE SPECIFIED DIMENSIONS ARE IN INCHES	
TOLERANCES ARE:	
ONE PLACE (.0)	±.030
TWO PLACE (.00)	±.015
THREE PLACE (.000)	±.008
ANGLES	±
WEIGHT	

BZF2-3YN-RH
M
 DRAWING NUMBER
 ISSUE 1011
 REVISIONS
 A C064181 TSK 28 SEPT 88
 B C071134 TSM 27 SEP 91
 C 0072788 G J W 12 SEP 92
 D CO-77179-C J J O 12 MAR 94.
 CHECK D J S 11 OCT 88
 CHECK D J S 11 OCT 88
 CHECK D J S 11 OCT 88
 DRAWN TSK 28 SEP 88
 74-96