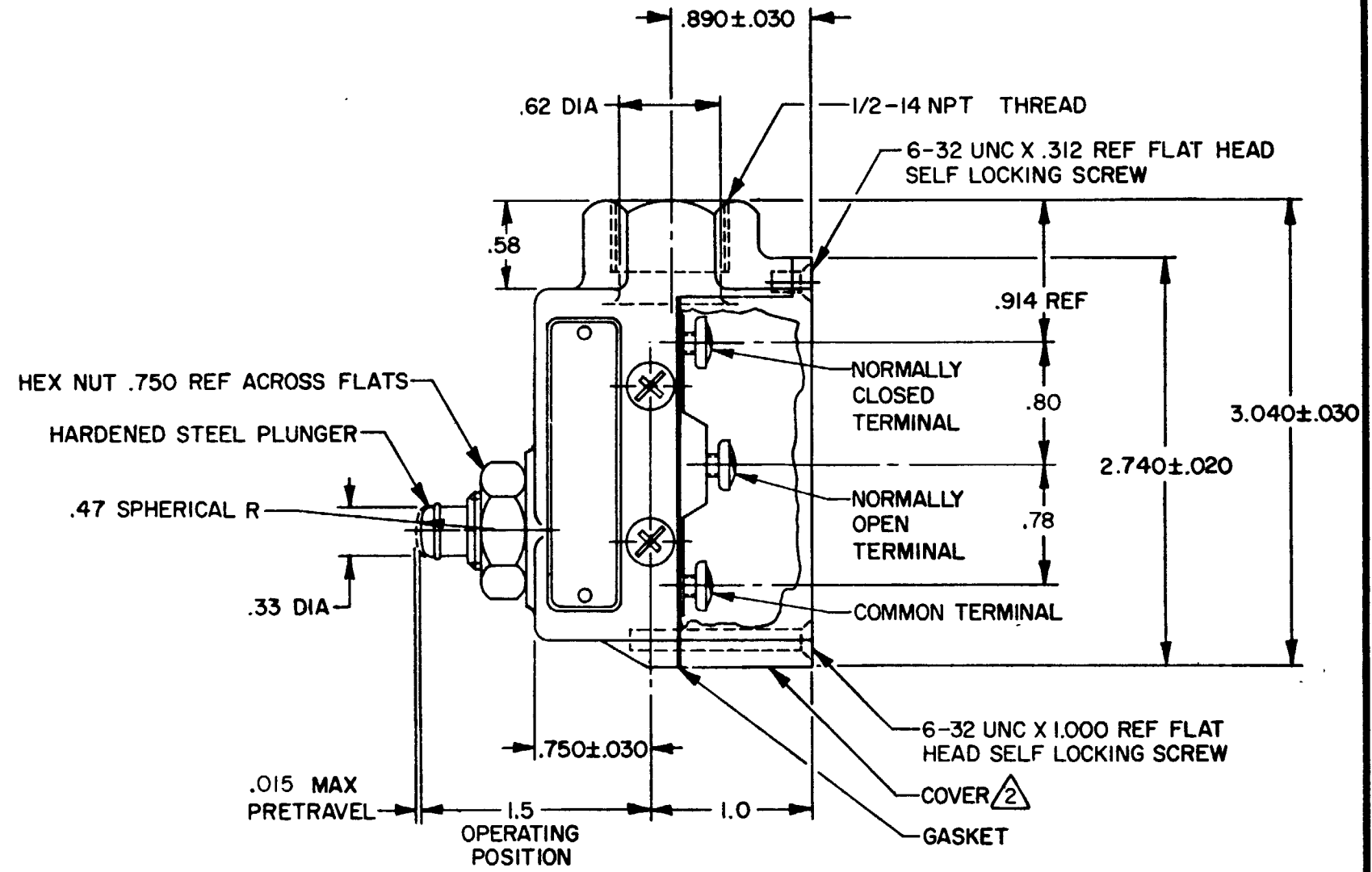
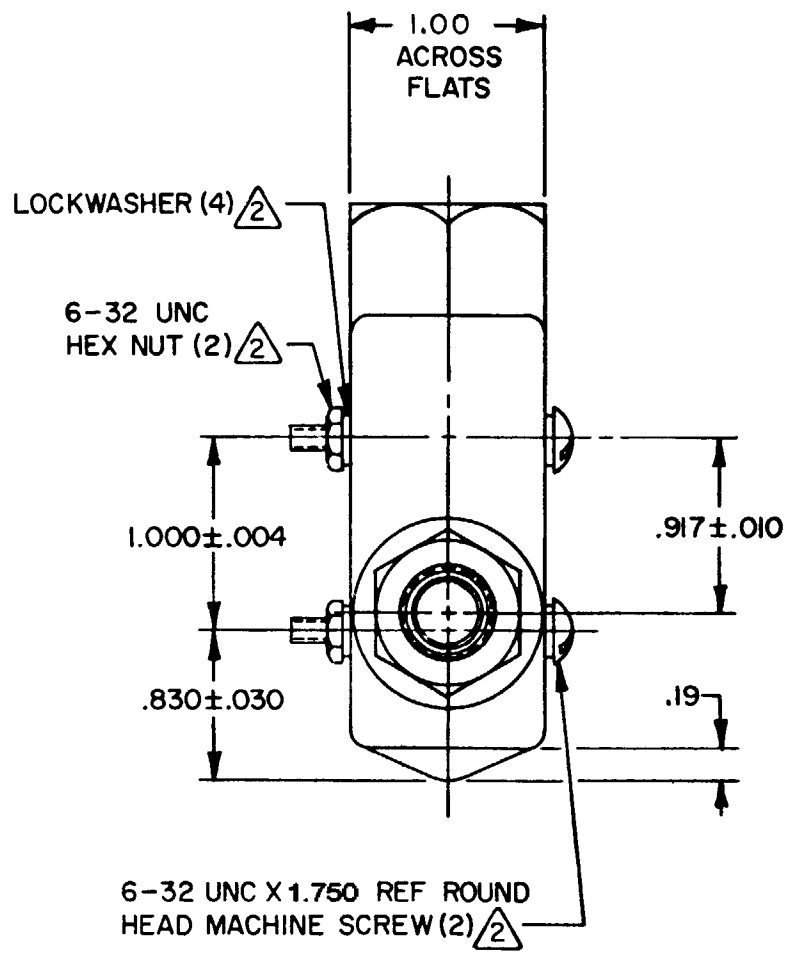


MICRO SWITCH
 FREEPORT, ILLINOIS, U.S.A.
 A DIVISION OF HONEYWELL
 FED. MFG. CODE 91929

SWITCH-ENCLOSED

CATALOG LISTING
BZE6-2RQ5

M BZE6-2RQ5
 DRAWING NUMBER
 29AUG07
 PSR
 29AUG07
 CHECK
 29AUG07
 K P K
 29AUG07
 CHECK
 29AUG07
 RASTER
 FO-5285 1-A
 DRAWN



NOTES-

- 1 - 6-32 UNC X .219 REF BINDING HEAD TERMINAL SCREW AND CUPWASHER (3)
- \triangle FURNISHED UNASSEMBLED
- 3 - SWITCH WILL WITHSTAND TEMPERATURE OF 250° F
- 4 - SEAL RATING: NEMA1 IP40

THIS DRAWING COVERS A PROPRIETARY ITEM AND IS THE PROPERTY OF MICRO SWITCH, A DIVISION OF HONEYWELL. THIS DRAWING IS NOT TO BE COPIED OR USED WITHOUT THE APPROVAL OF MICRO SWITCH.

CHARACTERISTICS	ELECTRICAL DATA	SCALE FULL
OPERATING FORCE ----- 9-13 OZ	CONTACT ARRANGEMENT S P D T	DO NOT SCALE PRINT
RELEASE FORCE ----- 4 OZ MIN	15A-125, 250 OR 480 VAC, 2A-600 VAC 1/8 HP-125 VAC; 1/4 HP-250 VAC	UNLESS OTHERWISE NOTED DIMENSIONS ARE IN INCHES
DIFFERENTIAL TRAVEL ----- .002 MAX	1/2A-125 VDC; 1/4A-250 VDC	TOLERANCES ARE:
OVERTRAVEL ----- .219 MIN	CODE L74	ONE PLACE (.0) \pm .030
BASIC SWITCH REPLACEMENT -- BZ-2RQ724	1.5A, 240 Vac	TWO PLACE (.00) \pm .015
		THREE PLACE (.000) \pm .005
		ANGLES \pm .005
		WEIGHT .53 LB