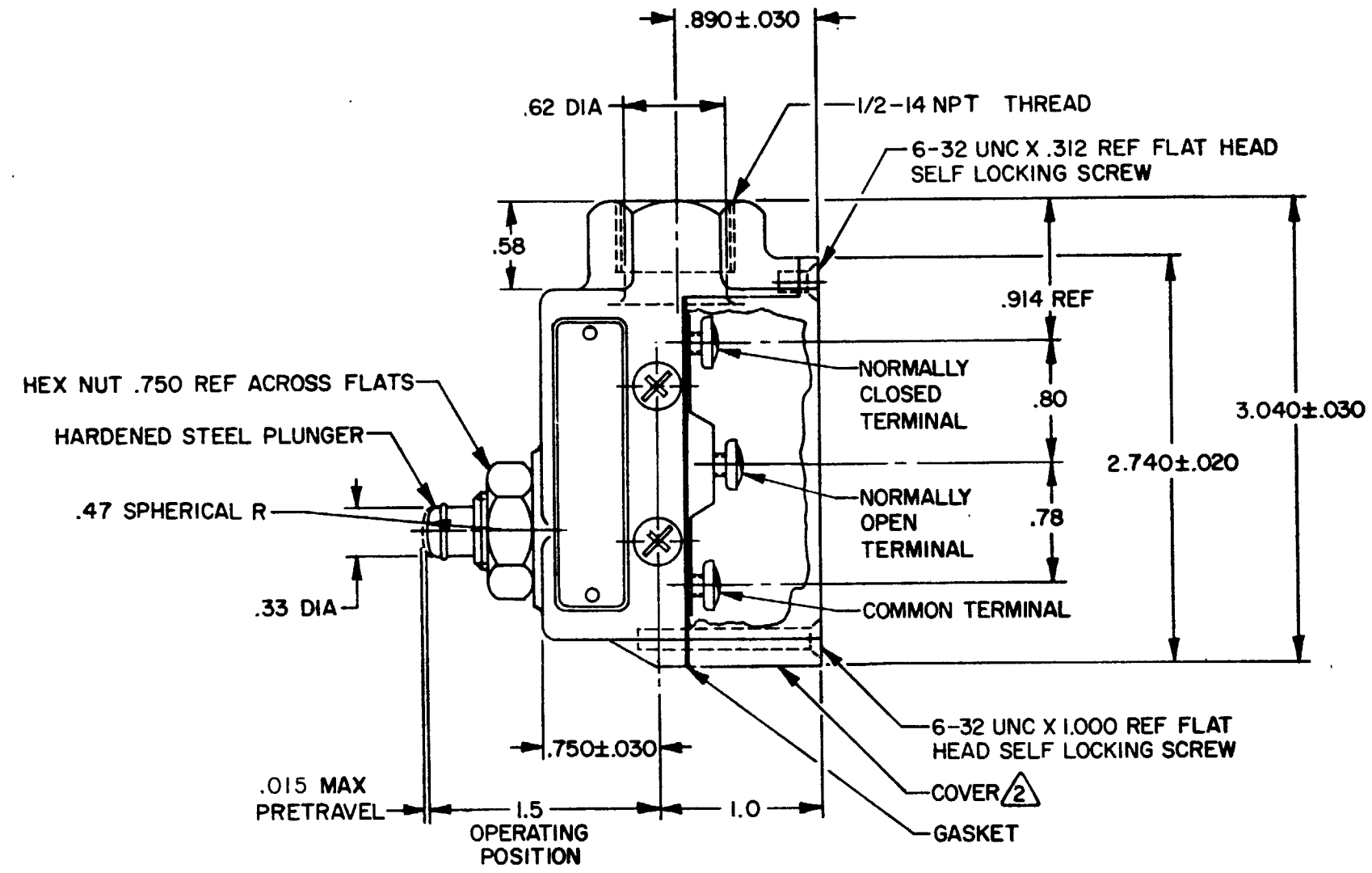
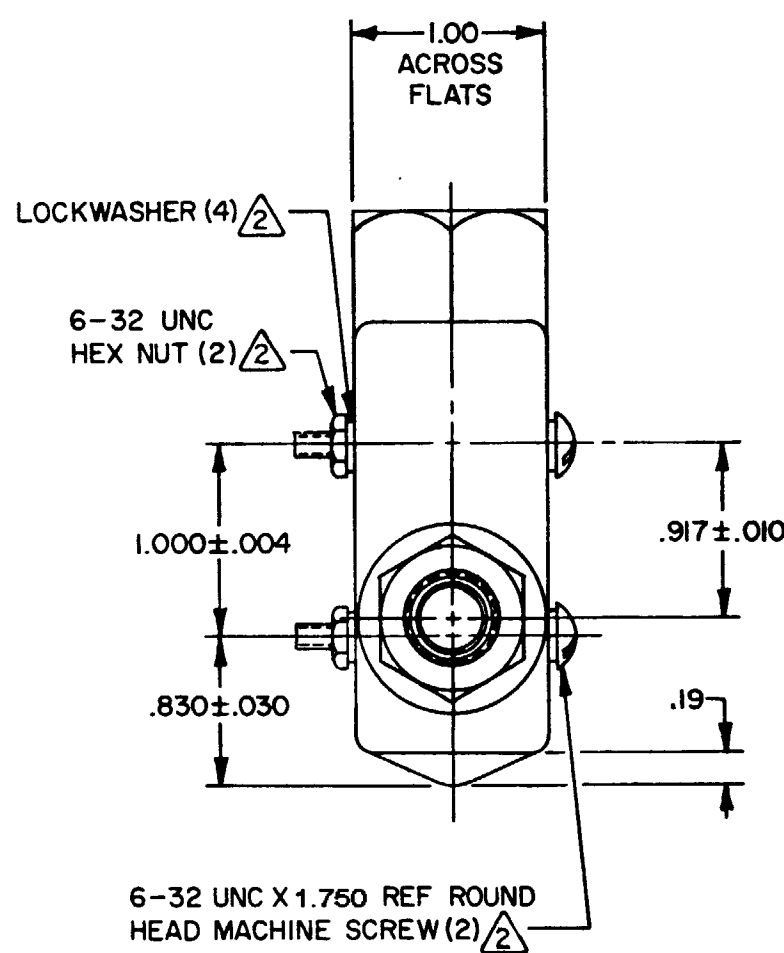


MICRO SWITCH
 FREEPORT ILLINOIS U.S.A.
 A DIVISION OF HONEYWELL
 FED. MFG. CODE 91929

SWITCH-ENCLOSED

BZE6 - 2RQ168

DRAWING NUMBER: BZE6-2RQ168
 ISSUE: 8
 CHECK: PSR
 DATE: 29AUG07
 REVISIONS:
 A CO50939 19 FEB 82
 B CO53191-G 2 MAY 84
 C CO55989 8 NOV 84
 D CO54958 12 MAR 85
 E CO72618 11 SEP 92
 F 0016894 10 NOV 05
 G 0033014 29AUG07
 DRAWN: RASTER
 CHECK: CEB
 DATE: 21 OCT 81
 RELEASE NO. PR-10631
 REPLACES: X73734-BZE6



NOTES -

- 1 - 6-32 UNC X .219 REF BINDING HEAD TERMINAL SCREW AND CUPWASHER (3)
- 2 - FURNISHED UNASSEMBLED
- 3 - SEAL RATING: NEMA1 IP40

THIS DRAWING COVERS A PROPRIETARY ITEM AND IS THE PROPERTY OF MICRO SWITCH A DIVISION OF HONEYWELL THIS DRAWING IS NOT TO BE COPIED OR USED WITHOUT THE APPROVAL OF MICRO SWITCH.

CHARACTERISTICS	
OPERATING FORCE	22-35 OZ
RELEASE FORCE	10 OZ MIN
DIFFERENTIAL TRAVEL	.002 MAX
OVERTRAVEL	.219 MIN
BASIC SWITCH REPLACEMENT-BZ-2RQ7066	

ELECTRICAL DATA	
CONTACT ARRANGEMENT S P D T	
15A-125, 250 OR 480 VAC, 2A-600 VAC	
1/8 HP-125 VAC; 1/4 HP-250 VAC	
1/2A-125 VDC; 1/4A-250 VDC	
CODE L74	
CE	1.5A, 240 Vac

SCALE FULL	
DO NOT SCALE PRINT	
TOLERANCES APPLY TO DESIGN UNITS. CONVERSIONS ARE ONLY FOR REFERENCE UNLESS NOTED. TOLERANCES ARE:	
NO PLACES	1/04
ONE PLACE	0.4/0.18
TWO PLACES	0.16/0.08
THREE PLACES	0.13/0.05
ANGLES	
DESIGN UNITS	SI METRIC <input type="checkbox"/> US CUSTOMARY <input checked="" type="checkbox"/>
THIRD ANGLE PROJECTION	
WEIGHT .53 LB	