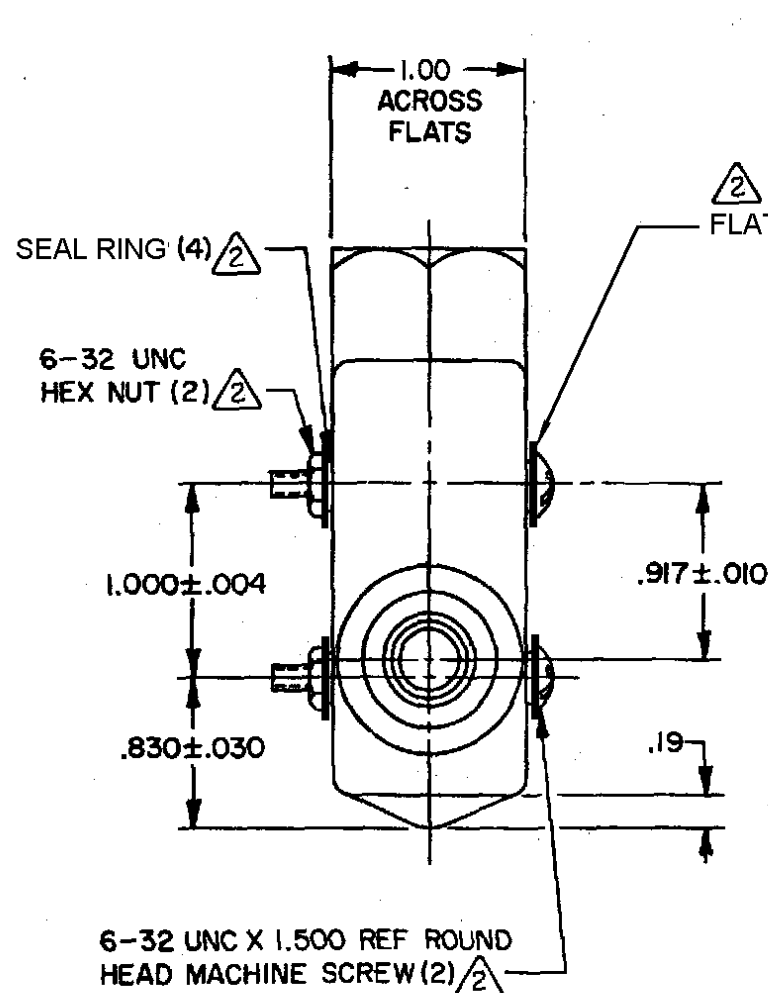


MICRO SWITCH
 FREEPORT, ILLINOIS, U.S.A.
 A DIVISION OF HONEYWELL
 FED. MFG. CODE 91829

SWITCH-ENCLOSED

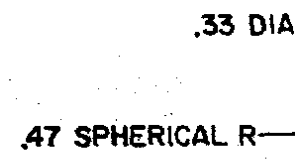
CATALOG LISTING
BZE6-2RN39

BZE6-2RN39
 DRAWING NUMBER
 ISSUE 11
 REVISIONS
 A CO-38200 S.L.B. 24 AUG 77
 B C053191 K.J.S. 16 AUG 84
 C C055989 J.A.P. 8 NOV 84
 D C0-54958 KAG 27 AUG 85
 E C060958 T.S.K. 21 JAN 87
 F C072476 MAM 4 SEP 92
 G CO-77368 G.L.H. 16 AUG 94
 H 0017057 VKR 22 NOV 05
 K P K 25 AUG 77
 L 24 AUG 77
 FO-5285 1-A
 DRAWN
 SLB

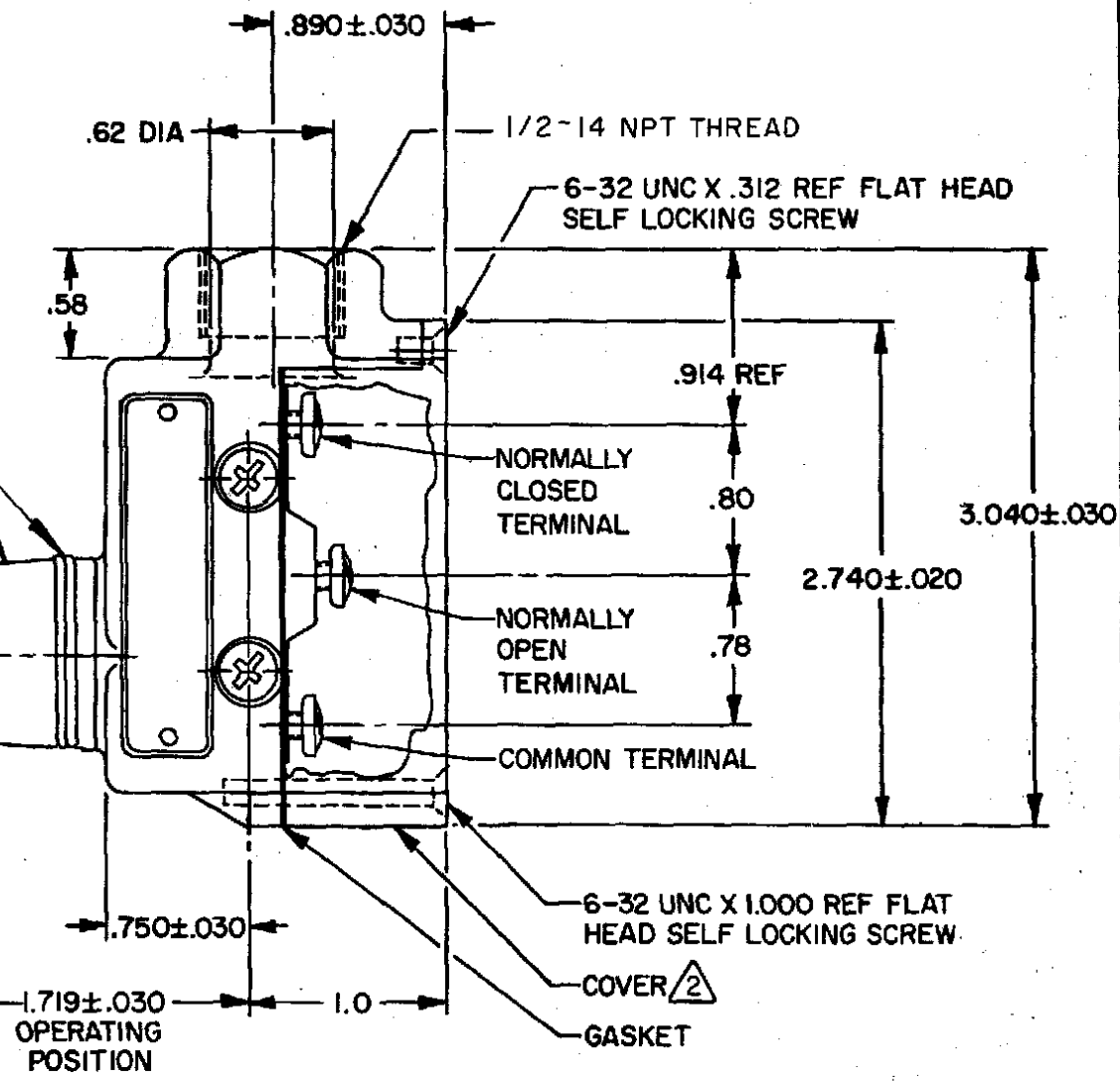


ELASTOMER PLUNGER SEAL SECURED TO COMPONENTS BY EXTERNAL BANDING

HARDENED STEEL PLUNGER



.078 MAX PRETRAVEL



NOTES-

- 1 - 6-32 UNC X .219 REF BINDING HEAD TERMINAL SCREW AND CUPWASHER (3)
- Δ 2 - FURNISHED UNASSEMBLED
- 3 - SEAL RATING: NEMA 1,3 IP54

THIS DRAWING COVERS A PROPRIETARY ITEM AND IS THE PROPERTY OF MICRO SWITCH, A DIVISION OF HONEYWELL. THIS DRAWING IS NOT TO BE COPIED OR USED WITHOUT THE APPROVAL OF MICRO SWITCH.

CHARACTERISTICS	ELECTRICAL DATA	SCALE FULL
OPERATING FORCE-----9-24 OZ	CONTACT ARRANGEMENT S P D T	DO NOT SCALE PRINT
RELEASE FORCE-----4 OZ MIN	15A-125, 250 OR 480 VAC, 2A-600 VAC 1/8 HP-125 VAC; 1/4 HP-250 VAC 1/2A-125 VDC; 1/4A-250 VDC CODE L74 CE 1.5A, 240 Vac	UNLESS OTHERWISE NOTED
DIFFERENTIAL TRAVEL-----.002 MAX		DIMENSIONS ARE IN INCHES
OVERTRAVEL-----.219 MIN		TOLERANCES ARE:
BASIC SWITCH REPLACEMENT-----BZ-2RN713		ONE PLACE (.0) \pm .030 TWO PLACE (.00) \pm .015 THREE PLACE (.000) \pm .005 ANGLES
		WEIGHT .56 LB