

MICRO SWITCH

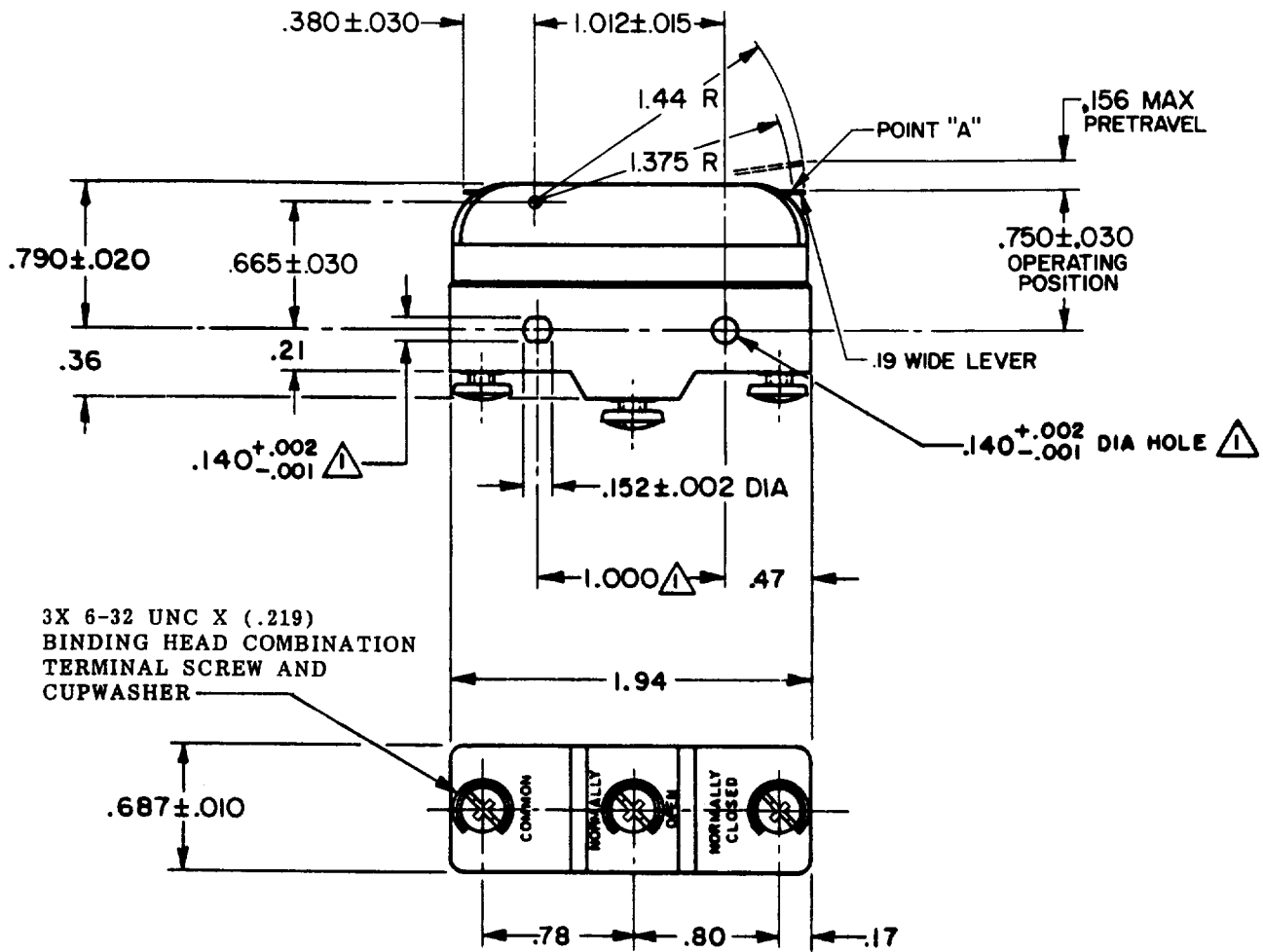
FREEPORT ILLINOIS, U.S.A
A DIVISION OF HONEYWELL
FED. MFG. CODE 9 1929

SWITCH-BASIC

CATALOG LISTING

BZ-RW84414-A2

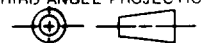
CATALOG LISTING
BZ-RW84414-A2
 PAGE 1 OF 1
 ISSUE **M**
 3
 REVISIONS
 A CO-73287-J
 J A L
 22 NOV 93
 B 203155
 CSL
 24 MAY 01
 RASTER
 FO-52848-A
 DRAWN
 K P K123 JUN 75
 CHECK
 REPLACES
 PR-5073
 CHECK



NOTE -
 1 - MOUNTING HOLES WILL ACCEPT PINS OR SCREWS OF .139 MAX. DIA. ON 1.000 ± .002 CENTERS
 2 - FORCES MEASURED WITH LEVER IN VERTICAL POSITION AT POINT "A" WITH CONTACT END OF SWITCH DOWN

THIS DRAWING COVERS A PROPRIETARY ITEM AND IS THE PROPERTY OF MICRO SWITCH, A DIVISION OF HONEYWELL. THIS DRAWING IS NOT TO BE COPIED OR USED WITHOUT THE APPROVAL OF MICRO SWITCH.

THIRD ANGLE PROJECTION



CHARACTERISTICS AT POINT "A"

OPERATING FORCE-----10 GRAM MAX 2

DIFFERENTIAL TRAVEL-----.002-.009

OVERTRAVEL-----.125 MIN

ELECTRICAL DATA

CONTACT ARRANGEMENT
S P D T

L103 15A 125, 250 OR 480 VAC
1/8HP 125 VAC, 1/4HP 250 VAC

L288
L299
L306



16A 250V ~ T85 5E4

SCALE FULL

DO NOT SCALE PRINT

TOLERANCES

APPLY TO DESIGN UNITS. CONVERSIONS ARE ONLY FOR REFERENCE. UNLESS NOTED, TOLERANCES ARE ±

	DIM. mm	TOL. mm/in	DIM. in	TOL. mm/in
NO PLACES	X	1/.04	X	0.8/.03
ONE PLACE	X,X	0.4/.016	X,X	0.38/.015
TWO PLACES	X,XX	0.16/.008	X,XX	0.13/.005
THREE PLACES	X,XXX		X,XXX	

DESIGN UNITS SI METRIC US CUSTOMARY

WEIGHT .073 LB.