

X11179-BZ

REPLACES

PR-23849

PAGE 1 OF 1

CATALOG LISTING

BZ-RW842214-P4

M

ISSUE **4**

REVISIONS

A C095480

TSM
28 SEP 99

B 0001190

JLH
20AUG03

C 0018004

TSG
20 JAN 06

CHECK

20 JAN 06

RJ

CHECK

9 MAR 99

JAF

CHECK

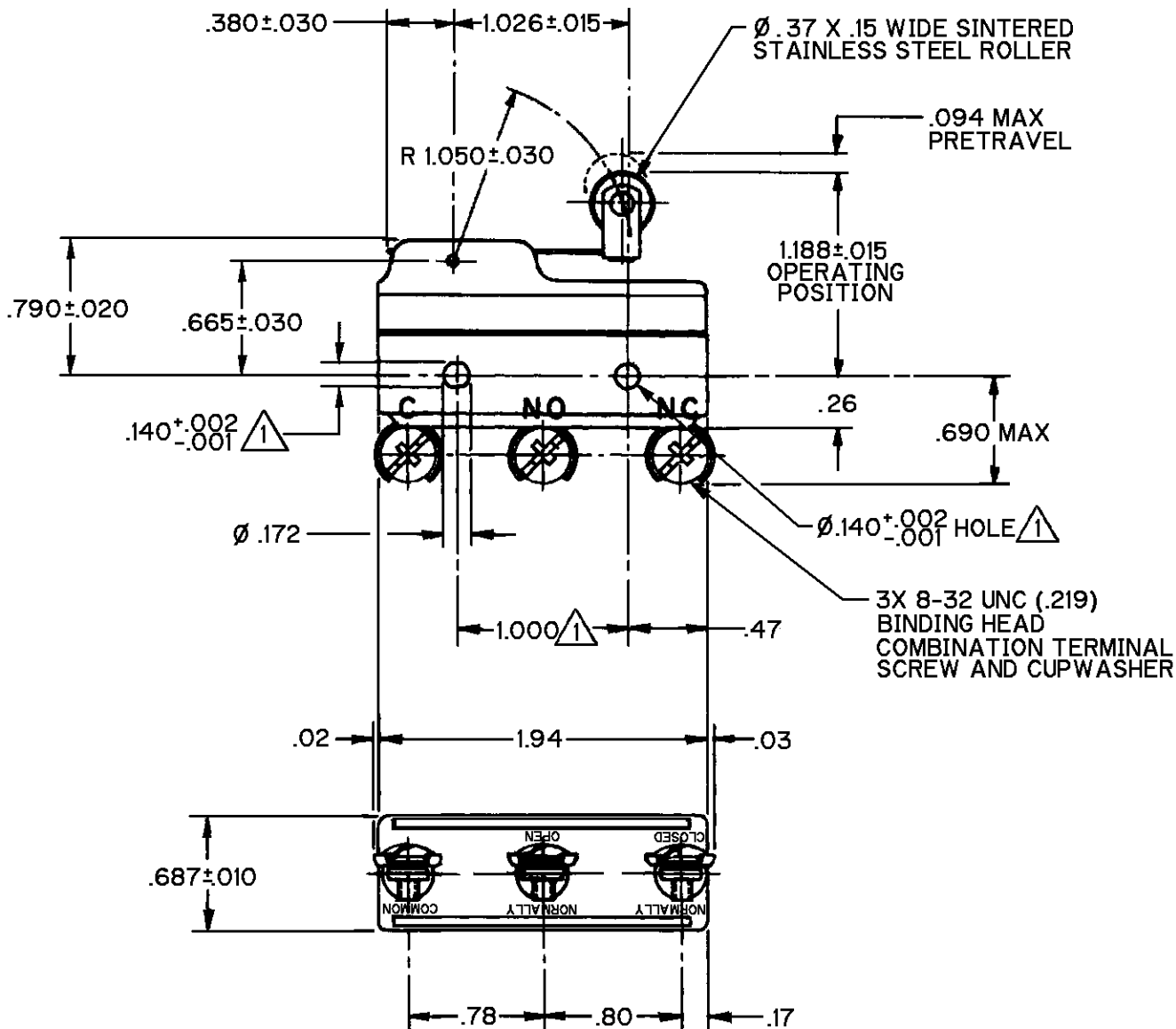
9 MAR 99

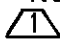
DLT

9 MAR 99

RASTER

DRAWN

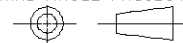


NOTE
 MOUNTING HOLES WILL ACCEPT PINS OR SCREWS OF Ø .139 MAX ON 1.000±.002 CENTERS

ANSI Y14.5M-1982 APPLIES

THIS DRAWING COVERS A PROPRIETARY ITEM AND IS THE PROPERTY OF MICRO SWITCH, A DIVISION OF HONEYWELL. THIS DRAWING IS NOT TO BE COPIED OR USED WITHOUT THE APPROVAL OF MICRO SWITCH.

THIRD ANGLE PROJECTION



CHARACTERISTICS

OPERATING FORCE----- 2 OZ MAX

RELEASE FORCE----- 1/4 OZ MIN

DIFFERENTIAL TRAVEL----- .001-.006

OVERTRAVEL----- .094 MIN

ELECTRICAL DATA

CONTACT ARRANGEMENT
SPDT

L103 15A - 125, 250 OR 480 VAC
1/8HP - 125 VAC; 1/4HP - 250 VAC

L288
L306
L315



16A 250V ~ T85 5E4

SCALE **FULL**

DO NOT SCALE PRINT

UNLESS OTHERWISE SPECIFIED TOLERANCES ARE

ONE PLACE (.0) ±.030

TWO PLACE (.00) ±.015

THREE PLACE (.000) ±.005

ANGLES ±

WEIGHT **.076 LB**