

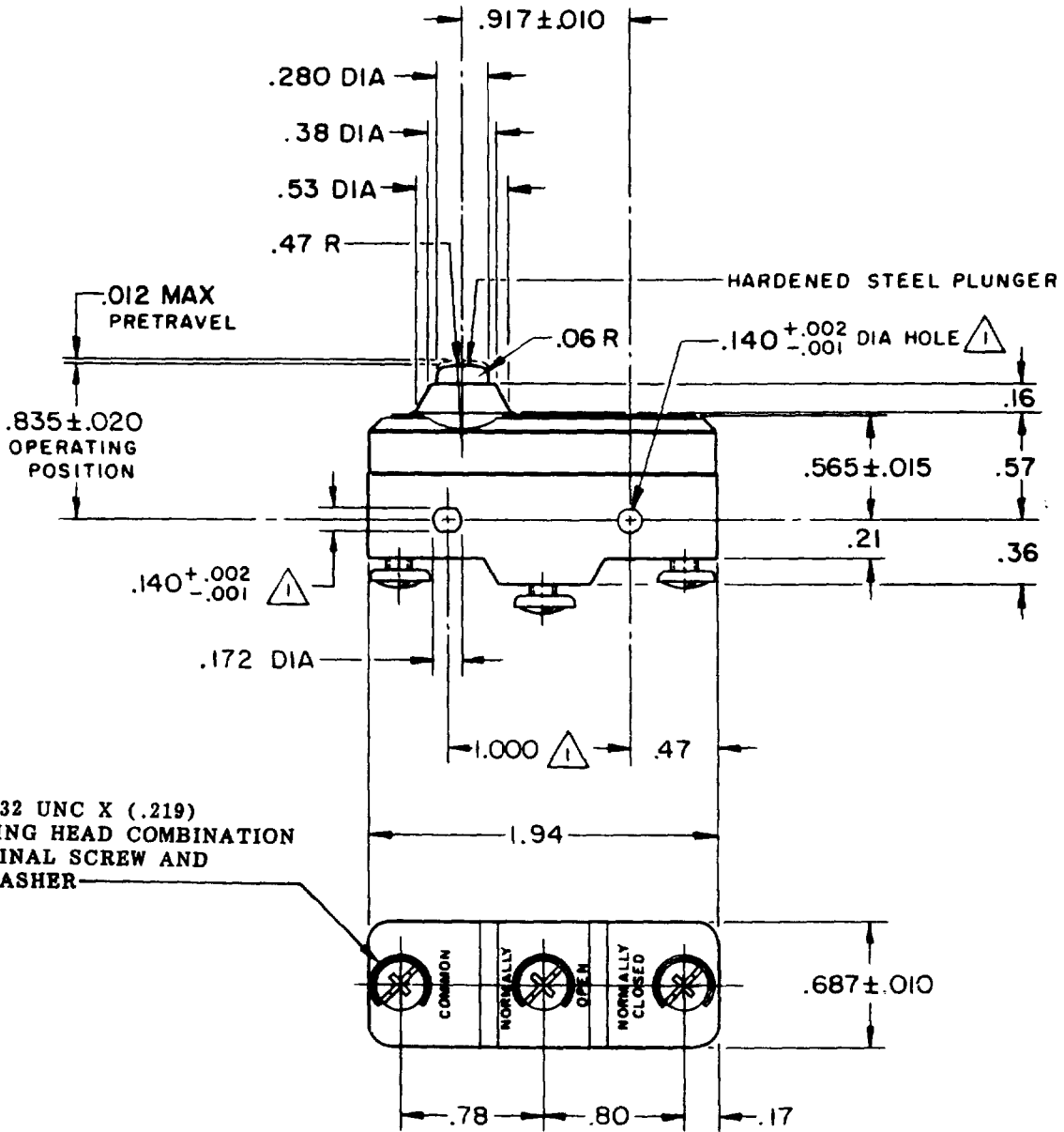


MICRO SWITCH
 FREEPORT, ILLINOIS, U.S.A.
 A DIVISION OF HONEYWELL
 FED. MFG. CODE 91929

SWITCH - BASIC

CATALOG LISTING
BZ-RD-A2

CATALOG LISTING
BZ-RD-A2
 PAGE 1 OF 1
 ISSUE **M**
 7
 REVISIONS
A CO 15200 W L K 18 MAR 64
B 2023645 M B F 22 JAN 68
C CO-73287-J J A L 22 NOV 93
D CO-77589 J A L 30 MAR 94
E 203155 CSL 24 MAY 01
 RASTER
 FO-20378
 DRAWN W L K 18 MAR 64
 CHECK DAW
 CHECK ZUMERG
 REPLACES
 RELEASE NO.



3X 6-32 UNC X (.219)
 BINDING HEAD COMBINATION
 TERMINAL SCREW AND
 CUPWASHER

NOTE -
 MOUNTING HOLES WILL ACCEPT PINS OR SCREWS
 OF .139 MAX DIA ON 1.000±.002 CENTERS

THIS DRAWING COVERS A PROPRIETARY ITEM AND IS THE PROPERTY OF MICRO SWITCH, A DIVISION OF MINNEAPOLIS-HONEYWELL REGULATOR CO. THIS DRAWING IS NOT TO BE COPIED OR USED WITHOUT THE APPROVAL OF MICRO SWITCH.

CHARACTERISTICS	ELECTRICAL DATA	SCALE FULL
OPERATING FORCE----- 6-9 1/2 OZ	CONTACT ARRANGEMENT S P D T	DO NOT SCALE PRINT
RELEASE FORCE----- 4 OZ MIN	L103 15A 125, <u>250</u> OR 480 VAC 1/8HP 125 VAC, 1/4HP <u>250</u> VAC	UNLESS OTHERWISE NOTED DIMENSIONS ARE IN INCHES
DIFFERENTIAL TRAVEL----- .0002-.0005	L288 L299 L306	TOLERANCES ARE: ONE PLACE (.0) ±.030 TWO PLACE (.00) ±.015 THREE PLACE (.000) ±.005 ANGLES ±
OVERTRAVEL----- .060 MIN	CE 16A 250V ~ T85 5E4	WEIGHT .064 LB



MICRO SWITCH

FREEPORT, ILLINOIS, U.S.A.
A DIVISION OF HONEYWELL

FED. MFG. CODE 91929

SWITCH-BASIC

CATALOG LISTING

BZ-RD-A2

REPLACES

RELEASE NO.

M BZ-RD-A2

DRAWING NUMBER

ISSUE **3** 6

CHECK

REVISIONS

A	CO-15200	W L K	18 MAR 64
B	CO-023645	M B F	22 JAN 69
C	CO-73287-J	J A L	22 NOV 93
D	CO-77589	J A L	30 MAR 94

CHECK

21 MAR 64

DAW

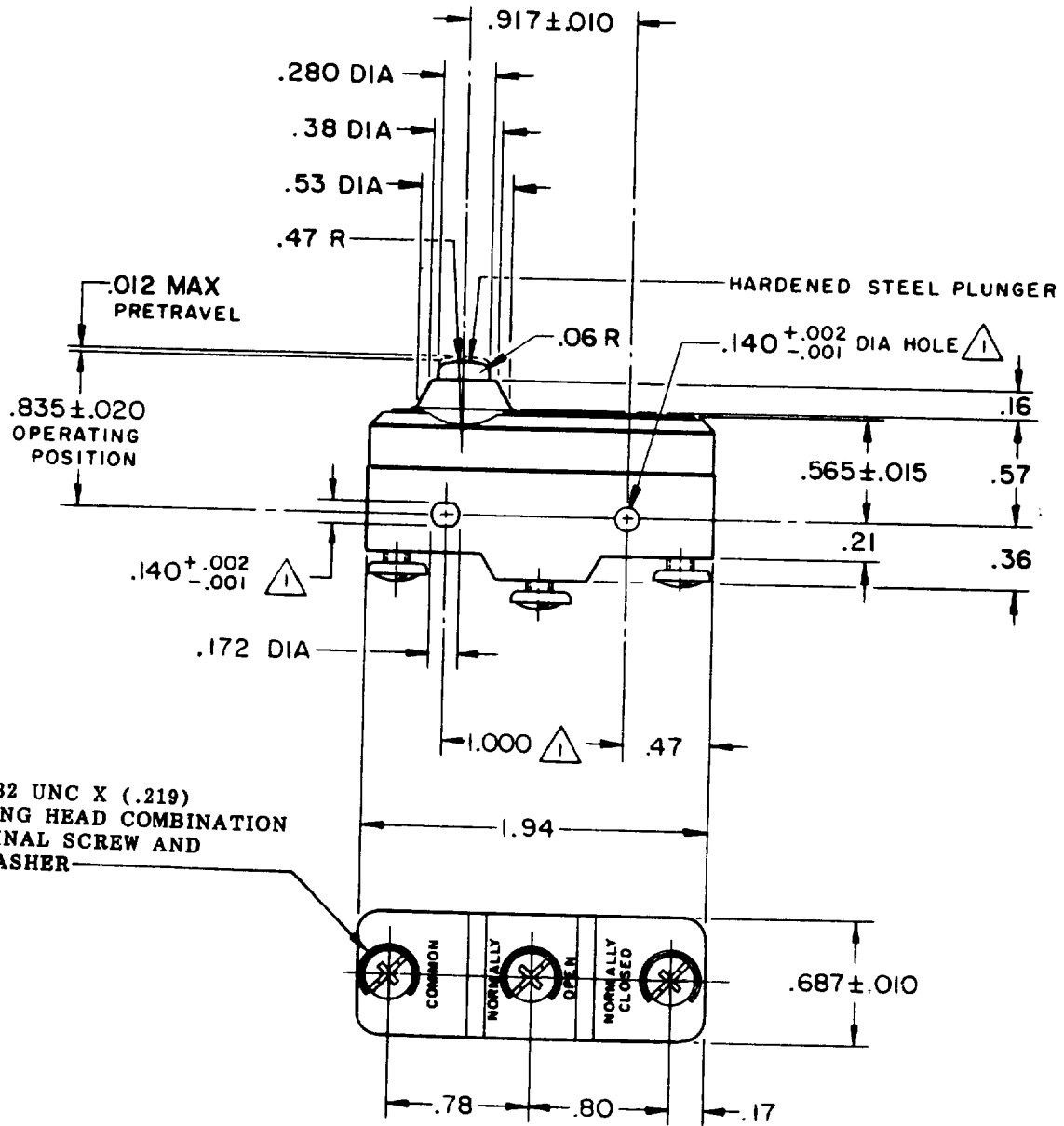
CHECK

18 MAR 64

FO-80378

DRAWN

W L K



NOTE -
 MOUNTING HOLES WILL ACCEPT PINS OR SCREWS OF .139 MAX DIA ON 1.000 ± .002 CENTERS

THIS DRAWING COVERS A PROPRIETARY ITEM AND IS THE PROPERTY OF MICRO SWITCH, A DIVISION OF MINNEAPOLIS-HONEYWELL REGULATOR CO. THIS DRAWING IS NOT TO BE COPIED OR USED WITHOUT THE APPROVAL OF MICRO SWITCH.

CHARACTERISTICS

OPERATING FORCE----- 6-9 1/2 OZ

RELEASE FORCE----- 4 OZ MIN

DIFFERENTIAL TRAVEL----- .0002-.0005

OVERTRAVEL----- .060 MIN

ELECTRICAL DATA

CONTACT ARRANGEMENT
S P D T

UNDERWRITERS' LAB. INC. LISTED RATING
 -L103- 15 A-125, 250 OR 480 VAC
 1/8 HP-125 VAC; 1/4 HP-250 VAC



SCALE FULL

DO NOT SCALE PRINT

UNLESS OTHERWISE NOTED

DIMENSIONS ARE IN INCHES

TOLERANCES ARE:

ONE PLACE (.0) ±.030
 TWO PLACE (.00) ±.015
 THREE PLACE (.000) ±.005
 ANGLES ±

WEIGHT .064 LB