

**MICRO SWITCH**  
a Honeywell Division

FED. MFG. CODE 91 929

SWITCH - BASIC

CATALOG LISTING  
**BZ-R370-P5**

X102120-BZ

REPLACES

RELEASE NO. PR-23061

CATALOG LISTING

**BZ-R370-P5**

**M**

ISSUE

1

CHECK

REVISIONS


CHECK

97

2 OCT

SAV

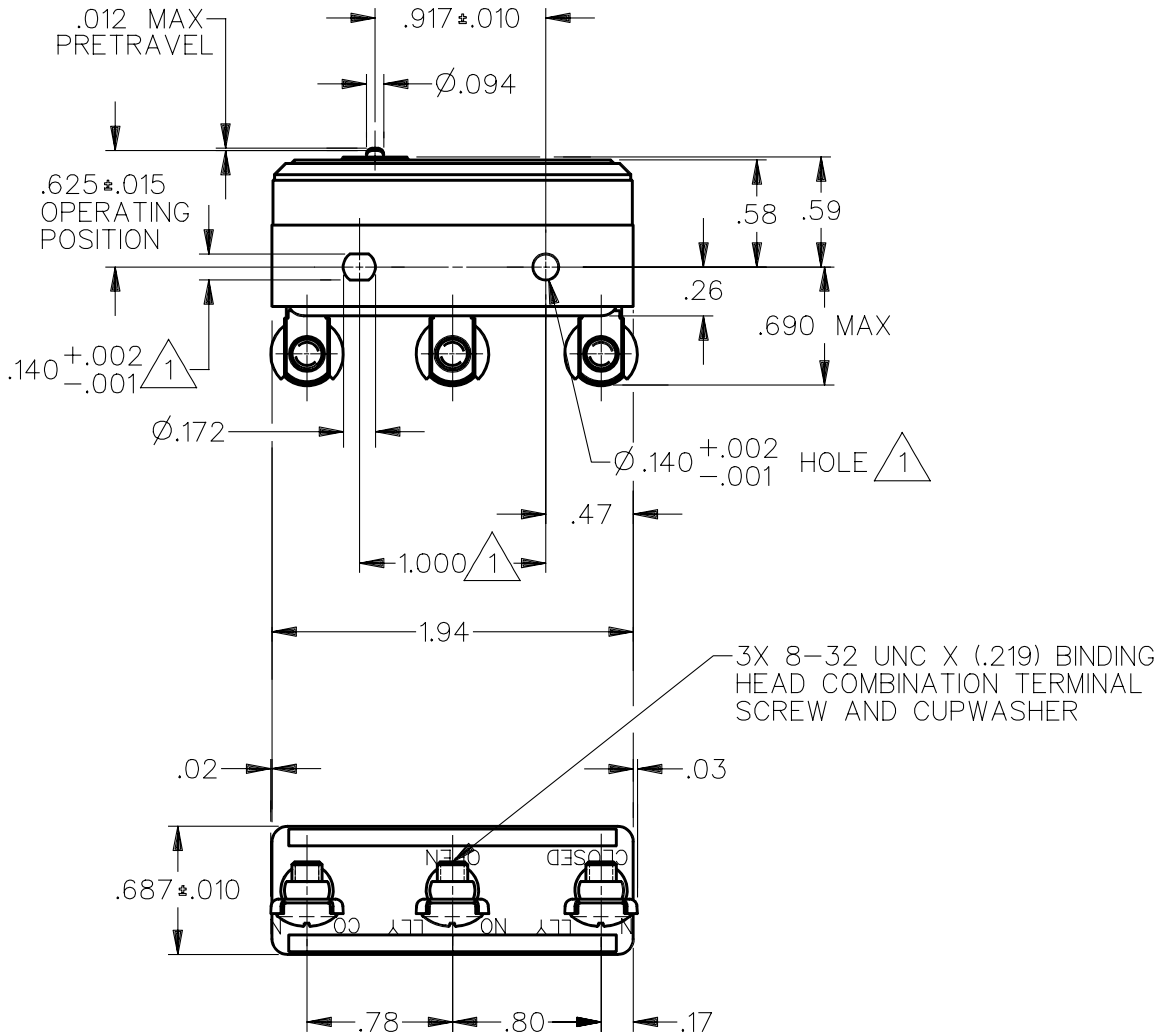
CHECK

97

2 OCT

DDM/CAD

DRAWN

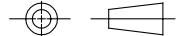


NOTES  
 1 MOUNTING HOLES WILL ACCEPT PINS OR SCREWS OF Ø.139 MAX ON 1.000 ± .002 CENTERS

ANSI Y14.5M-1982 APPLIES

THIS DRAWING COVERS A PROPRIETARY ITEM AND IS THE PROPERTY OF MICRO SWITCH, A DIVISION OF HONEYWELL. THIS DRAWING IS NOT TO BE COPIED OR USED WITHOUT THE APPROVAL OF MICRO SWITCH.

THIRD ANGLE PROJECTION



CHARACTERISTICS	ELECTRICAL DATA	SCALE FULL	DO NOT SCALE PRINT
OPERATING FORCE --- 7.2-10.2 OZ	CONTACT ARRANGEMENT S P D T	<b>UNLESS OTHERWISE SPECIFIED TOLERANCES ARE</b>	
RELEASE FORCE - - - - - 4 OZ MIN	L103 15A 125, <u>250</u> OR 480 VAC 1/8HP 125, 1/4HP <u>250</u> VAC	ONE PLACE (.0) ±.030	
DIFFERENTIAL TRAVEL---.00015-.00060		TWO PLACE (.00) ±.015	
OVERTRAVEL - - - - - .005 MIN		THREE PLACE (.000) ±.005	
		ANGLES ±	
		WEIGHT .060 LB	

