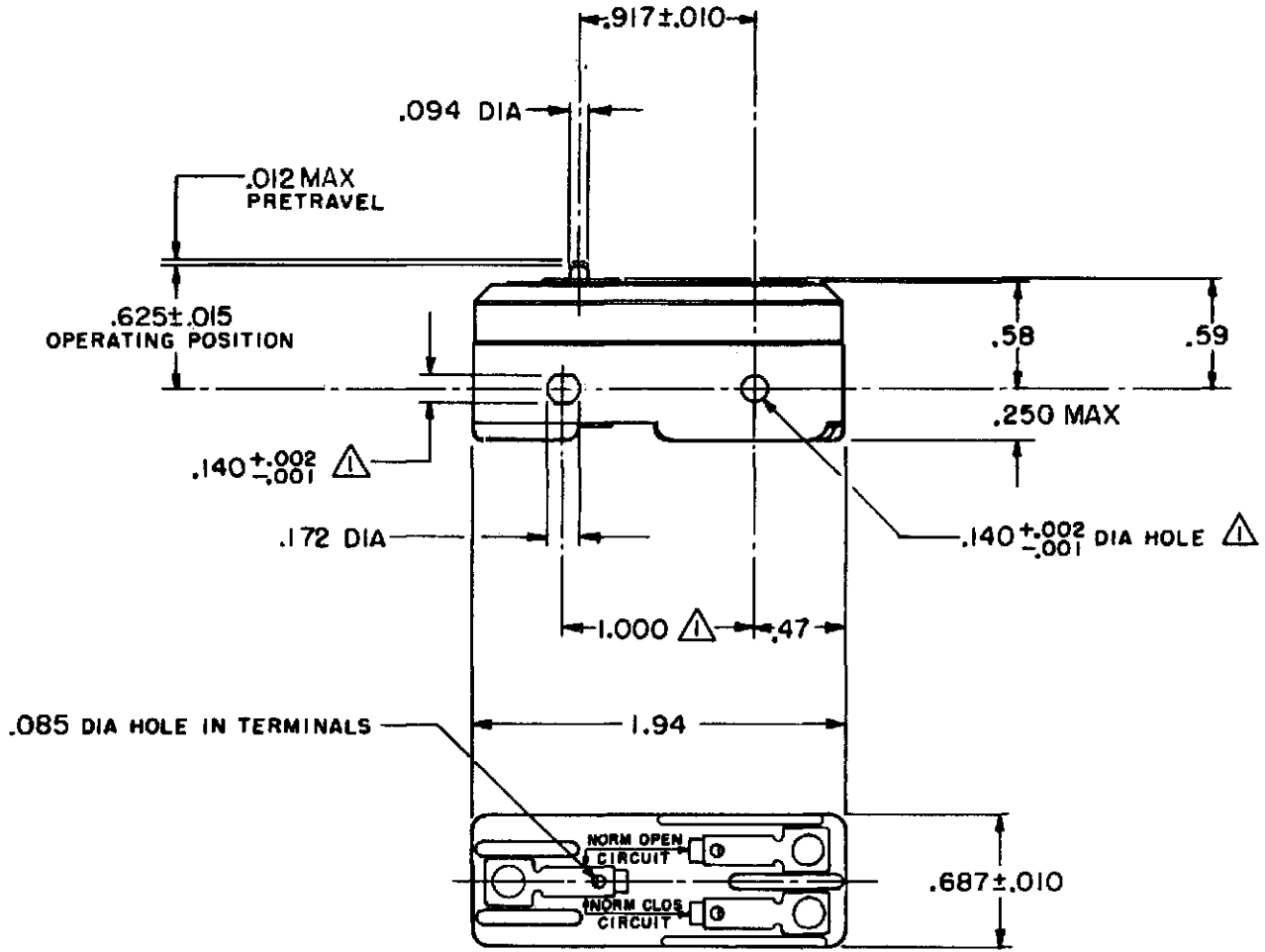


CATALOG LISTING
 BZ-R
 PAGE 1 OF 1
 RELEAS NO.
 ISSUE 16
 REVISIONS
 A CO-94212-J
 JJA 4 OCT 99
 CHECK
 S AV 4 OCT 99
 CHECK
 JJA 4 OCT 99
 DRAWN
 FORMTEK



NOTE
 MOUNTING HOLES WILL ACCEPT PINS OR SCREWS ON .139 MAXIMUM DIAMETER ON 1.000±.002 CENTERS

THIS DRAWING COVERS A PROPRIETARY ITEM AND IS THE PROPERTY OF MICRO SWITCH, A DIVISION OF HONEYWELL. THIS DRAWING IS NOT TO BE COPIED OR USED WITHOUT THE APPROVAL OF MICRO SWITCH.

THIRD ANGLE PROJECTION

CHARACTERISTICS
OPERATING FORCE ----- 7 - 9 OZ
RELEASE FORCE ----- 4 OZ MIN
DIFFERENTIAL TRAVEL -- .00020-.00035
OVERTRAVEL ----- .005 MIN

ELECTRICAL DATA
CONTACT ARRANGEMENT
L103
15A 125, 250 OR 480 VAC
1/8HP 125 VAC, 1/4HP 250 VAC

SCALE	FULL	DO NOT SCALE PRINT
UNLESS OTHERWISE SPECIFIED TOLERANCES ARE		
ONE PLACE	(.0)	±.030
TWO PLACE	(.00)	±.015
THREE PLACE	(.000)	±.005
ANGLES		±
WEIGHT	.05 LB	

